



SENEBOGEN



PRELIMINARY

**HIGH-
PERFORMANCE
DEMOLITION AND
DISMANTLING**

DEMOLITION MACHINES



13 – 36 M

CONTENTS



OUR DEMOLITION MACHINES

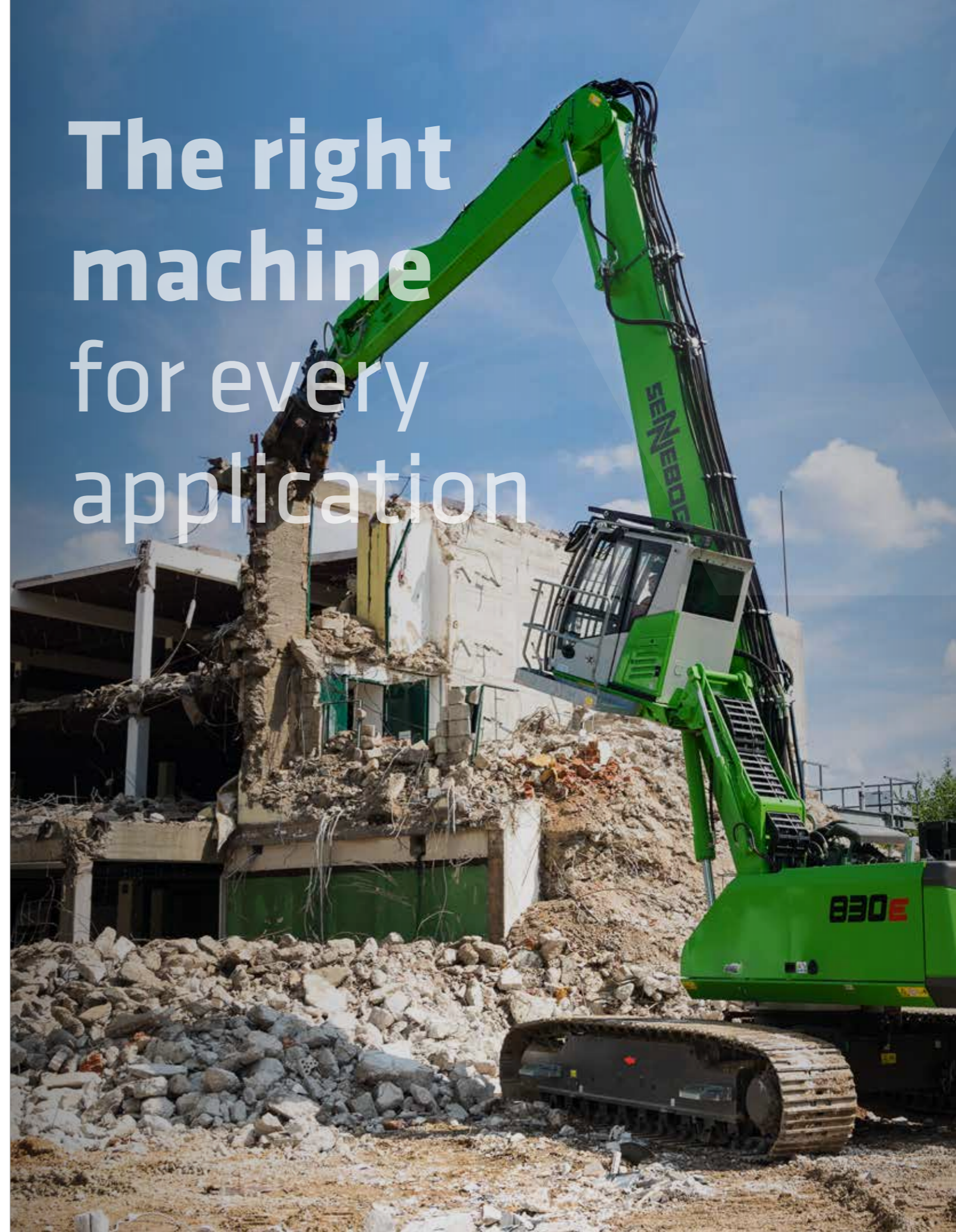
Take advantage of our demolition solutions for efficient and precise work on cramped construction sites and at heights.

- 04** APPLICATIONS >
- 08** BENEFITS OF SENNEBOGEN DEMOLITION MACHINES >

- 20** PRODUCT OVERVIEW >
- 48** VARIETY FOR DEMOLITION >
- 54** ABOUT SENNEBOGEN >
- 58** SERVICE AND TRAINING >

Information and operation reports on the topic of demolition can also be found at

www.sennebogen.com



Precise use even in confined spaces

Demolition work is often carried out in urban areas to create space for new construction projects.

Urban demolition sites have special requirements. The working area is often limited and the machines used must have special features. SENNEBOGEN demolition machines are ideally equipped for this work.

ECO-FRIENDLY
AND QUIET
THANKS TO
THE LATEST
TECHNOLOGY



FLEXIBLE

Once in place, the SENNEBOGEN demolition machines hardly need to be moved at all thanks to the 360° mode, the flexible cab and the optional quick-changer for equipment. The mobile version offers even more flexibility.

SPACE-SAVING DESIGN

Thanks to compact dimensions, telescopic crawler undercarriage and intelligent self-assembly systems, transport and operation can be mastered just as easily as the use in confined spaces.

LOW EMISSIONS

The machines are fuel-efficient, eco-friendly and quiet thanks to powerful engines configured to the latest standards – a major advantage when dismantling in inner city areas.

STABLE

The telescopic crawler undercarriage ensures maximum stability and safety on site. The tilting and elevating cab also offers an optimal overview.

Demolition recycling protects the environment and resources



CONTRIBUTION TO SUSTAINABILITY

Demolition recycling makes an important contribution to sustainable and resource-conserving operations.

STATE-OF-THE-ART DISMANTLING

Thanks to the innovative technology, long reach and performance of the hydraulic machines, even solid structures can be selectively dismantled and the rubble sorted on site.

SAVES TIME AND COSTS

Selective dismantling and sorting on site are essential in modern demolition projects for time and financial reasons.

DEMOLITION AND RECYCLING GROWING TOGETHER

Pre-sorted construction waste (e.g. soil, sand, brick) can be recycled for the most part. Disposal or further processing is significantly more cost-effective than mixed waste.

01 FOCUS ON SAFETY

Thanks to sophisticated features, SENNEBOGEN demolition machines offer maximum safety inside and outside the cab.



» *“Our special machine equipment enables safe working in demolition: for example, with the unique elevating and tilting cabs with optimal overview and the stable, telescopic crawler undercarriage for a maximum outrigger area.”*

ALEXANDER STURM
Head of Business Unit Demolition

GUARDS ON PISTON RODS AND CYLINDERS

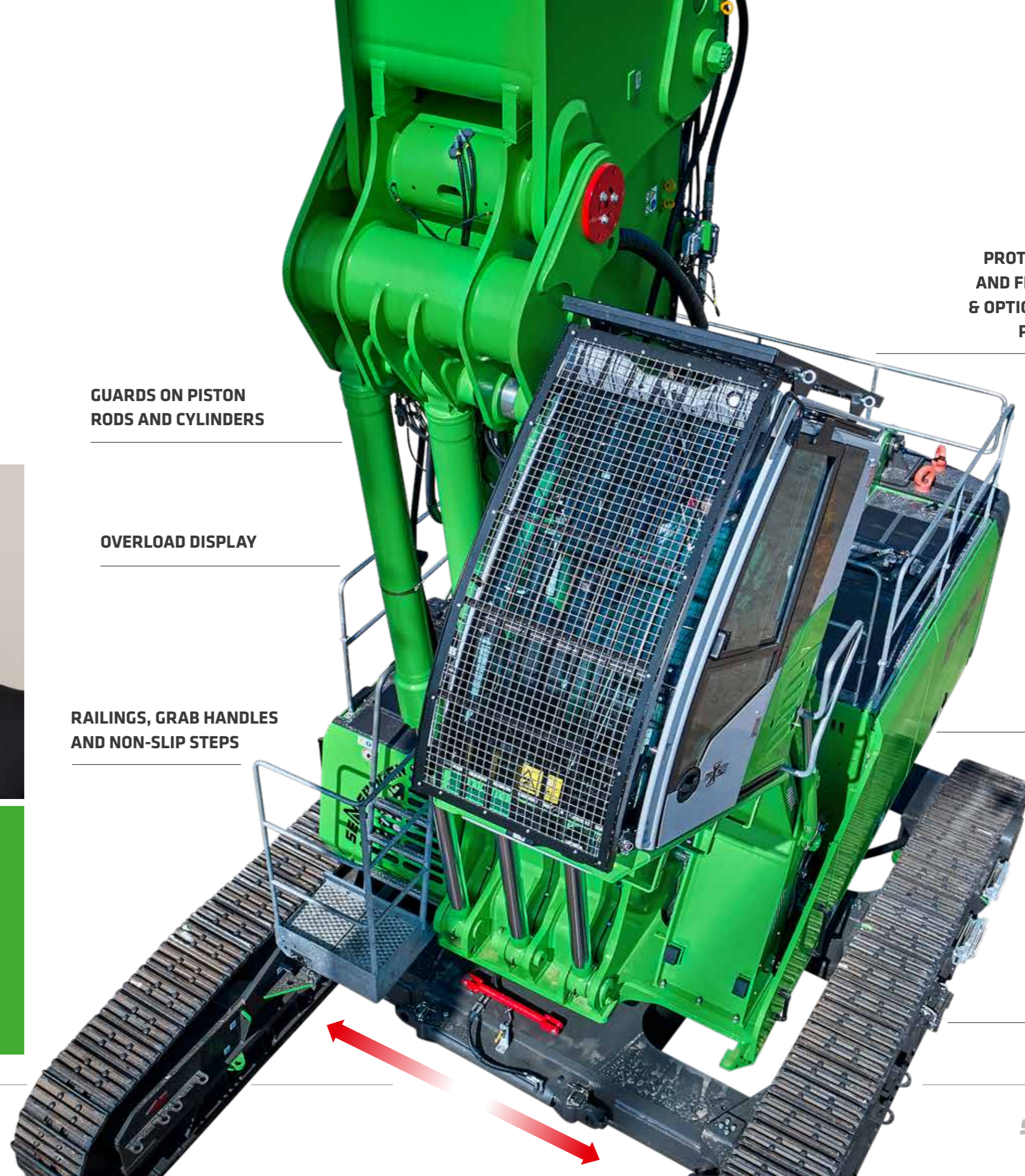
OVERLOAD DISPLAY

RAILINGS, GRAB HANDLES AND NON-SLIP STEPS

PROTECTIVE ROOF AND FRONT GUARD & OPTIONAL BULLET PROOF GLASS

ELEVATING CAB TILTABLE UP TO **30°**

HIGH STABILITY THANKS TO TELESCOPIC UNDERCARRIAGE



02 MODULAR DESIGN - VERSATILE SOLUTIONS



SPECIAL REQUIREMENTS? WE HAVE THE SOLUTION.

With the tried-and-tested SENNEBOGEN modular system, we create the machine that suits you best - perfectly tailored to your application.

/// We have already equipped your basic machine according to the required standards in demolition and dismantling.

/// You can choose between different equipment depending on the desired application area and the required reach height.

/// With additional options such as chain scraper, sprayer or Maxcab Industry, you get exactly the demolition machine you need.

POSSIBLE EQUIPMENT CONFIGURATIONS



K = Compact boom ULM = Equipment with tipping kinematics AB = Demolition equipment

03 FLEXIBLE AND VERSATILE

MACHINES WITH EQUIPMENT REACH UP TO 36 METERS - FITS ALL YOUR GRABS AND EQUIPMENT

Do you already have one or more pieces of equipment? SENNEBOGEN's demolition machines adapt to your requirements and are suitable for a wide range of equipment thanks to their high performance.

In many cases, you only need one machine for several demolition tasks – and save on transport costs and emissions.



Demolition grab



Demolition hammer



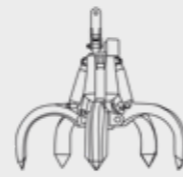
Pulverizer



Demolition shears



Clamshell grab



Orange peel grab

The tools shown are possible examples. Customers will make their own selection.



ALL-ROUND SERVICE FOR YOUR DEMOLITION PROJECT

Whether selecting the right machine for your equipment or fitting the equipment with a quick-change system: **Your SENNEBOGEN demolition expert will be happy to advise you.**

OPTIONS



Quick-changer: Equipment can be changed in short order when the machine is needed for flexible use in sorting and loading materials like rubble, cables or pipes.



Tool control: The volume and pressure of up to ten tools can be conveniently adjusted from the cab.

	PERFORMANCE DATA		
	825 DEMOLITION MOBILE & CRAWLER	830 DEMOLITION CRAWLER	870 DEMOLITION CRAWLER
MAX. SYSTEM PRESSURE	340 bar		345 bar
MAX. VOLUME FLOW (CLOSE GRAB)	320 l/min		420 l/min
MAX. VOLUME FLOW (OPEN GRAB)	285 l/min		385 l/min

04 QUALITY IN SERIES FOR DEMANDING TASKS



LONG SERVICE LIFE, HIGH VALUE RETENTION

Robust, precision crafted steel design and long-lasting hydraulic components.

SIMPLE TO MAINTAIN AND SERVICE

Manageable technology and no over-engineering, ideal accessibility to all components.

SOPHISTICATED, STATE-OF-THE-ART TECHNOLOGY

In the 6th generation – decades of experience in designing and constructing material handling and demolition machines.

ENVIRONMENTALLY FRIENDLY OPERATION

State-of-the-art engine, drive and emission systems in line with the latest technology standards (stage V)



05 MAINTENANCE AND SERVICE MADE EASY



KEEP IT SIMPLE. TECHNOLOGY THAT CAN BE MASTERED.

All service points are clearly arranged and easily accessible. The SENCON control system supports you with diagnostics. So your machine is back in action more quickly.



Reliable and practical technology



Stay independent and easily take care of your machine yourself



A central electrical distribution board and electronic modules simplify maintenance

06 DRIVING POSITION: BETTER SAFETY. MAXIMUM COMFORT.



Everything in view

Excellent all-round view and upward visibility. Safety thanks to roof and protective front guard and optional bullet proof glass. The tilt adjustment by up to 30° and the cab elevation provide an optimal overview of the demolition site.

Intuitive controls

The intuitive **SENCON** control system shows all relevant information and possibilities for action and thus actively supports you in your work with the machine.

For your health

The back-friendly comfort seat, adjustable armrests, joysticks that sit comfortably in the hand, and the optimally arranged controls and noise reduction make daily work as easy as possible. The automatic heating/air conditioning with optimum air flow guarantees a pleasant indoor climate all year round.



Elevating cab,
tiltable
up to
30°

07 PRACTICAL TRANSPORT

Transport your demolition machine quickly and cost-effectively from one demolition project to the next – thanks to intelligent transport concepts in one to three parts, depending on the machine type and configuration.



Small transport widths thanks to telescopic undercarriage



Compact

Low transport widths and weights guarantee cost-effective transport.



Cost-efficient

All machines can be transported on a low-loader. The larger demolition machines can be moved in three parts (870: standard, 830: optional for AB23 equipment).



Saves time

Fully hydraulic quick-change systems for the equipment and self-assembly systems for ballast unloading and loading enable rapid deployment on site.



870 Demolition: Removable counterweight reduces transport weight



Optional counterweight with remote control for 825 + 830 Demolition



Transport of the three-part equipment in the transport frame (870 Demolition: standard, 830 Demolition: optional)

THE RIGHT SOLUTION FOR EVERY DEMOLITION TASK



817E 822G 824G

825E DEMOLITION 825E DEMOLITION 830E DEMOLITION 870E DEMOLITION



OPERATING WEIGHT

17.2 t – 26.3 t



RANGE

9 – 13 m



MAXIMUM PIN HEIGHT

12 m

14 m

17 / 23 m

33 / 36 m



ENGINE

100 kW – 123 kW (Stage V)

129 kW (Stage V)

129 kW (Stage V)

186 kW (Stage V)

298 kW (Stage V)



AREA OF USE

Easy-to-transport, flexible multifunctional machines for sorting and selective dismantling. Ideal for loading trucks and containers and for pulverizing.

Mobile and particularly flexible multifunctional machine for a wide range of tasks in dismantling and sorting. Suitable for driving on roads. High stability thanks to outriggers.

Multifunctional machine for sorting and crushing building rubble. High stability thanks to telescopic crawler undercarriage.

Precise and versatile multifunctional machine with excellent sorting performance. High stability thanks to telescopic crawler undercarriage.

Strong and particularly stable demolition machine with long-front equipment for particularly high altitudes. High stability thanks to telescopic crawler undercarriage.



TRANSPORT

Easy to transport with a low-loader. No need to dismantle the equipment. Direct unloading at the place of use without any further set-up work means that the machine is ready for use right away.

Easy to transport with a low-loader. No need to dismantle the equipment. Direct unloading at the place of use without any further set-up work means that the machine is ready for use right away.

Easy to transport with a low-loader in one to three parts, depending on the configuration. Ready for use quickly thanks to intelligent self-assembly systems.

Easy transport in three units. Intelligent self-assembly system with ballast shelf.

The flexible.



The mobile demolition machine is particularly maneuverable and flexible. The perfect companion for demolition and sorting tasks in confined spaces, for example in the city.

BENEFITS



FLEXIBLE

- Can be driven on roads thanks to tires
- Use of a wide variety of equipment



STABLE

- Stable and robust thanks to outriggers
- High load capacity with 360° swivel range



COMPACT

- Perfect for demolition and sorting tasks in the most confined spaces



28.5 t operating weight



129 kW engine (Stage V)



13 m max. pin height

Transport dimensions and load ratings on request.

The all-rounder.

825E
DEMOLITION CRAWLER

The space-saving all-rounder for use in selective dismantling. Ideal for sorting and dismantling tasks.



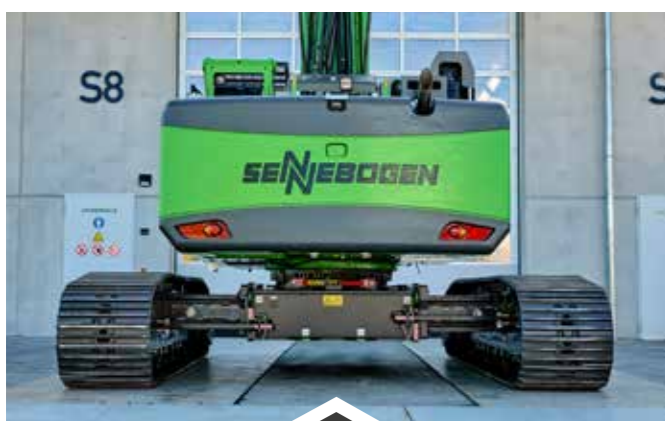
ALL-IN-ONE

- Sorting machine with high handling capacity
- Also suitable for demolition and dismantling work
- Use of a wide variety of equipment



SPACE-SAVING

- Use on urban construction sites
- Particularly advantageous in confined spaces



SAFE WORKING

- Stable, telescopic crawler undercarriage
- High load capacity with 360° swivel range



READY TO USE RIGHT AWAY

- Transport in one piece with low-loader: no need to dismantle the equipment
- Ready for use immediately without setup work



38 t operating weight



129 kW engine (Stage V)



15 m max. pin height

Transport dimensions and load ratings on request.

The versatile.

830E DEMOLITION CRAWLER

The medium-sized SENNEBOGEN demolition machine combines multi-functionality with high performance and is just as suitable for confined, urban construction sites as it is for demolition projects at greater heights.



MAXIMUM POWER FOR DISMANTLING AND SORTING

- Combines the advantages of a robust demolition machine with high handling speed and compact dimensions
- Powerful and precise hydraulic system

BENEFITS



SAFE WORKING

- Maximum stability thanks to telescopic crawler undercarriage
- High load capacity with 360° swivel range



EASY TO TRANSPORT

- Transport as a whole or optionally in up to three machine parts
- The transport weight can be reduced by approx. 10 tons via remote control thanks to the optional counterweight



- 48 t operating weight
- 186 kW engine (Stage V)
- 18 / 23 m max. pin height

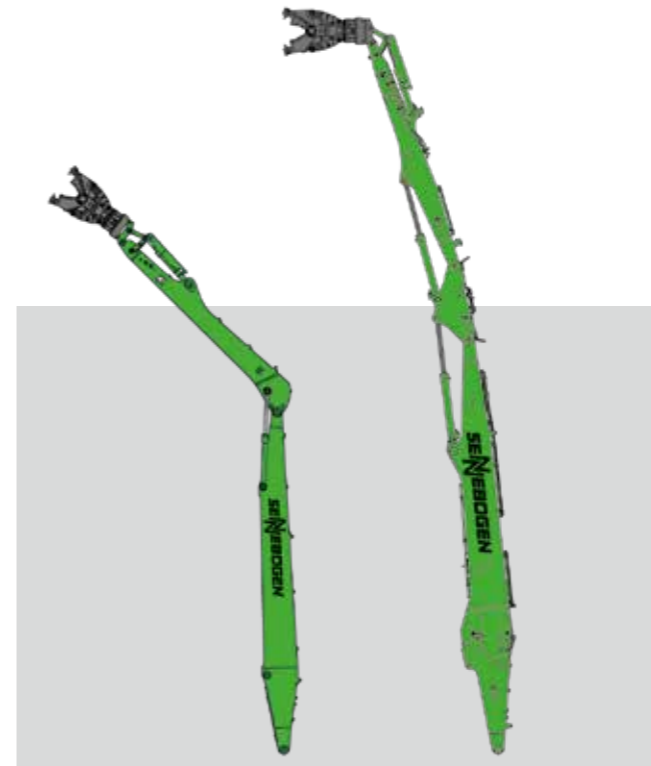
**OPTION:
EVEN MORE
FLEXIBILITY
AND REACH**

**NEW
EQUIPMENT
OPTION: AB23**



23 m

MAXIMUM BOLT HEIGHT



01 CHOOSE

- Available with two equipment options in different lengths and versions and therefore suitable for a wide range of applications.

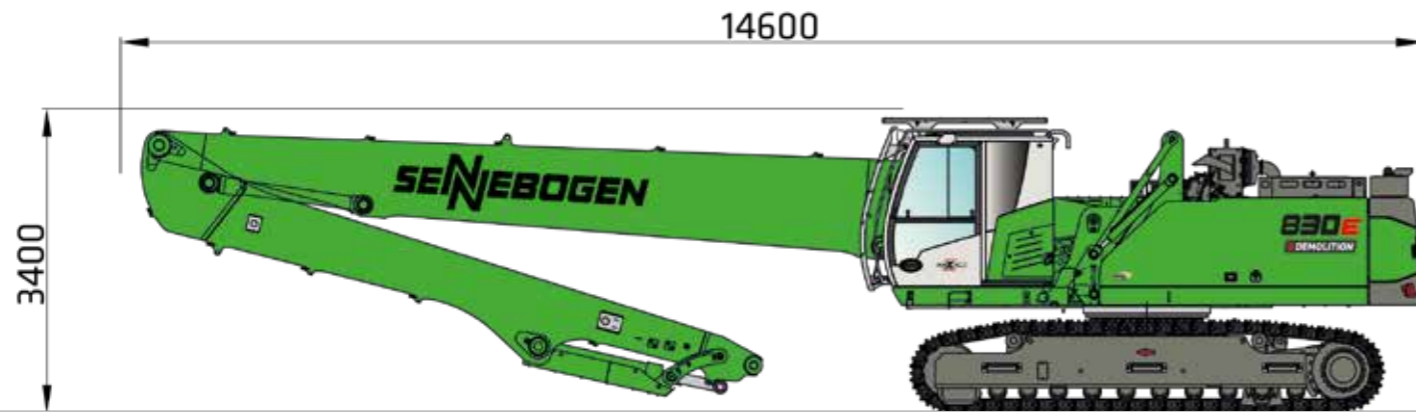
02 LOAD

- The optional fully hydraulic quick change system for the equipment can be conveniently operated from the cab.
- The equipment is loaded at the push of a button.

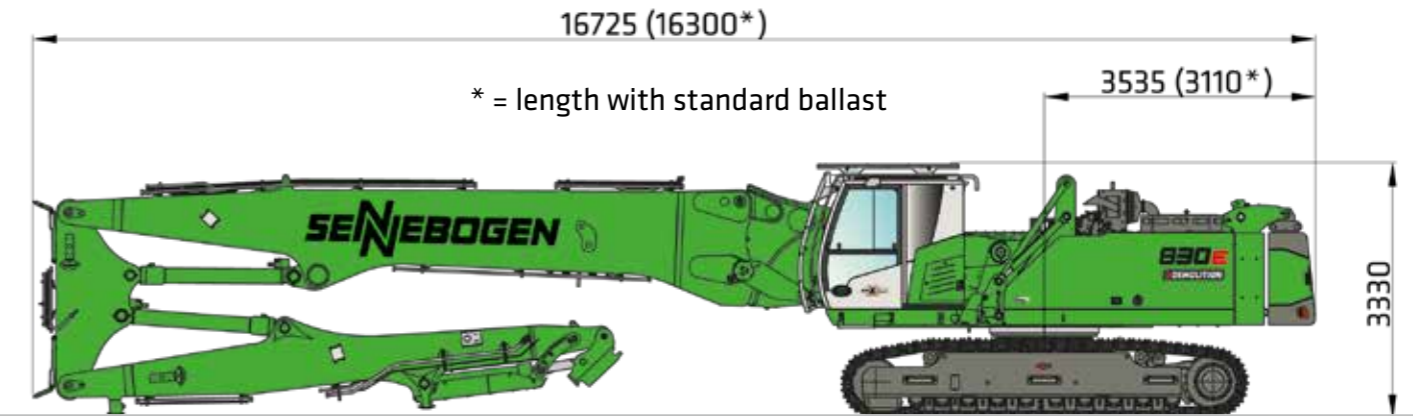
03 EFFICIENT AND SAFE DEMOLITION

- With the AB23 three-part equipment, you gain even more reach for precise dismantling of buildings at great heights.
- The special three-part construction allows for an increased safety distance from the building.
- Overcome projecting edges with the intermediate joint.

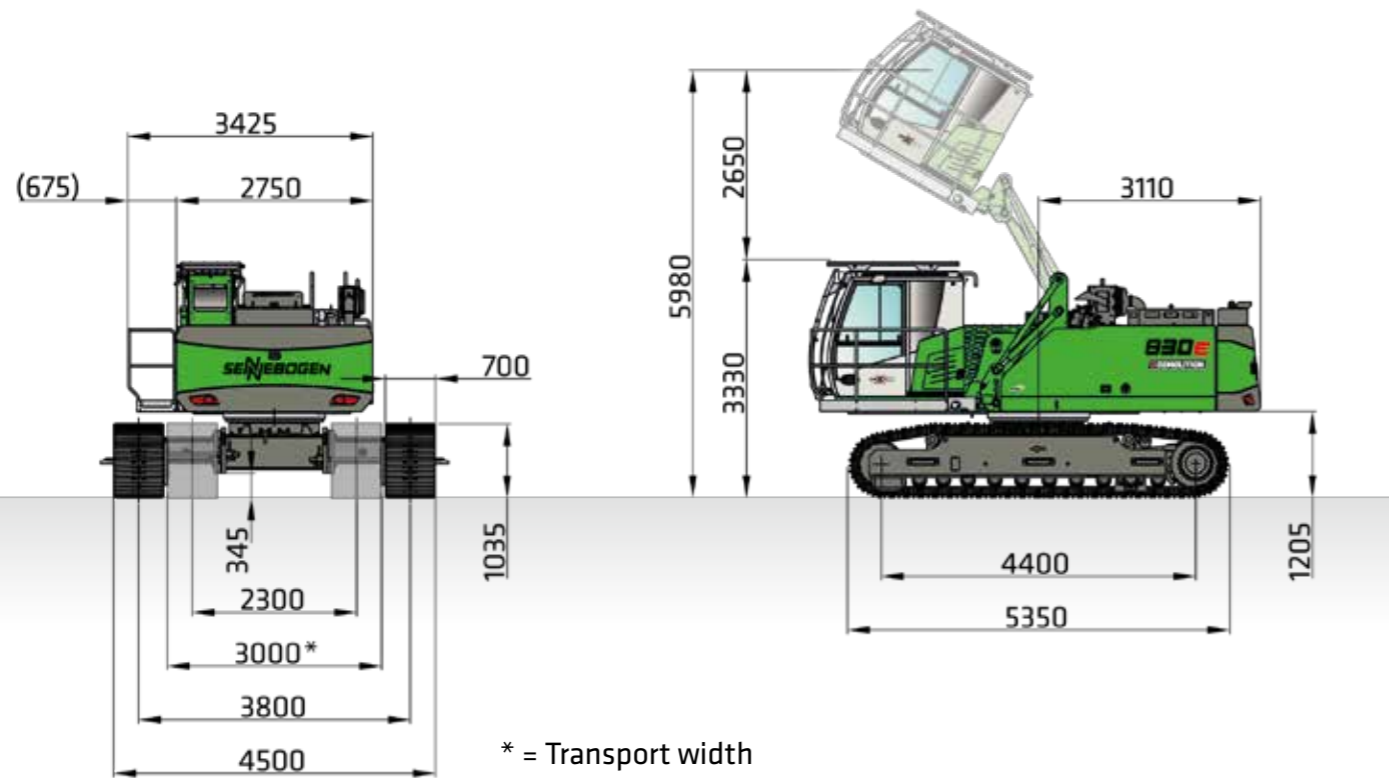
TRANSPORT DIMENSIONS



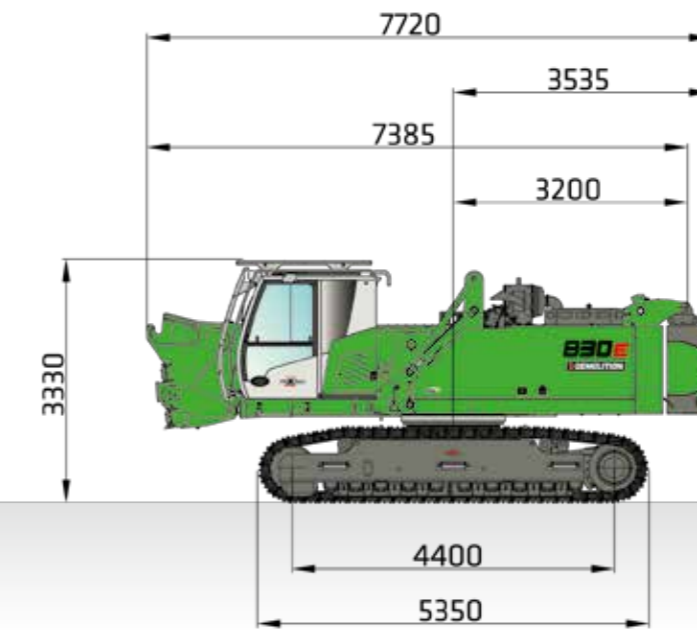
830 DEMOLITION WITH T41/380 UNDERCARRIAGE AND K17 ULM EQUIPMENT, HYDRAULICALLY ELEVATING MAXCAB, TILTABLE UP TO 30°, OPERATING WEIGHT APPROX. 45 T



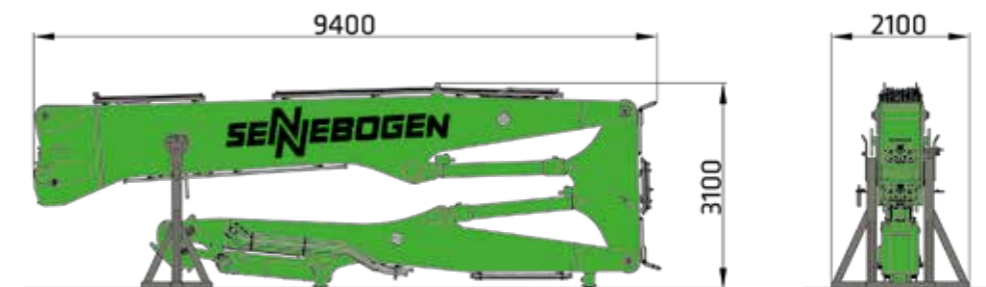
830 DEMOLITION WITH T41/380 UNDERCARRIAGE AND AB23 3-PART DEMOLITION EQUIPMENT (OPTION), HYDRAULICALLY ELEVATING MAXCAB, TILTABLE UP TO 30° AND FULLY HYDRAULICALLY UNLOADABLE COUNTERWEIGHT (OPTION), OPERATING WEIGHT APPROX. 48 T



830 DEMOLITION BASIC MACHINE FOR K17 ULM EQUIPMENT INCL. COUNTERWEIGHT, HYDRAULICALLY ELEVATING MAXCAB, TILTABLE UP TO 30°, TELESCOPIC UNDERCARRIAGE, TRANSPORT WEIGHT APPROX. 37.5 T INCL. COUNTERWEIGHT APPROX. 10 T



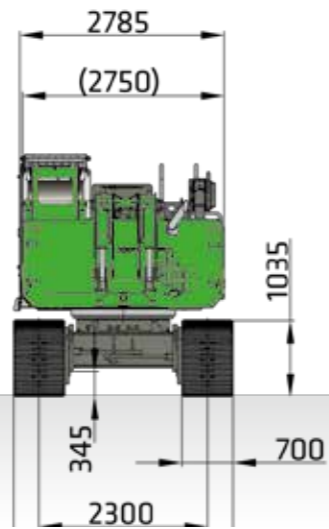
830 DEMOLITION BASIC MACHINE, OPTIONAL FULLY HYDRAULIC QUICK CHANGE SYSTEM FOR AB23 EQUIPMENT INCL. COUNTERWEIGHT, TRANSPORT WEIGHT APPROX. 40 T INCL. COUNTERWEIGHT APPROX. 10 T



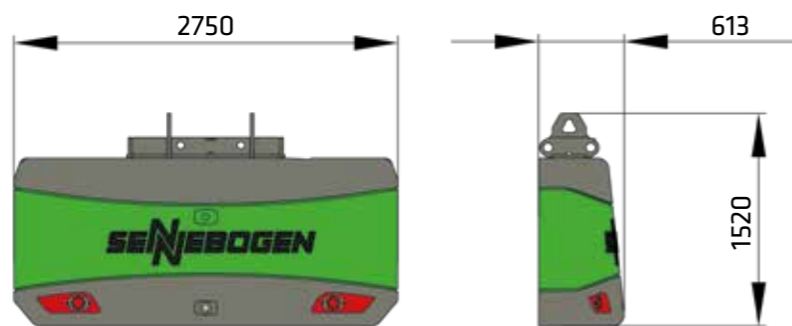
AB23 3-PART DEMOLITION EQUIPMENT WITH TRANSPORT FRAME APPROX. 8.5 T



FULLY HYDRAULIC SELF-ASSEMBLY SYSTEM
FOR COUNTERWEIGHT UNLOADING/LOADING VIA REMOTE CONTROL



830 DEMOLITION BASIC MACHINE WITHOUT COUNTERWEIGHT,
WITH FULLY HYDRAULIC SELF-ASSEMBLY SYSTEM



FULLY HYDRAULICALLY UNLOADABLE COUNTERWEIGHT, APPROX. 10 T

LOAD RATINGS



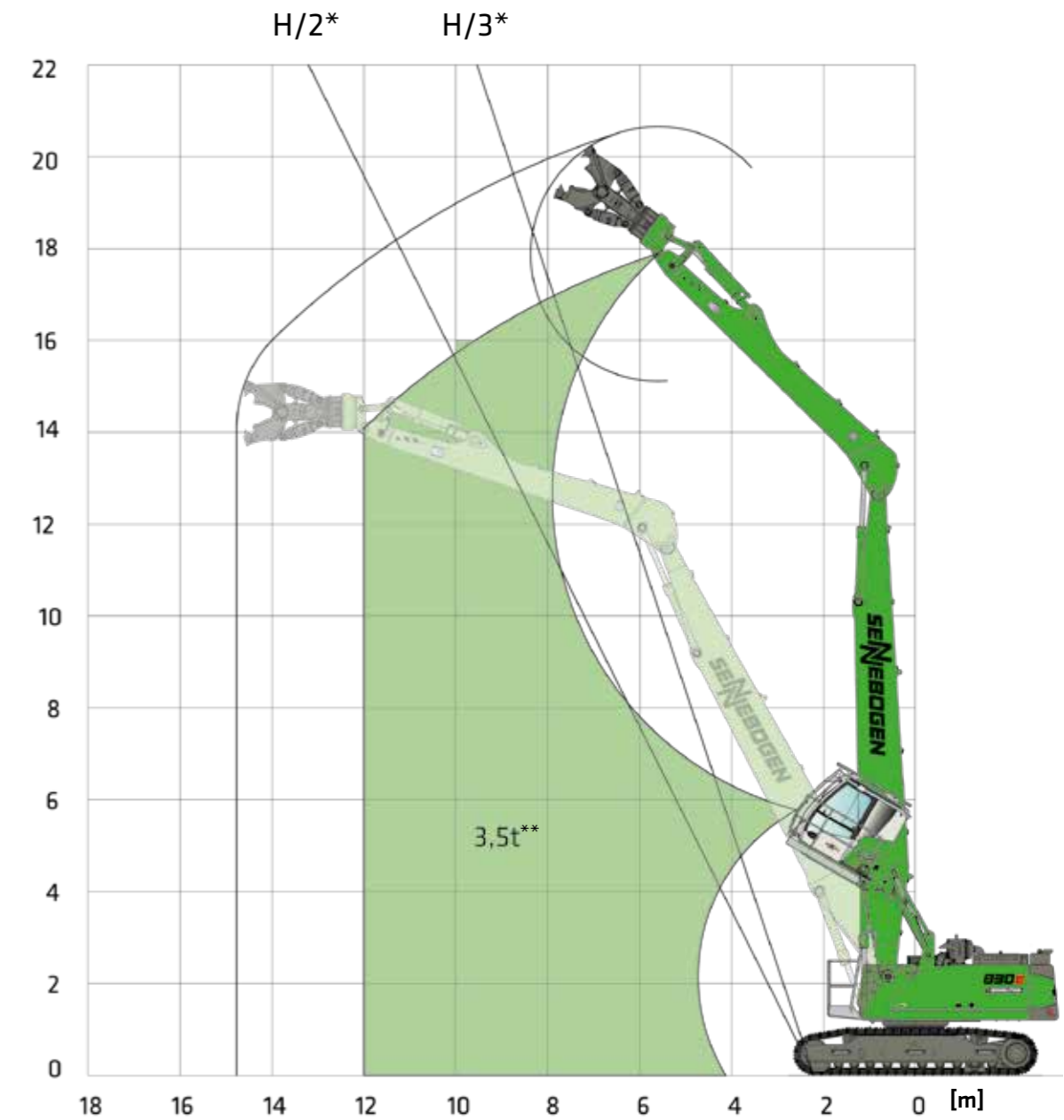
T41/380



10.5 m compact boom
7.1 m grab stick



E270 Maxcab,
hydraulically elevating, tiltable by 30°



* Please note the safety distance according to BGV C22 between the machine and the demolition object (H=demolition height).

** Demolition tool up to max. 3.5 t weight plus quick-changer with a weight up to max. 650 kg.

Notes:

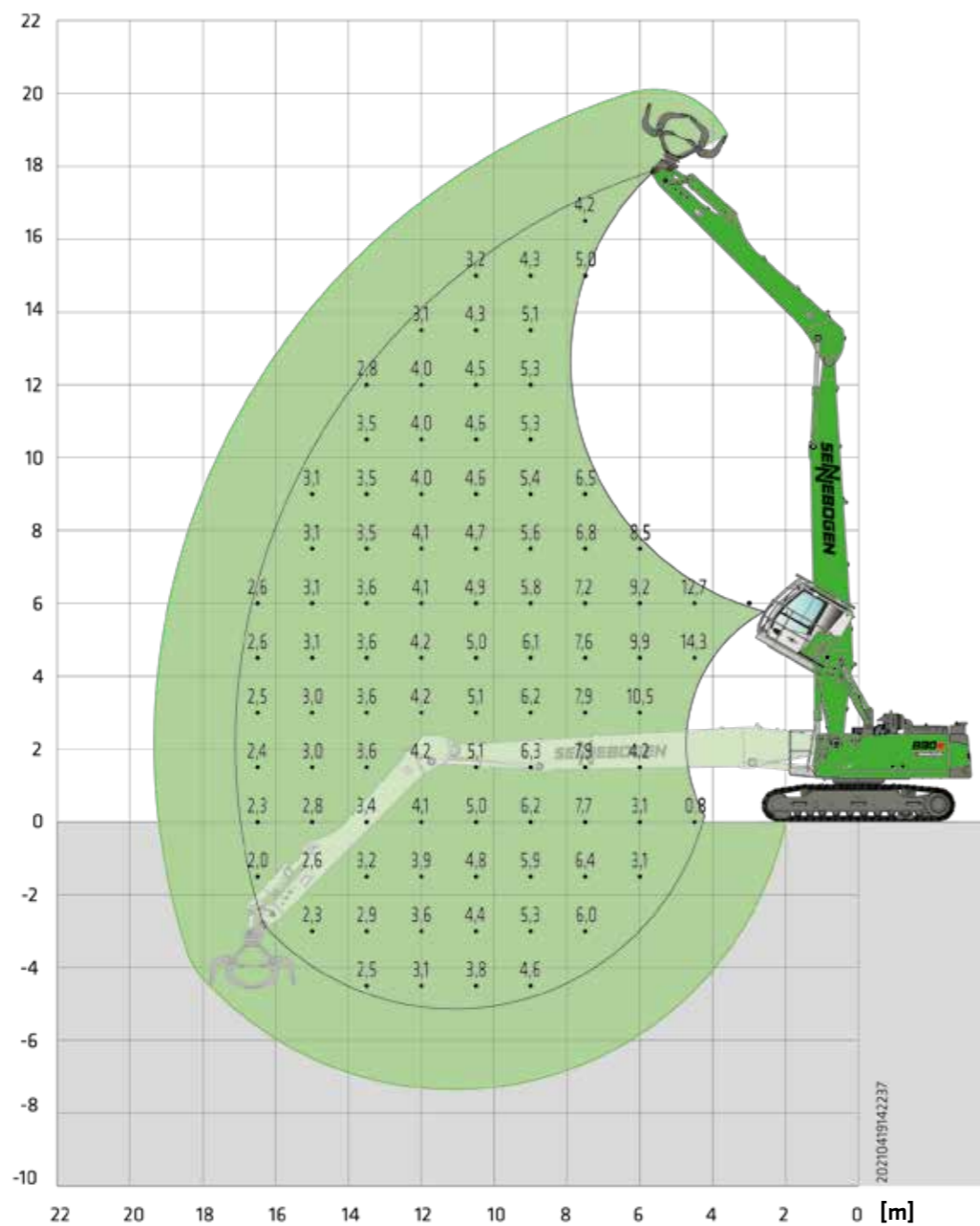
All load ratings are given in tons (t) brought to bear at the end of the stick, without tools on firm level ground. Working tools such as grab, magnet, load hook, etc. are included in the specified load ratings. The stated values are 75% of the static tipping load and 87% of the hydraulic lifting force according to ISO10567. According to EU standard EN 474/5, hydraulic material handlers used for hoisting must be equipped with a pipe rupture safety device on lifting and stick cylinders and an overload warning device. The specified load ratings apply to maximum track width and 360° slewing.

LOAD RATINGS



10.5 m compact boom
7.1 m grab stick

E270 Maxcab,
hydraulically elevating, tiltable by 30°

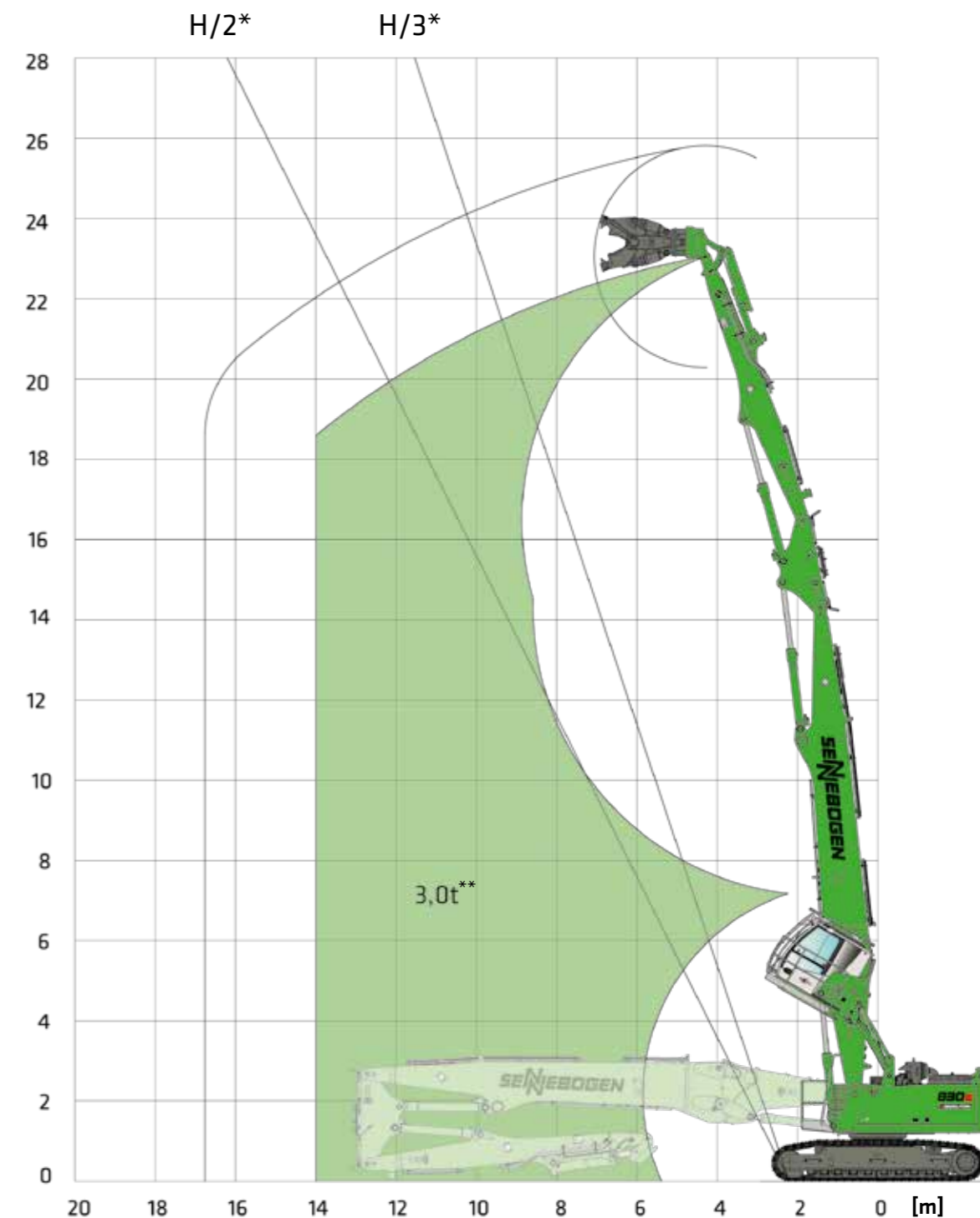


Notes:
All load ratings are given in tons (t) brought to bear at the end of the stick, without tools on firm level ground. Working tools such as grab, magnet, load hook, etc. are included in the specified load ratings. The stated values are 75% of the static tipping load and 87% of the hydraulic lifting force according to ISO10567. According to EU standard EN 474/5, hydraulic material handlers used for hoisting must be equipped with a pipe rupture safety device on lifting and stick cylinders and an overload warning device. The specified load ratings apply to maximum track width and 360° slewing.



9.4 m compact boom
7.8 m grab stick
3.1 m boom section

E270 Maxcab,
hydraulically elevating, tiltable by 30°



* Please note the safety distance according to BGV C22 between the machine and the demolition object (H=demolition height).

** Demolition tool up to max. 3 t weight plus quick-changer with a weight up to max. 650 kg.

Notes:
All load ratings are given in tons (t) brought to bear at the end of the stick, without tools on firm level ground. Working tools such as grab, magnet, load hook, etc. are included in the specified load ratings. The stated values are 75% of the static tipping load and 87% of the hydraulic lifting force according to ISO10567. According to EU standard EN 474/5, hydraulic material handlers used for hoisting must be equipped with a pipe rupture safety device on lifting and stick cylinders and an overload warning device. The specified load ratings apply to maximum track width and 360° slewing.

The robust.

870E DEMOLITION CRAWLER

Maximum power and reach for demolition: The powerful demolition excavator with three-part long-front equipment is suitable for demanding demolition work at high altitudes and for handling large loads.

BENEFITS



POWERFUL

- High load capacity with swivel range of +/- 34°
- Powerful hydraulics incl. third hydraulic cylinder for attachments of up to 4 tons
- Maximum stability thanks to telescopic crawler undercarriage



PRECISION AT HIGH ALTITUDES

- Safe demolition of buildings with maximum bolt height of up to 36 meters
- Precise control for accurate grabbing and removal, even at high altitudes



FLEXIBLE

- All-rounder for various applications from dismantling to pre-sorting with optional quick-changer
- Intelligent self-assembly system: Attachment of rear ballast and boom without additional auxiliary cranes
- Transport in three machine parts with small transport width



117 t operating weight



298 kW engine (Stage V)

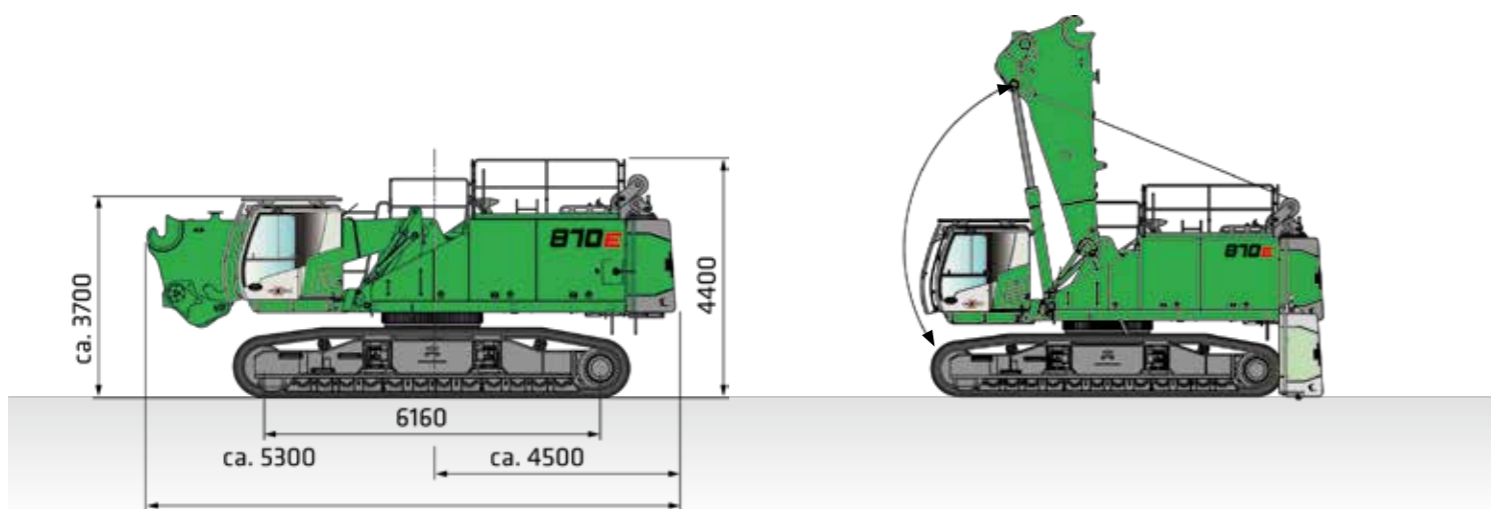


33/36 m max. pin height

TRANSPORT DIMENSIONS

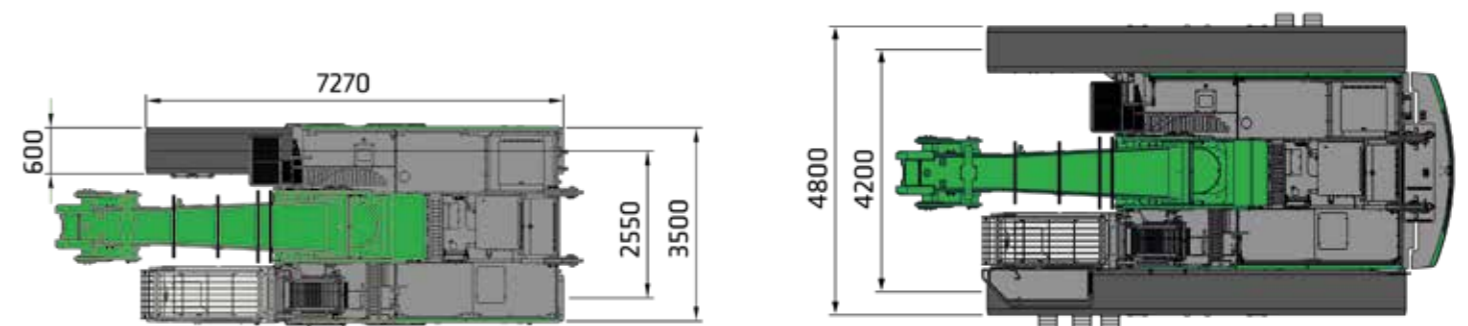


870 DEMOLITION WITH T102/420 UNDERCARRIAGE AND 3-PART DEMOLITION BOOM, HYDRAULICALLY ELEVATING MAXCAB, TILTABLE UP TO 30°, ULM OPERATING WEIGHT APPROX. 114 T - 117 T (WITHOUT TOOLS)



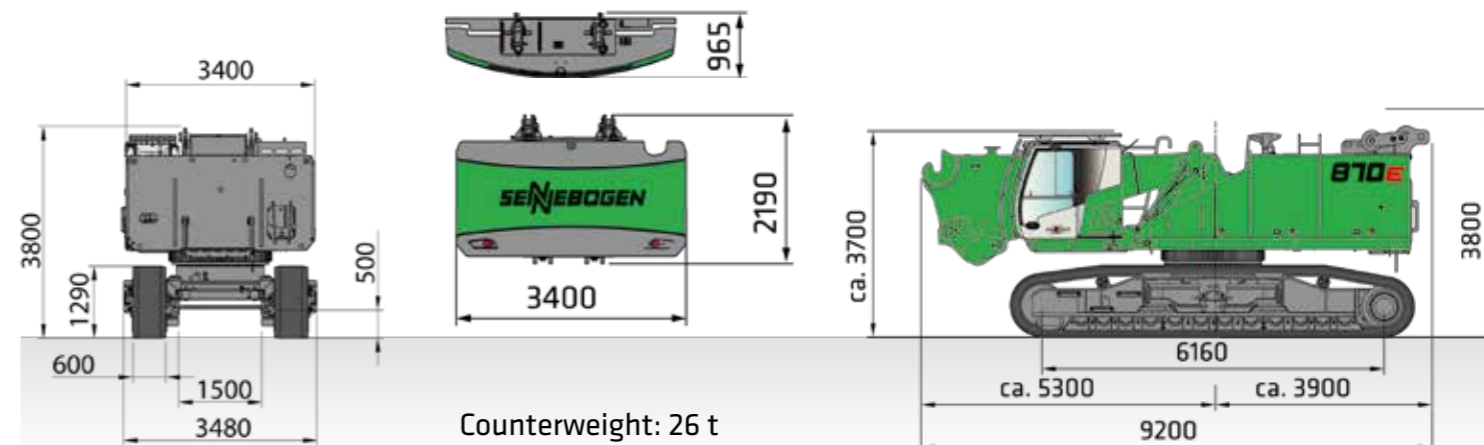
870 DEMOLITION BASIC MACHINE INCL. UPPERCARRIAGE RAILING AND COUNTERWEIGHT, TRANSPORT WEIGHT APPROX. 92 T INCL. COUNTERWEIGHT APPROX. 26 T

SELF-ASSEMBLY SYSTEM FOR BALLAST UNLOADING/LOADING



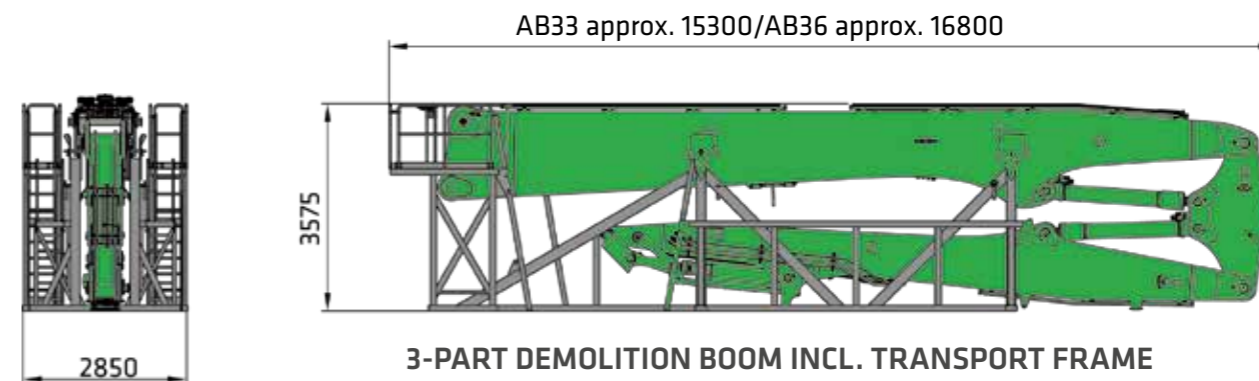
870 DEMOLITION BASIC MACHINE UNDERCARRIAGE RETRACTED WITHOUT COUNTERWEIGHT

870 DEMOLITION BASIC MACHINE UNDERCARRIAGE EXTENDED INCL. COUNTERWEIGHT



Counterweight: 26 t

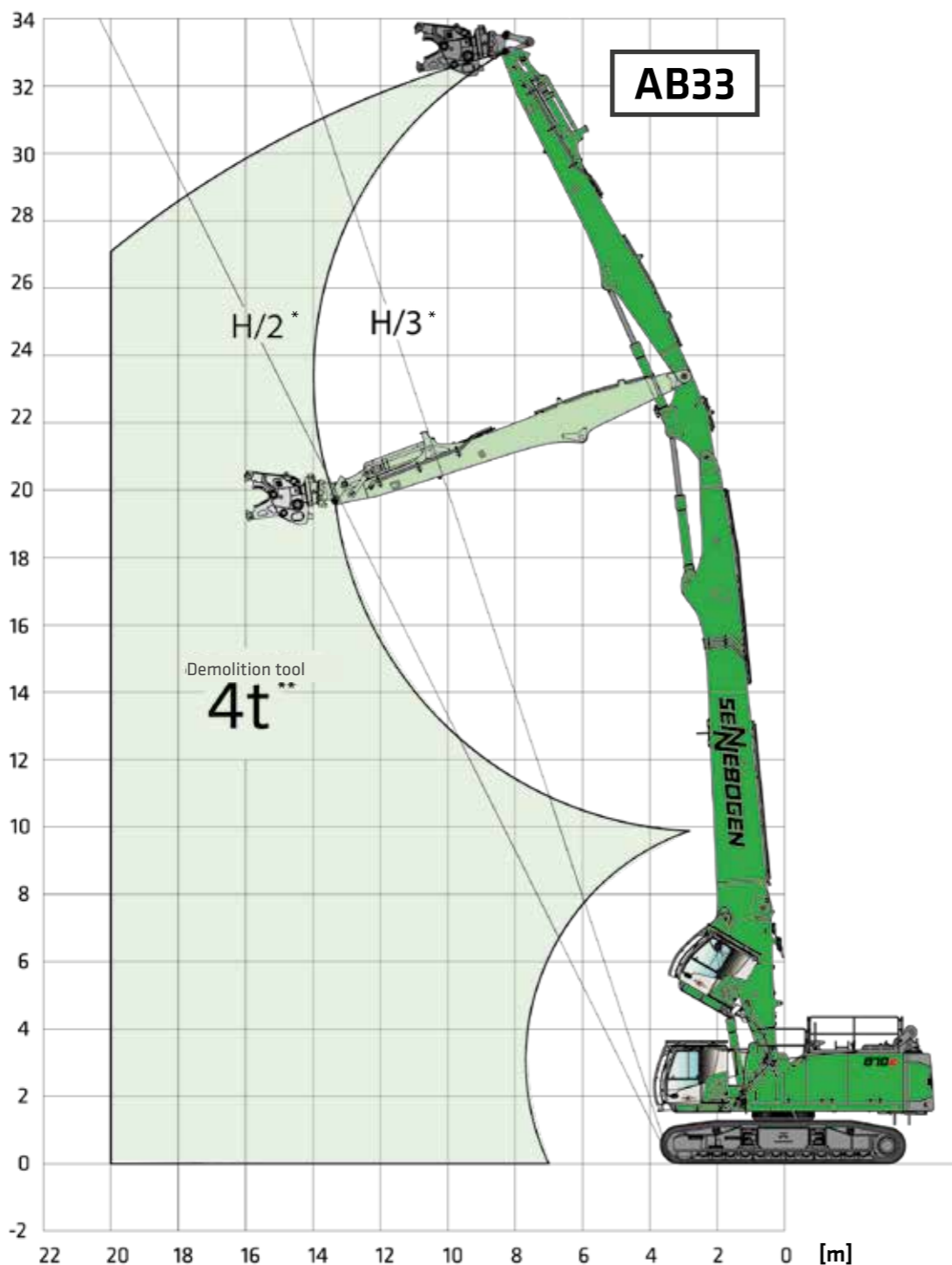
870 DEMOLITION BASIC MACHINE WITHOUT UPPERCARRIAGE RAILING, WITHOUT COUNTERWEIGHT, TRANSPORT WEIGHT APPROX. 66 T



3-PART DEMOLITION BOOM INCL. TRANSPORT FRAME APPROX. 25 T TO 28 T

LOAD RATINGS

 T102/420
  18 m compact boom
 11 m grab stick
  E270 Maxcab,
 hydraulically elevating, tiltable by 30°

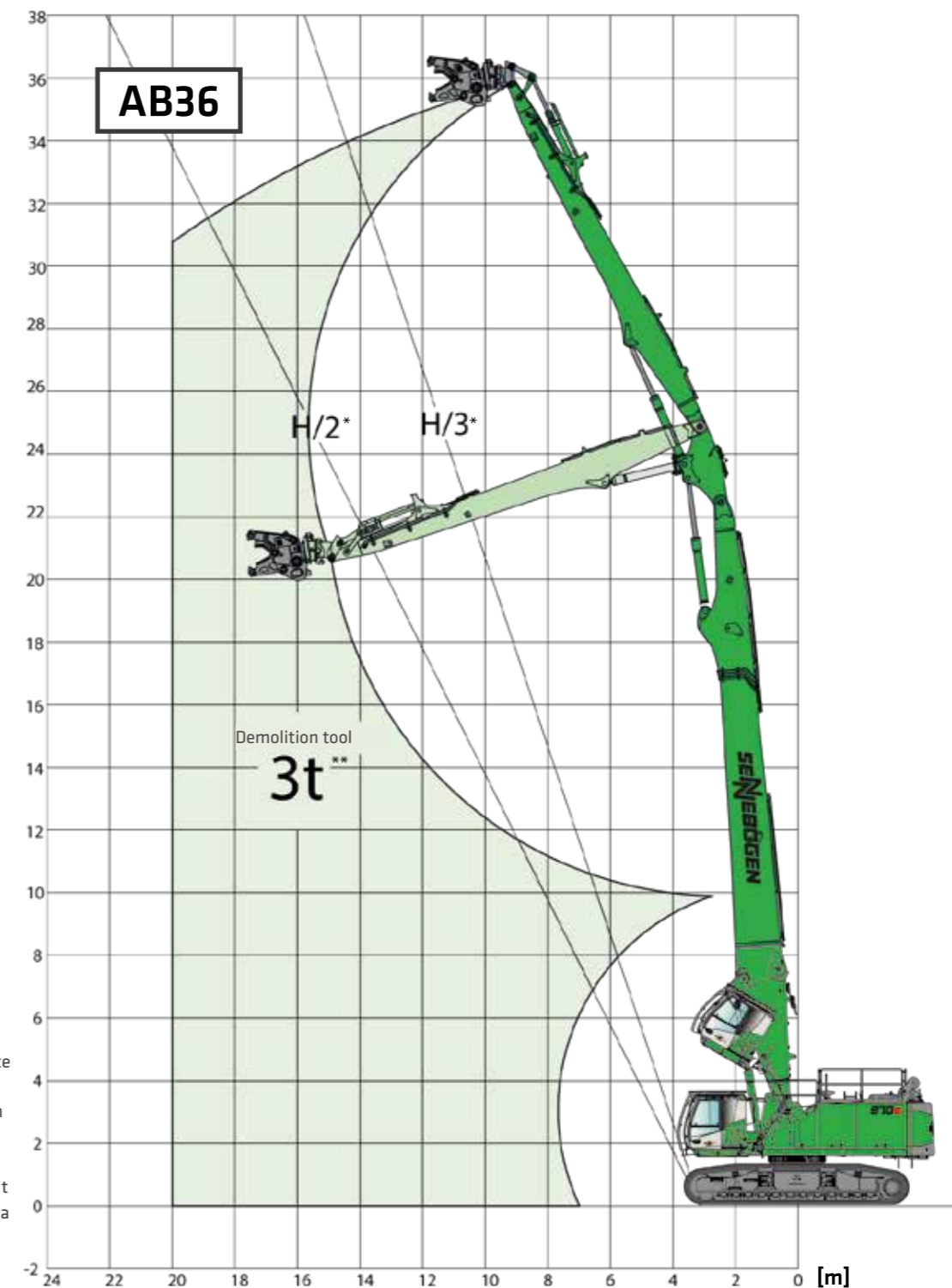


* Please note the safety distance according to BGV C22 between the machine and the demolition object (H=demolition height).

** Demolition tool up to max. 4 t weight plus quick-changer with a weight up to max. 650 kg.

Notes:
 All load ratings are given in tons (t) brought to bear at the end of the stem, without tools on firm level ground in the work area of 34° on both sides to the undercarriage axle. Working tools such as gripper, magnet, load hook etc. are included in the specified load ratings. The stated values are 75% of the static tipping load and 87% of the hydraulic lifting force according to ISO10567. According to the EU standard EN 474/5, material handling equipment used for hoisting must be equipped with a pipe rupture safety device on the lifting cylinder and an overload warning device.

 T102/420
  19.5 m compact boom
 12.5 m grab stick
  E270 Maxcab,
 hydraulically elevating, tiltable by 30°



* Please note the safety distance according to BGV C22 between the machine and the demolition object (H=demolition height).

** Demolition tool up to max. 3 t weight plus quick-changer with a weight up to max. 650 kg.

Notes:
 All load ratings are given in tons (t) brought to bear at the end of the stem, without tools on firm level ground in the work area of 34° on both sides to the undercarriage axle. Working tools such as gripper, magnet, load hook etc. are included in the specified load ratings. The stated values are 75% of the static tipping load and 87% of the hydraulic lifting force according to ISO10567. According to the EU standard EN 474/5, material handling equipment used for hoisting must be equipped with a pipe rupture safety device on the lifting cylinder and an overload warning device.

TECHNICAL DATA, EQUIPMENT

	DIESEL ENGINE			
	825 DEMOLITION MOBILE	825 DEMOLITION CRAWLER	830 DEMOLITION CRAWLER	870 DEMOLITION CRAWLER
TYPE	Stage V: Cummins B6.7 FR95889 Rated power: 129 kW/2200 rpm Operating point standard: 129 kW/2200 rpm Operating point ECO: 145 kW/2000 rpm		Stage V: Cummins B6.7 FR95885 Rated power: 168 kW/2200 rpm Operating point standard: 186 kW/2000 rpm Operating point ECO: 188 kW/1850 rpm	
			Stage IIIa: Cummins QSB6.7 FR96045 Rated power: 164 kW/2000 rpm Operating point standard: 164 kW/2000 rpm Operating point ECO: 170 kW/1850 rpm	
			Stage V: Cummins X12 FR21084 Rated power: 298 kW/1800 rpm Operating point standard: 298 kW/1800 rpm Operating point ECO: 296 kW/1650 rpm	
			Stage IIIa: Cummins QSM11 FR21134 Rated power: 268 kW/1800 rpm Operating point standard: 268 kW/1800 rpm Operating point ECO: 264 kW/1650 rpm	
	Direct injection, turbo charged, reduced emissions, Eco Mode, idle automation, stop automation			
COOLING	Water-cooled, charge-air cooling			
DISPLACEMENT	6.7 l	6.7 l	6.7 l	11.9 l
NUMBER OF CYLINDERS	6	6	6	6
BATTERIES	2 x 155 Ah, main switch	2 x 155 Ah, main switch	2 x 150 Ah, main switch	2 x 180 Ah, battery disconnect switch
ELECTRICAL SYSTEM	24 V	24 V	24 V	24 V
OPTIONS	Engine block heater Diesel refueling pump Jump start pole			

	TANK CAPACITIES			
	825 DEMOLITION MOBILE	825 DEMOLITION CRAWLER	830 DEMOLITION CRAWLER	870 DEMOLITION CRAWLER
FUEL	450 l	450 l	450 l	1000 l
ADBLUE	45 l	45 l	45 l	100 l
HYDRAULIC TANK	310 l	310 l	310 l	900 l
CENTRAL LUBRICATION SYSTEM	Automatic central lubrication for equipment and slewing ring			

	UPPERCARRIAGE			
	825 DEMOLITION MOBILE	825 DEMOLITION CRAWLER	830 DEMOLITION CRAWLER	870 DEMOLITION CRAWLER
DESIGN	Torsion-resistant box design, precision crafted, steel bushings for boom mountings. Very service-friendly design, engine installed in the longitudinal direction			
COOLING SYSTEM	3-circuit cooling system with high cooling output, thermostatically regulated fan drive for oil cooler and water cooler, fan reversal for cleaning			
OPTIONS	LED lighting package Swing bearing brake via foot pedal Fire extinguisher Maritime climate paint Electrical hydraulic tank preheating Low temperature packages SENtrack telematic system Uppercarriage railings for additional safety Uppercarriage railings for additional safety Uppercarriage railings for additional safety Uppercarriage railing as standard Magnetic generator 15 kW / 20 kW Magnetic generator 15 kW / 20 kW Magnetic generator 15 kW / 20 kW Magnetic generator 24 kW Fully hydraulically unloadable counterweight to reduce the transport weight			

	ELECTRIC DRIVE			
	825 DEMOLITION MOBILE	825 DEMOLITION CRAWLER	830 DEMOLITION CRAWLER	870 DEMOLITION CRAWLER
OPTIONS	Power: 110 kW / 400 Volt / 50 Hz	Power: 110 kW / 400 Volt / 50 Hz	Power: 132 kW / 400 Volt / 50 Hz Optional: 160 kW / 400 Volt / 50 Hz	Power: 250 kW / 400 Volt / 50 Hz
	Transformer			
	Cable reel			

	HYDRAULIC SYSTEM			
	825 DEMOLITION MOBILE	825 DEMOLITION CRAWLER	830 DEMOLITION CRAWLER	870 DEMOLITION CRAWLER
	Load-sensing/ LDUV hydraulic system, hydraulically operated work functions			
DELIVERY RATE	410 l/min	410 l/min	520 l/min	2 x 475 l/min and 1 x 274 l/min for rotary drive in the closed circuit
OPERATING PRESSURE	max. 350 bar			
LOAD LIMIT CONTROL	Optimized load limit control; in order to use the best possible operating point of the diesel engine at all times, even under full load			
CONTROL SYSTEM	Proportional, precision hydraulic actuation of work movements, 2 hydraulic servo joysticks for the work functions, additional functions via switches and foot pedals			
SAFETY	Hydraulic circuits safeguarded with safety valves			
	Pipe fracture safety devices			
	Emergency lowering of the equipment with the engine switched off			
OPTIONS	Tool control for programming pressure/volume flow of up to 10 tools			
	3 µm hydraulic micro-filter SENNEBOGEN HydroClean			
	Bio-oil filling			
	Load torque indicator with load warning			<i>Load torque indicator as standard</i>
	Overload safeguard with shutdown			<i>Overload protection as standard</i>

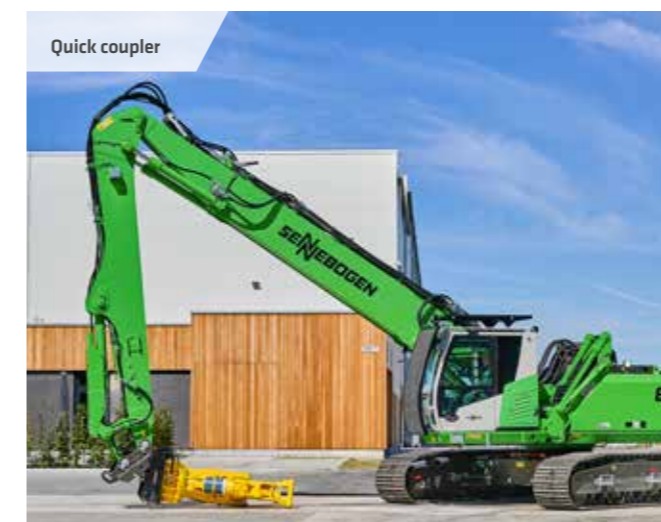
	SLEWING DRIVE			
	825 DEMOLITION MOBILE	825 DEMOLITION CRAWLER	830 DEMOLITION CRAWLER	870 DEMOLITION CRAWLER
GEARS	Compact planetary gear with bent-axis hydraulic engine, integrated brake valves			
PARKING BRAKE	Spring-loaded multi-disk brake			
SLEWING RING	Externally geared slewing ring with 360° protection and pinion lubrication			
SLEWING SPEED	0-8 min ¹ , variable	0-8 min ¹ , variable	0-8 min ¹ , variable	0-5 min ¹ , variable

	CAB 			
	825 DEMOLITION MOBILE	825 DEMOLITION CRAWLER	830 DEMOLITION CRAWLER	870 DEMOLITION CRAWLER
CAB TYPE	Maxcab, elevating by 2.70 m / tiltable by 30°			
CAB FEATURES	Windscreen/roof window made of bullet proof glass as standard, windscreen wipers for lower windscreen/roof window, sliding door incl. sliding window, vibration-damped, tinted safety glass, windshield can be opened, roof window, windscreen wipers, radio preparation, air-sprung comfort seat, joystick steering, 12 V/24 V connections, SENCON			
OPTIONS	Maxcab Industry with slanted windscreen			
	Polycarbonate safety glass			
	Sunblind for skylight and windshield			
	(FOPS) protective roof grating			
	Protective front guard			
	Carbon filter for circulation/outside air			
	Air-conditioned seat			
	Auxiliary heating system			
	Cooling box			
	Radio			

	UNDERCARRIAGE			
	825 DEMOLITION MOBILE	825 DEMOLITION CRAWLER	830 DEMOLITION CRAWLER	870 DEMOLITION CRAWLER
TYPE	Strong MP26 mobile undercarriage with integrated 4-point outrigger, steering axle as hydraulically lockable pendulum axle, pendulum axle cylinder with pipe-fracture safety valves, all-wheel drive via an adjustable hydraulic motor with directly attached, automatically actuated brake valve and 2-stage power shift transmission, strong planetary axles with integrated steering cylinders, service brake with 2-circuit system with spring-loaded multi-disc brake, M: Solid-rubber tires 10.00-20, 8x	T31/350 wide-gauge telescopic undercarriage with hydraulic or mechanical track adjustment from 2.3 – 3.5 m, with hydraulic traction drive, spring-loaded, hydraulically ventilated multi-disc brakes, hydraulic brake valves	T41/380 wide-gauge telescopic undercarriage with hydraulic or mechanical track adjustment from 2.3 – 3.8 m, with hydraulic traction drive, spring-loaded, hydraulically ventilated multi-disc brakes, hydraulic brake valves	T102/420 wide-gauge crawler telescopic undercarriage with maintenance-free crawler track with 600 mm triple grouser shoes, canted, in stable, torsion-resistant box construction with hydraulic traction drive integrated into the chassis frame by an axial piston motor via compact planetary gears on each side of the chassis. Track adjustment 2.6 – 4.2 m.
BRAKES	Multi-disc brakes, hydraulic brake valves			
TRAVEL SPEED	Stage 1: 0 – 7 km/h Stage 2: 0 – 20 km/h	Stage 1: 0 – 2 km/h Stage 2: 0 – 3.5 km/h	Stage 1: 0 – 1.6 km/h Stage 2: 0 – 3 km/h	Stage 1: 0 – 1.6 km/h Stage 2: 0 – 3 km/h
OPTIONS	Pneumatic tires 10.00-20, 8x	Wide-gauge crawler chassis R35/340	Water spray system for binding dust: Water connection on the undercarriage – tubing up to the handle end incl. nozzles	Water spray system for binding dust: Water connection on the undercarriage – tubing up to the handle end incl. nozzles
	Sliding panel in addition to 4-point support (front or rear)	Chain scraper	Chain scraper	Chain scraper
	Individual outrigger control	4-point-pedestal ST20		
	Travel drive/shunting coupling protection	Maintenance-free B60 crawler track with 700 mm canted triple grouser shoes		
	Pipe pylon with 0.5 m C8 pylon or 1.0 m pylon			

	EQUIPMENT			
	825 DEMOLITION MOBILE	825 DEMOLITION CRAWLER	830 DEMOLITION CRAWLER	870 DEMOLITION CRAWLER
RANGE	12 m	14 m	17 / 23 m	33 / 36 m
MAXIMUM PIN HEIGHT	13 m	15 m	18 / 23 m	33 / 36 m
CYLINDERS	Hydraulic cylinders with high-quality sealing and guide elements, end position damping, sealed mounting points			
OPTIONS	Ball valves in the grab hydraulic lines for quick and easy grab switching			
	Adjustable stroke limiter/handle limiter, e. g. in the hall			
	Additional LED lights			
	Stick mounted camera			

	OPERATING DATA			
	825 DEMOLITION MOBILE	825 DEMOLITION CRAWLER	830 DEMOLITION CRAWLER	870 DEMOLITION CRAWLER
MASS	28.5 t with MP26 undercarriage with 4-point outrigger incl. K12 ULM and quick-changer	38 t with T31/350 crawler undercarriage incl. K14 ULM and quick-changer	45 t with T41/380 crawler undercarriage incl. K17 ULM and quick-changer	117 t with T102/420 crawler undercarriage incl. AB36 and quick-changer
NOTE	Operating weight varies by model and equipment.			



Quick coupler



Water spray system

THE RIGHT MACHINE FLEET FOR YOUR DEMOLITION SITE



Use the right solution for all demolition tasks – whether with hydraulic demolition machines or a duty cycle crane with conventional wrecking ball.



670E **6100E** **6140E** **6300E**

	MAX. LOAD CAPACITY	70 t	100 t	140 t	300 t
	OPERATING WEIGHT	approx. 70 t	approx. 91 t	approx. 126 t	approx. 255 t
	MAX. MAIN BOOM LENGTH	56.9 m	63.5 m	63.5 m	80.3 m
	ENGINE (STAGE V)*	321 kW	451 kW	563 / 708 kW	570 / 708 / 840 kW
	WINCHES	max. 200 kN	max. 300 kN	max. 350 kN	max. 450 kN
	OPTION	HD			

THE PERFECT ADDITION TO YOUR FLEET

The multifunctional 355 E telehandler with a lifting height of up to 8.5 meters and a load capacity of up to 5.5 t for demanding and tough conditions in the construction site.

- Max. Load capacity 5.5 t**
- Operating weight 11.8 t**
- Max. Lifting height 8.5 m**
- Engine 123 kW**







FAMILY BUSINESS

WITH DECADES OF EXPERIENCE –
YOU CAN RELY ON OUR TECHNICAL SOLUTIONS.



MANAGEMENT BOARD: ALFRED ENDL, THORSTEN RESCH, WALTER SENNEBOGEN, ERICH SENNEBOGEN, ANTON SENNEBOGEN, DR. ANDREAS MAURER (from left to right)



FAMILY SENNEBOGEN: ERICH, SEBASTIAN, ANTON, VICTORIA, ALEXANDER, WALTER (from left to right)

WE STAND FOR

STABILITY & RELIABILITY

Our stable and continuous development leads to the highest level of reliability and performance.

ORGANIC GROWTH AND INDEPENDENCE

For us this means future focus; for our partners and customers it brings long-term stability and security.

A STRONG HERITAGE SECURES THE FUTURE

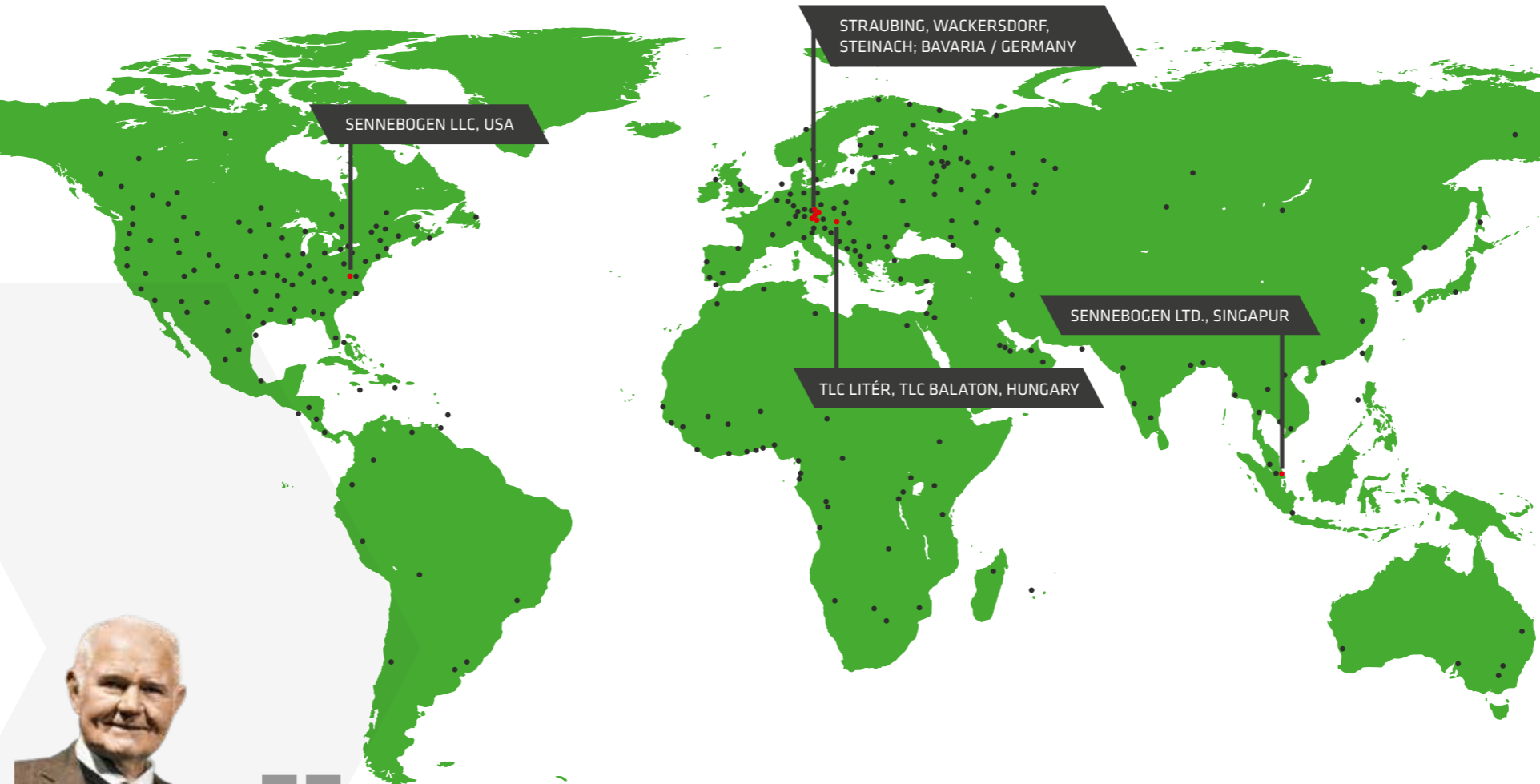
SENNEBOGEN has become one of the leading manufacturers in the market. Continuous investments in our companies secure the advantage.

PROXIMITY TO OUR PARTNERS

The personal contact with our customers, distributors, suppliers or employees supports us in becoming better every day.

WORLDWIDE CUSTOMER FOCUS.

- Locations and branches
- Sales and service partners



“If you don't change anything, you will not improve anything.”

Erich Sennebogen, 1931 - 2011
Founder

REPRESENTED WORLDWIDE
WITH OUR LOCATIONS AND
SALES PARTNERS.





CUSTOMER SERVICE WORLDWIDE

✓ We support you with any questions online, by phone and on site with our worldwide network.

✓ Our extended warranty packages offer you even more security and service.

SPARE PARTS: GO FOR QUALITY



Excellent delivery performance – also in urgent cases



Supply of spare parts to all continents through our global network



Automated warehouse technology for more than 30 000 items in stock



Lower service costs with the use of high-quality SENNEBOGEN spare parts

SENNEBOGEN rental

RENT MACHINES FLEXIBLY

Our rental park enables you to rent machines on a medium or long-term basis:

- ✓ for specific projects
- ✓ to fill short-term gaps in your machine park
- ✓ ensure the continued flow of goods

➔ rental.sennebogen.com



SENNEBOGEN used

USED MACHINES WITH HIGH QUALITY

Used machines have lower investment costs and still offer a high quality and durability! Find your used machine at SENNEBOGEN used!

➔ used.sennebogen.com

SENNEBOGEN ACADEMY

Expansive in knowledge, because success is based on knowledge. At the SENNEBOGEN Academy we place great importance on ensuring it flows powerfully.

➔ www.sennebogen-academy.com



TARGET GROUP ORIENTED TRAINING



15000 m² OUTDOOR DEMONSTRATION AREA
combines theory and practice in our training courses optimally.



TRAINING CREATES AN ADVANTAGE



OPTIMAL KNOWLEDGE TRANSFER
Through trainings for service and sales partners we ensure the continuous operation of our machines worldwide.

SENtrack



FLEET MANAGEMENT FOR PROFESSIONALS

1. REDUCE SERVICE COSTS

Monitor the machine and its main operating parameters (temperatures, consumption). If key figures deviate significantly from the target value, the user is informed immediately.

2. REDUCE CONSUMPTION

Easily identify and optimize idle times or change set parameters when machines are underloaded to reduce consumption.

3. IMPROVE PRODUCTIVITY

With just a few clicks, you can identify and optimize machine capacity, analyze routes and thus make your processes more profitable.

4. SAFEGUARD YOUR INVESTMENT

Alarm messages inform you about critical machine conditions. In the event of irregular movements, the machine can also easily be deactivated remotely.

➔ www.sennebogen.com/sentrack



MOVE BIG THINGS WITH US



SENNEBOGEN IN FIGURES.



1800+

Employees worldwide



180+

Sales and service partners worldwide



100+

Countries worldwide which we export to



70+

Years of experience

BIG RANGE OF PRODUCTS. EXCELLENT RANGE OF SIZES.



Telehandler	Balancer	Material handler	Duty cycle crane	Crawler crane	Telescopic crane	Port crane
4-5.5 t	130-300 t	17-420 t	13.5-300 t	50-300 t	16-130 t	300 t

JOIN OUR OPERATORS' CLUB

Exclusive information, sharing experience with other SENNEBOGEN operators as well as fun and enthusiasm. All the benefits here:

➔ www.sennebogen.com/operators-club



This catalog describes machine models, the scope of equipment of individual models, and configuration options (standard equipment and optional equipment) of the machines delivered by SENNEBOGEN Maschinenfabrik GmbH. Machine illustrations may contain optional and supplementary equipment. Actual equipment may vary depending on the country to which the machines are delivered, especially in regard to standard and optional equipment. All product designations used may be trademarks of SENNEBOGEN Maschinenfabrik GmbH or other supplying companies, and any use by third parties for their own purposes may violate the rights of the owners.

Please contact your local SENNEBOGEN sales partner for information concerning the equipment variants offered. Requested performance characteristics are only binding if they are expressly stipulated upon conclusion of the contract. Delivery options and technical features are subject to change. All information is supplied without liability. Equipment is subject to change, and rights of advancement are reserved. © SENNEBOGEN Maschinenfabrik GmbH, Straubing, Germany. Reproduction in whole or in part only with written consent of SENNEBOGEN Maschinenfabrik GmbH, Straubing, Germany.

SENNEBOGEN

**SENNEBOGEN
Maschinenfabrik GmbH**
Hebbelstraße 30
94315 Straubing, Germany
Tel. +49 94 21 540-0

 www.sennebogen.com

SENNEBOGEN LLC
1957 Sennebogen Trail
Stanley, North Carolina 28164, USA
Tel. +1 704 347-4910
sales@sennebogenllc.com
www.sennebogen-na.com

SENNEBOGEN Pte. Ltd.
25 International Business Park
04-11/12 German Centre
Singapore 60 99 16
Tel. +65 6562 826-0
info@sennebogen.asia
www.sennebogen.asia

MOVE BIG THINGS