

V O L V O



Volvo Excavators 35.5-39.4 t 257 hp

**ECR355**

Volvo Construction Equipment

# ECR355

Get ready for the highest levels of productivity, performance and efficiency in short swing applications.



## Outstanding visibility



- The newly designed cab significantly improves right hand, front and side visibility
- Optional one-piece windshield
- Large mirrors with electric heating
- Additional lighting on the cab, boom, and arm

## A new level of performance



- 7% increase in lifting capacity
- 4% more tractive force
- Heavier counterweight
- Boom/Swing priority functions
- Auto travel boost
- Floating dozer blade

# Big performance and big results

Introducing the ECR355 – the short swing radius excavator that sets a new benchmark for efficiency, performance and comfort. With 7% more fuel efficiency, 7% more lifting capacity, 4% more tractive force and 20% more in-cab space compared to traditional short swing machines, count on the ECR355 to deliver the highest levels of productivity, performance and efficiency in short swing applications.



## 7% more fuel efficiency

- Advanced electro-hydraulic control system with main control valve (MCV)
- Redesigned main control valve for faster hydraulic movements and more efficient use of power
- Two new electric fans
- Engine pump optimization reduces engine speed to 1 600 rpm from 1 800 rpm
- Auto power boost
- Powerful and efficient Volvo engine
- New engine work modes
- Auto idling, automatic engine shutdown



## Made for uptime

- 1 000-hour engine oil change interval
- 3 000-hour hydraulic oil change
- More synchronized service intervals (all 1 000-hour multiples)
- Grouped filters and lubrication points easily accessed thanks to new right hand service access to the upper platform
- Urea tank filling from the ground level
- HVAC main filter replaced from inside the cab
- Easier, cleaner oil and filter changes: quick drain port, shut off valve, optional ground-level access oil sampling ports
- CareTrack telematics



## Smart View with POC (People and Obstacle Classification)

- Combine 360° camera view with highly intelligent radar detection
- Differentiate between people and objects thanks to deep learning technology
- Enhanced real-time view of surroundings
- Automatic alerts if people or obstacles are detected



## Unrivalled operator environment

- 20% more in-cab space
- 50% improved in-cab cooling performance
- Electric fans for less noise
- Two filter system for better air quality: pre filter and main filter
- Bluetooth connectivity, wireless phone charging and extensive storage
- Ergonomically designed footsteps and handrails for easy cab entrance/exit
- The tiltable left console provides more space to enter the cab
- Precision joystick system, ergonomic right-hand switch layout, customizable settings

## Dig Assist for faster, easier and safer digging operations



- Powered by the in-cab Volvo Co-Pilot
- Volvo Active Control for faster, more precise digging
- Boundary limits: Depth Limit, Height Limit, Swing Fence
- 2D/3D machine control, In-Field Design and On-Board Weighing

## 7% more fuel efficiency

The ECR355 boasts all the power of its equivalent Volvo crawler excavator along with a 7% improvement in fuel efficiency. The ECR355 takes fuel efficiency to a new level with the redesigned main control valve which enables faster hydraulic movements and more efficient use of power, boosting overall machine performance. Additional features such as new electric fan, engine pump optimisation, auto power boost, and many other intelligent functions, combine to result in lower fuel consumption and lower operating costs.

## A new level of performance

Take short swing performance to the next level. The new machine design, including heavier counterweight, unlocks a new level of performance, most notably a 7% increase in lifting capacity and 4% more tractive force. This is combined with the electro-hydraulic control system with redesigned main control valve and customized priority setting function, which enables fast cycle times and optimum efficiency out in the field. Additional functions such as auto power boost and auto travel boost further support productivity and enhance operator comfort.

## Industry leading service intervals

The ECR355 boasts some of the longest service intervals in the industry, with 1 000-hour engine oil, 3 000-hour hydraulic oil changes to mention a few. More synchronized service intervals (all 1 000-hour multiples) further increase uptime and reduce costs.

## Unrivalled operator comfort

The ECR355 combines a short swing radius machine with conventional machine cab, resulting in an outstanding 20% more in-cab space compared to a traditional short swing radius cab. This is complemented by a host of features designed to boost operator comfort including 50% improved in-cab cooling performance, less noise, Bluetooth connectivity, wireless phone charging and extensive storage.



# Volvo ECR355 in detail

## Engine

The latest generation, Volvo engine Stage V emissions compliant diesel engine fully meets the demands of the latest, emissions regulations. Featuring Volvo Advanced Combustion Technology (V-ACT), it is designed to deliver superior performance and fuel efficiency. The engine uses precise, high pressure fuel injectors, turbo charger and air-to-air intercooler, and electronic engine controls to optimize machine performance.

- **Air Filter:** 3-stage with precleaner
- **Automatic Idling System:** Reduces engine speed to idle when the levers and pedals are not activated resulting in less fuel consumption and low cab noise levels.

Engine	Brand	Volvo D8M
Max power at	rpm	1 600
Net, ISO 9249/SAE J1349	kW	188
	hp	256
Gross, ISO 14396/SAE J1995	kW	189
	hp	257
<b>Power output at</b>		
Operating max	rpm	1 600
Travel max	rpm	1 600
Max torque	Nm	1 290
	at engine speed	rpm
No. of cylinders		6
Displacement	lit	7.7
Bore	mm	110
Stroke	mm	135

## Electrical System

High-capacity electrical system that is well protected. Waterproof double-lock harness plugs are used to secure corrosion-free connections. The main relays and solenoid valves are shielded to prevent damage. Contronics provides advanced monitoring of machine functions and important diagnostic information.

Voltage	V	24
Batteries	V	2 x 12
Battery capacity	Ah	170
Alternator	V/A	28 / 120
Start motor	V - kW	24 - 5.5

## Undercarriage

The undercarriage has a robust X-shaped frame. Greased and sealed track chains are standard.

ECR355		
Track shoe		2 x 48
Link pitch	mm	216
Shoe width, triple grouser	mm	600, 700, 800, 850
Shoe width, double grouser	mm	600
Bottom rollers		2 x 8
Top rollers		2 x 2

ECR355 High Walker		
Track shoe		2 x 48
Link pitch	mm	216
Shoe width, triple grouser	mm	600, 700, 800, 850
Shoe width, double grouser	mm	600
Bottom rollers		2 x 9
Top rollers		2 x 2

## Swing System

The swing system uses an axial piston motors, driving a planetary gearbox for maximum torque. An automatic holding brake and antirebound valve are standard.

Max. slew speed	rpm	9.8
Max. slew torque	kN/m	118

### Travel System

Each track is powered by an automatic two-speed shift travel motor. The track brakes are multi-disc, spring-applied and hydraulic released. The travel motor, brake and planetary gears are well protected within the track frame.

Max. drawbar pull	kN	286
Max. travel speed (low)	km/h	3
Max. travel speed (high)	km/h	4.4
Gradeability	°	35

### Cab

The operator's cab has easy access via a wide door opening. The cab is supported on hydraulic dampening mounts to reduce shock and vibration levels. These along with sound absorbing lining provide low noise levels. The cab has excellent all-round visibility. The front windshield can easily slide up into the ceiling, and the lower front glass can be removed and stored in the side door.

**Integrated air-conditioning and heating system:** The pressurized and filtered cab air is supplied by an automatically controlled fan. The air is distributed throughout the cab from 10 vents.

**Ergonomic operator's seat:** The adjustable seat and joystick console move independently to accommodate the operator. The seat has 12 different adjustments plus a seat belt for the operator's comfort and safety.

### Sound Level

Sound level in cab according to ISO 6396

L <sub>pA</sub>	dB	71
-----------------	----	----

External sound level according to ISO 6395 and EU Noise Directive 2000/14/EC

L <sub>WA</sub>	dB	102
-----------------	----	-----

### Hydraulic System

The new electro-hydraulic system and new MCV (main control valve) use intelligent technology to control on-demand flow for high productivity, high digging capacity and excellent fuel consumption.

The following important functions are included in the system:

**Summation system:** Combines the flow of both hydraulic pumps to ensure quick cycle times and high productivity.

**Boom priority:** Gives priority to the boom operation for faster raising when loading or performing deep excavations.

**Arm priority:** Gives priority to the arm operation for faster cycle times in leveling and for increased bucket filling when digging.

**Swing priority:** Gives priority to swing functions for faster simultaneous operations.

**Regeneration system:** Prevents cavitation and provides flow to other movements during simultaneous operations for maximum productivity.

**Power boost:** All digging and lifting forces are increased.

**Creep mode:** Lower travel speed (10%~50% of 1st full speed) can be set by creep switch on.

**Holding valves:** Boom and arm holding valves prevent the digging equipment from creeping.

#### Main pump: 2 x Variable displacement axial piston pumps

Maximum flow	l/min	2 x 256
--------------	-------	---------

#### Pilot pump: Gear pump

Maximum flow	l/min	1 x 20
--------------	-------	--------

#### Max. pressure

Implement	MPa	33.3 - 36.3
-----------	-----	-------------

Travel circuit	MPa	36.3
----------------	-----	------

Slew circuit	MPa	27.9
--------------	-----	------

Pilot circuit	MPa	3.9
---------------	-----	-----

### Hydraulic Cylinders

Boom		2
------	--	---

Bore x Stroke	ø x mm	145 x 1 507
---------------	--------	-------------

2 piece boom		1
--------------	--	---

Bore x Stroke	ø x mm	170 x 1 300
---------------	--------	-------------

Arm		1
-----	--	---

Bore x Stroke	ø x mm	150 x 1 715
---------------	--------	-------------

Bucket		1
--------	--	---

Bore x Stroke	ø x mm	140 x 1 140
---------------	--------	-------------

Bucket for LR boom		1
--------------------	--	---

Bore x Stroke	ø x mm	140 x 1 140
---------------	--------	-------------

### Service Refill

Fuel tank	lit	308
-----------	-----	-----

DEF/AdBlue® tank	lit	11
------------------	-----	----

Hydraulic system, total	lit	380
-------------------------	-----	-----

Hydraulic tank	lit	128
----------------	-----	-----

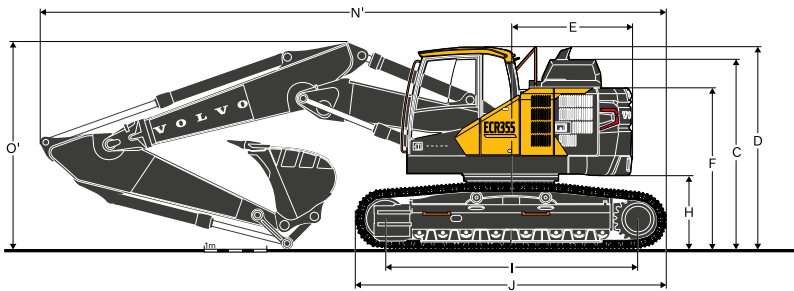
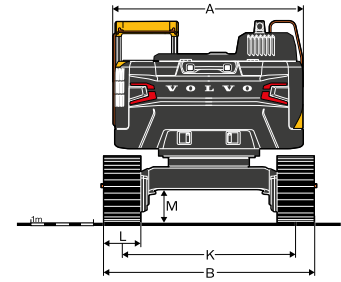
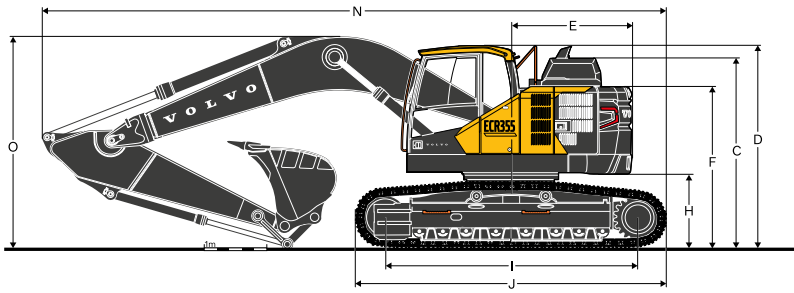
Engine oil	lit	30
------------	-----	----

Engine coolant	lit	40
----------------	-----	----

Slew reduction unit	lit	7.4
---------------------	-----	-----

Travel reduction unit	lit	2 x 6.8
-----------------------	-----	---------

# Specifications

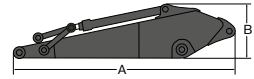
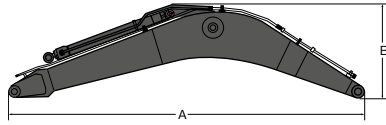


## DIMENSIONS

Description	Unit	ECR355 L			ECR355 NL		
		6.2 m mono boom or 6.2 m 2-piece boom					
<b>Boom</b>							
<b>Arm</b>	m	2.55	3.05	3.7	2.55	3.05	3.7
A. Overall width of upper structure	mm	3 010			3 010		
B. Overall width	mm	3 340			2 990		
C. Overall height of cab	mm	3 210			3 210		
D. Overall height of handrail	mm	3 210			3 210		
E. Tail swing radius	mm	2 040			2 040		
F. Overall height of engine hood	mm	3 015			3 015		
H. Counterweight clearance *	mm	1 175			1 175		
I. Tumbler length	mm	4 020			4 020		
J. Track length	mm	4 945			4 945		
K. Track gauge	mm	2 740			2 390		
L. Shoe width	mm	600			600		
M. Min. ground clearance *	mm	515			515		
N. Overall length	mm	9 950	9 885	9 870	9 950	9 885	9 870
N'. Overall length	mm	9 930	9 880	9 815	9 930	9 880	9 815
O. Overall height of boom	mm	3 455	3 410	3 710	3 455	3 410	3 710
O'. Overall height of boom *	mm	3 425	3 445	3 700	3 425	3 445	3 700

2 piece boom

\* Without shoe grouser



**DIMENSIONS**

Description	Unit	Boom			Description	Unit	Arm		
		6.2 m GP	6.2 m HD	6.2 m 2-piece boom			2.55 m HD	3.05 m HD	3.7 m GP
A. Length	mm	6 430	6 430	6 427	A. Length	mm	3 710	4 150	4 900
B. Height	mm	1 680	1 680	1 490	B. Height	mm	1 010	1 010	1 005
Width	mm	770	770	770	Width	mm	545	545	545
Weight	kg	2 250	2 480	2 808	Weight	kg	1 475	1 540	1 680

Includes cylinder, piping and pin

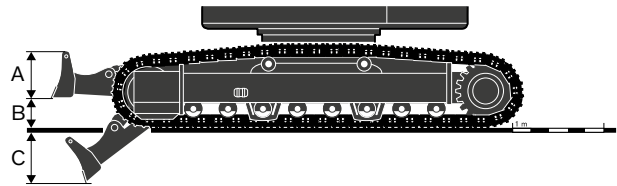
**DIMENSIONS / Dozer blade**

**ECR355 L**

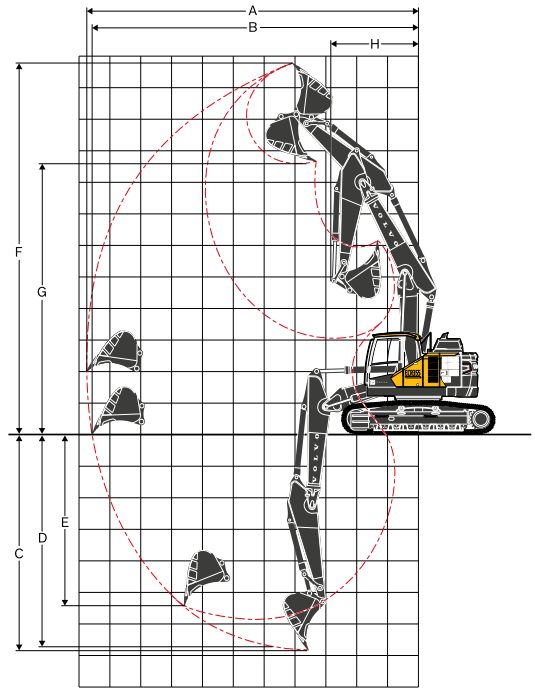
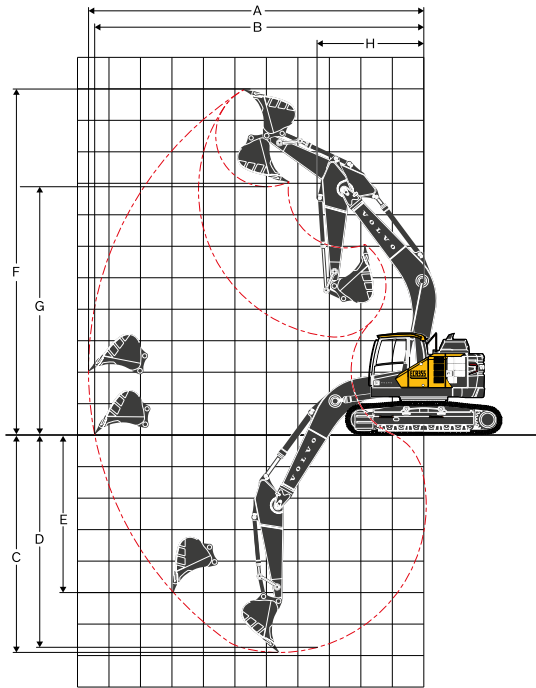
A. Height	mm	744
Width Dozer Blade	mm	3 340
Overall width 600 mm	mm	3 340
Overall width 700 mm	mm	3 440
Overall width 800 mm	mm	3 540
Overall width 850 mm	mm	3 590
Weight	kg	1 985
B. Lift height	mm	623
C. Digging depth	mm	668

**ECR355 NL**

A. Height	mm	744
Width Dozer Blade	mm	2 990
Overall width 600 mm	mm	2 990
Weight	kg	1 946
B. Lift height	mm	623
C. Digging depth	mm	668



# Specifications



## WORKING RANGES

Description	Unit	ECR355					
		6.2 m mono boom			6.2 m 2-piece boom		
Boom							
Arm	m	2.55	3.05	3.7	2.55	3.05	3.7
A. Max. digging reach	mm	10 110	10 635	11 240	10 211	10 741	11 356
B. Max. digging reach on ground	mm	9 905	10 445	11 065	10 009	10 550	11 175
C. Max. digging depth	mm	6 440	6 940	7 590	6 250	6 772	7 414
D. Max. digging depth (l=2 440 m level)	mm	6 239	6 774	7 445	6 145	6 673	7 322
E. Max. vertical wall digging depth	mm	5 600	6 130	6 755	4 796	5 384	5 974
F. Max. cutting height	mm	10 455	10 915	11 285	11 268	11 773	12 240
G. Max. dumping height	mm	7 435	7 855	8 230	8 101	8 577	9 046
H. Min. front swing radius	mm	3 312	3 392	3 367	2 988	3 363	2 913

## DIGGING FORCES WITH DIRECT FIT BUCKET

Bucket capacity		l	1 270	1 270	1 270	1 270	1 270	1 270
Breakout force (bucket)	Normal	SAE J1179	kN	165	165	165	165	165
	Power boost	SAE J1179	kN	179	179	179	179	179
	Normal	ISO 6015	kN	192	192	192	192	192
	Power boost	ISO 6015	kN	209	209	209	209	209
Tearout force (arm)	Normal	SAE J1179	kN	148.9	133.0	116.8	148.9	133.0
	Power boost	SAE J1179	kN	161.2	144.0	126.4	161.2	144.0
	Normal	ISO 6015	kN	152.3	136.0	119.4	152.3	136.0
	Power boost	ISO 6015	kN	165.7	148.0	129.9	165.7	148.0
Rotation angle, bucket		°	179	179	179	179	179	179

**MACHINE WEIGHTS AND GROUND PRESSURE - ECR355 L**

Description	Shoe width	Operating weight	Ground pressure	Overall width	Operating weight	Ground pressure	Overall width
	mm	kg	kPa	mm	kg	kPa	mm
Triple grouser	600	35 522	66.7	3 340	37 921	71.6	3 340
	700	36 147	57.9	3 440	38 546	61.8	3 440
	800	36 535	52.0	3 540	38 934	54.9	3 540
	850	36 718	49.0	3 590	39 117	52.0	3 590
Double grouser	600	36 220	67.7	3 340	38 619	72.6	3 340
		<b>6.2 m mono boom, 2.55 m arm, 1.27 m<sup>3</sup> bucket, 8 450 kg counterweight</b>			<b>6.2 m mono boom, 2.55 m arm, 1.27 m<sup>3</sup> bucket, 8 450 kg counterweight, with dozer blade</b>		
Triple grouser	600	35 882	67.7	3 340	38 281	71.6	3 340
	700	36 507	58.8	3 440	38 906	62.8	3 440
	800	36 895	52.0	3 540	39 294	54.9	3 540
	850	37 078	49.0	3 590	39 477	52.0	3 590
Double grouser	600	36 580	68.6	3 340	38 979	73.5	3 340
		<b>6.2 m 2-piece boom, 2.55 m arm, 1.27 m<sup>3</sup> bucket, 8 450 kg counterweight</b>			<b>6.2 m 2-piece boom, 2.55 m arm, 1.27 m<sup>3</sup> bucket, 8 450 kg counterweight, with dozer blade</b>		
Triple grouser	600	35 580	66.7	3 340	37 979	71.6	3 340
	700	36 205	57.9	3 440	38 604	61.8	3 440
	800	36 593	52.0	3 540	38 992	54.9	3 540
	850	36 776	49.0	3 590	39 175	52.0	3 590
Double grouser	600	36 278	68.6	3 340	38 677	72.6	3 340
		<b>6.2 m mono boom, 3.05 m arm, 1.27 m<sup>3</sup> bucket, 8 450 kg counterweight</b>			<b>6.2 m mono boom, 3.05 m arm, 1.27 m<sup>3</sup> bucket, 8 450 kg counterweight, with dozer blade</b>		
Triple grouser	600	35 940	67.7	3 340	38 339	71.6	3 340
	700	36 565	58.8	3 440	38 964	62.8	3 440
	800	36 953	52.0	3 540	39 352	55.9	3 540
	850	37 136	49.0	3 590	39 535	52.0	3 590
Double grouser	600	36 638	68.6	3 340	39 037	73.5	3 340
		<b>6.2 m 2-piece boom, 3.05 m arm, 1.27 m<sup>3</sup> bucket, 8 450 kg counterweight</b>			<b>6.2 m 2-piece boom, 3.05 m arm, 1.27 m<sup>3</sup> bucket, 8 450 kg counterweight, with dozer blade</b>		
Triple grouser	600	35 453	66.7	3 340	37 852	71.6	3 340
	700	36 078	57.9	3 440	38 477	61.8	3 440
	800	36 466	51.0	3 540	38 865	54.9	3 540
	850	36 649	49.0	3 590	39 048	52.0	3 590
Double grouser	600	36 151	67.7	3 340	38 550	72.6	3 340
		<b>6.2 m mono boom, 3.7 m arm, 1.27 m<sup>3</sup> bucket, 8 450 kg counterweight</b>			<b>6.2 m mono boom, 3.7 m arm, 1.27 m<sup>3</sup> bucket, 8 450 kg counterweight, with dozer blade</b>		
Triple grouser	600	35 813	67.7	3 340	38 212	71.6	3 340
	700	36 438	58.8	3 440	38 837	62.8	3 440
	800	36 826	52.0	3 540	39 225	54.9	3 540
	850	37 009	49.0	3 590	39 408	52.0	3 590
Double grouser	600	36 511	68.6	3 340	38 910	73.5	3 340
		<b>6.2 m 2-piece boom, 3.7 m arm, 1.27 m<sup>3</sup> bucket, 8 450 kg counterweight</b>			<b>6.2 m 2-piece boom, 3.7 m arm, 1.27 m<sup>3</sup> bucket, 8 450 kg counterweight, with dozer blade</b>		

# Specifications

MACHINE WEIGHTS AND GROUND PRESSURE - ECR355 NL							
Description	Shoe width	Operating weight	Ground pressure	Overall width	Operating weight	Ground pressure	Overall width
	mm	kg	kPa	mm	kg	kPa	mm
Triple grouser	600	37 789	70.6	2 990	38 149	71.6	2 990
	700	38 414	61.8	3 090	38 774	62.8	3 090
	800	38 802	54.9	3 190	39 162	54.9	3 190
	850	38 985	52.0	3 240	39 345	52.0	3 240
Double grouser	600	38 487	72.6	2 990	38 847	72.6	2 990
		<b>6.2 m mono boom, 2.55 m arm, 1.27 m<sup>3</sup> bucket, 8 450 kg counterweight, with dozer blade</b>		<b>6.2 m 2-piece boom, 2.55 m arm, 1.27 m<sup>3</sup> bucket, 8 450 kg counterweight, with dozer blade</b>			
Triple grouser	600	37 847	71.6	2 990	38 207	71.6	2 990
	700	38 472	61.8	3 090	38 832	62.8	3 090
	800	38 860	54.9	3 190	39 220	54.9	3 190
	850	39 043	52.0	3 240	39 403	52.0	3 240
Double grouser	600	38 545	72.6	2 990	38 905	73.5	2 990
		<b>6.2 m mono boom, 3.05 m arm, 1.27 m<sup>3</sup> bucket, 8 450 kg counterweight, with dozer blade</b>		<b>6.2 m 2-piece boom, 3.05 m arm, 1.27 m<sup>3</sup> bucket, 8 450 kg counterweight, with dozer blade</b>			
Triple grouser	600	37 720	70.6	2 990	38 080	71.6	2 990
	700	38 345	61.8	3 090	38 705	62.8	3 090
	800	38 733	54.9	3 190	39 093	54.9	3 190
	850	38 916	52.0	3 240	39 276	52.0	3 240
Double grouser	600	38 418	72.6	2 990	38 778	72.6	2 990
		<b>6.2 m mono boom, 3.7 m arm, 1.27 m<sup>3</sup> bucket, 8 450 kg counterweight, with dozer blade</b>		<b>6.2 m 2-piece boom, 3.7 m arm, 1.27 m<sup>3</sup> bucket, 8 450 kg counterweight, with dozer blade</b>			

**BUCKET SELECTION GUIDE**

Bucket type		Capacity m <sup>3</sup>	Cutting width mm	Weight kg	Teeth EA	ECR355 L, 600 mm shoe, 8 400 kg counterweight, without dozer blade						ECR355 L, 600 mm shoe, 8 400 kg counterweight, with dozer blade						
						6.2 m HD boom			6.2 m 2-piece boom			6.2 m HD boom			6.2 m 2-piece boom			
						2.55 m arm	3.05 m arm	3.7 m arm	2.55 m arm	3.05 m arm	3.7 m arm	2.55 m arm	3.05 m arm	3.7 m arm	2.55 m arm	3.05 m arm	3.7 m arm	
Direct fit Buckets	Without Quick Coupler	General purpose	0.95	1 500	796	-	B	B	B	B	B	B	B	B	B	B	B	
			1.03	1 600	835	-	B	B	B	B	B	B	B	B	B	B	B	B
			0.55	600	881	3	C	C	C	C	C	C	C	C	C	C	C	C
			0.66	750	928	3	C	C	C	C	C	C	C	C	C	C	C	C
			0.77	900	996	4	C	C	C	C	C	C	C	C	C	C	C	C
			0.95	1 050	1 018	4	C	C	C	C	C	C	C	C	C	C	C	C
			1.14	1 200	1 187	5	C	C	C	C	C	C	C	C	C	C	C	C
			1.27	1 310	1 191	5	C	C	C	C	C	C	C	C	C	C	C	C
			1.32	1 350	1 267	5	C	C	C	C	C	C	C	C	C	C	C	C
			1.45	1 450	1 263	5	C	C	C	C	C	C	C	C	C	C	C	C
			1.51	1 500	1 365	5	C	C	C	C	C	C	C	C	C	C	C	C
			1.76	1 700	1 448	6	C	C	C	C	C	B	C	C	C	C	C	C
	2.06	1 950	1 590	6	C	B	A	C	B	A	C	C	C	C	C	C		
	Heavy Duty	0.66	750	1 000	3	D	D	D	D	D	D	D	D	D	D	D	D	
		1.14	1 200	1 294	5	D	D	D	D	D	D	D	D	D	D	D	D	
1.32		1 350	1 381	5	D	D	D	D	D	D	D	D	D	D	D	D		
1.51	1 500	1 477	5	D	D	D	D	D	C	D	D	D	D	D	D			
Bucket type		Capacity m <sup>3</sup>	Cutting width mm	Weight kg	Teeth EA	ECR355 NL, 600 mm shoe, 8 400 kg counterweight, with dozer blade												
						6.2 m HD boom			6.2 m 2-piece boom									
						2.55 m arm	3.05 m arm	3.7 m arm	2.55 m arm	3.05 m arm	3.7 m arm							
Direct fit Buckets	Without Quick Coupler	General purpose	0.95	1 500	796	-	B	B	B	B	B	B	B	B	B	B		
			1.03	1 600	835	-	B	B	B	B	B	B	B	B	B	B	B	
			0.55	600	881	3	C	C	C	C	C	C	C	C	C	C	C	
			0.66	750	928	3	C	C	C	C	C	C	C	C	C	C	C	
			0.77	900	996	4	C	C	C	C	C	C	C	C	C	C	C	
			0.95	1 050	1 018	4	C	C	C	C	C	C	C	C	C	C	C	
			1.14	1 200	1 187	5	C	C	C	C	C	C	C	C	C	C	C	
			1.27	1 310	1 191	5	C	C	C	C	C	C	C	C	C	C	C	
			1.32	1 350	1 267	5	C	C	C	C	C	C	C	C	C	C	C	
			1.45	1 450	1 263	5	C	C	C	C	C	C	C	C	C	C	C	
			1.51	1 500	1 365	5	C	C	C	C	C	C	C	C	C	C	C	
			1.76	1 700	1 448	6	C	C	C	C	C	C	C	C	C	C	C	
	2.06	1 950	1 590	6	C	C	C	C	C	C	B	C	C	C	C			
	Heavy Duty	0.66	750	1 000	3	D	D	D	D	D	D	D	D	D	D	D		
		1.14	1 200	1 294	5	D	D	D	D	D	D	D	D	D	D	D		
1.32		1 350	1 381	5	D	D	D	D	D	D	D	D	D	D	D			
1.51	1 500	1 477	5	D	D	D	D	D	D	D	D	D	D	D	D			

**Maximum material density**

A: 1 200~1 300 kg/m <sup>3</sup>	Coal, Caliche, Shale
B: 1 400~1 600 kg/m <sup>3</sup>	Wet earth and clay, Limestone, Sandstone
C: 1 700~1 800 kg/m <sup>3</sup>	Granite, Wet sand, Well blasted rock
D: 1 900 kg/m <sup>3</sup> ~	Wet mud, Iron ore

# Specifications

## LIFTING CAPACITY - ECR355 L

At the arm end without bucket.

For Lifting capacity including bucket. Simply subtract actual weight of the direct fit bucket or the bucket with quick fit from the following values.

	Lifting point	1.5 m		3 m		4.5 m		6.0 m		7.5 m		9.0 m		Max. reach		
		Along UC	Across UC	Along UC	Across UC	Along UC	Across UC	Along UC	Across UC	Along UC	Across UC	Along UC	Across UC	Along UC	Across UC	Max. m
Boom : 6.2 m Arm : 2.55 m Shoe : 600 mm L/Frame: LC	9 m													*9 960	*9 960	4.72
	7.5 m							*9 120	8 750					*8 770	7 730	6.45
	6 m					*10 480	*10 480	*9 420	8 630					*8 420	5 990	7.49
	4.5 m					*13 090	13 010	*10 540	8 310	8 990	5 880			7 880	5 150	8.13
	3 m					*16 300	12 060	*11 980	7 910	8 790	5 700			7 290	4 740	8.46
	1.5 m					*17 830	11 430	12 080	7 570	8 600	5 520			7 130	4 600	8.51
	0 m					*18 800	11 210	11 850	7 370	8 470	5 410			7 340	4 720	8.29
	-1.5 m			*12 210	*12 210	*18 060	11 210	11 790	7 310	8 450	5 390			8 040	5 140	7.77
	-3 m			*21 380	*21 380	*16 250	11 360	11 890	7 400					9 670	6 140	6.89
-4.5 m					*12 590	11 720							*10 050	8 770	5.47	
Boom : 6.2 m Arm : 3.05 m Shoe : 600 mm L/Frame: LC	9 m													*6 840	*6 840	5.63
	7.5 m							*8 240	*8 240					*6 090	*6 090	7.13
	6 m							*8 690	*8 690	*8 280	6 080			*5 820	5 330	8.09
	4.5 m					*11 930	*11 930	*9 870	8 420	*8 830	5 940			*5 810	4 660	8.68
	3 m					*15 200	12 310	*11 400	8 000	8 840	5 740			*5 990	4 320	8.99
	1.5 m					*17 750	11 560	12 150	7 620	8 620	5 540	6 550	4 230	*6 390	4 210	9.04
	0 m					*18 730	11 210	11 860	7 370	8 460	5 390			6 670	4 290	8.83
	-1.5 m			*11 230	*11 230	*18 440	11 140	11 740	7 270	8 390	5 330			7 220	4 620	8.35
	-3 m			*18 610	*18 610	*17 040	11 230	11 780	7 300	8 470	5 400			8 410	5 370	7.53
-4.5 m			*18 910	*18 910	*14 120	11 510	*10 330	7 530					*9 590	7 100	6.27	
Boom : 6.2 m Arm : 3.7 m Shoe : 600 mm L/Frame: LC	9 m							*6 600	*6 600					*5 250	*5 250	6.57
	7.5 m									*6 020	*6 020			*4 760	*4 760	7.89
	6 m							*7 680	*7 680	*7 330	6 170			*4 570	*4 570	8.77
	4.5 m					*9 840	*9 840	*8 910	8 560	*8 120	6 000	*6 010	4 430	*4 560	4 170	9.32
	3 m					*13 650	12 630	*10 530	8 110	8 890	5 770	6 670	4 330	*4 680	3 880	9.6
	1.5 m					*16 640	11 730	*12 120	7 670	8 630	5 540	6 540	4 210	*4 960	3 780	9.65
	0 m			*6 600	*6 600	*18 290	11 210	11 850	7 350	8 430	5 350	6 430	4 120	*5 440	3 830	9.45
	-1.5 m	*6 600	*6 600	*10 580	*10 580	*18 580	11 020	11 660	7 190	8 310	5 250	*6 270	4 080	*6 230	4 080	9.0
	-3 m	*11 070	*11 070	*15 950	*15 950	*17 740	11 030	11 630	7 160	8 310	5 240			7 260	4 620	8.26
-4.5 m			*21 630	*21 630	*15 580	11 230	*11 670	7 290					*9 110	5 780	7.13	
-6 m					*11 000	*11 000									5.35	
Boom : 6.2 m Arm : 2.55 m Shoe : 600 mm L/Frame: LC Dozer blade down	9 m													*9 960	*9 960	4.72
	7.5 m							*9 120	*9 120					*8 770	8 330	6.45
	6 m					*10 480	*10 480	*9 420	9 290					*8 420	6 480	7.49
	4.5 m					*13 090	*13 090	*10 540	8 970	*9 350	6 370			*8 480	5 600	8.13
	3 m					*16 300	13 040	*11 980	8 570	*9 990	6 190			*8 860	5 170	8.46
	1.5 m					*17 830	12 410	*13 220	8 230	*10 620	6 020			*9 520	5 030	8.51
	0 m					*18 800	12 190	*13 830	8 030	*10 930	5 900			*9 800	5 150	8.29
	-1.5 m			*12 210	*12 210	*18 060	12 190	*13 640	7 970	*10 610	5 880			*10 100	5 620	7.77
	-3 m			*21 380	*21 380	*16 250	12 350	*12 370	8 060					*10 310	6 690	6.89
-4.5 m					*12 590	*12 590							*10 050	9 510	5.47	

Notes: 1. Machine in "Fine Mode-F" (Power Boost) for lifting capacities.

2. The above loads are in compliance with SAE J1097 and ISO 10567 Hydraulic Excavator Lifting Capacity Standards.

3. Rated loads do not exceed 87% of hydraulic lifting capacity or 75% of tipping load.

4. Rated loads marked with an asterisk (\*) are limited by hydraulic capacity rather than tipping load.

**LIFTING CAPACITY - ECR355 L**

At the arm end without bucket.

For Lifting capacity including bucket. Simply subtract actual weight of the direct fit bucket or the bucket with quick fit from the following values.

	Lifting point	1.5 m		3 m		4.5 m		6.0 m		7.5 m		9.0 m		Max. reach		
		Along UC	Across UC	Along UC	Across UC	Along UC	Across UC	Along UC	Across UC	Along UC	Across UC	Along UC	Across UC	Along UC	Across UC	Max. m
<b>Boom :</b> 6.2 m <b>Arm :</b> 3.05 m <b>Shoe :</b> 600 mm <b>L/Frame:</b> LC <b>Dozer blade</b> down	9 m													*6 840	*6 840	5.63
	7.5 m							*8 240	*8 240					*6 090	*6 090	7.13
	6 m							*8 690	*8 690	*8 280	6 570			*5 820	5 780	8.09
	4.5 m					*11 930	*11 930	*9 870	9 080	*8 830	6 430			*5 810	5 080	8.68
	3 m					*15 200	13 300	*11 400	8 660	*9 580	6 230			*5 990	4 720	8.99
	1.5 m					*17 750	12 540	*12 800	8 280	*10 330	6 030	*6 780	4 630	*6 390	4 600	9.04
	0 m					*18 730	12 200	*13 650	8 030	*10 810	5 880			*7 090	4 700	8.83
	-1.5 m			*11 230	*11 230	*18 440	12 120	*13 740	7 920	*10 780	5 820			*8 300	5 060	8.35
	-3 m			*18 610	*18 610	*17 040	12 220	*12 900	7 960	*9 710	5 890			*9 630	5 860	7.53
	-4.5 m			*18 910	*18 910	*14 120	12 490	*10 330	8 190					*9 590	7 720	6.27
<b>Boom :</b> 6.2 m <b>Arm :</b> 3.7 m <b>Shoe :</b> 600 mm <b>L/Frame:</b> LC <b>Dozer blade</b> down	9 m							*6 600	*6 600					*5 250	*5 250	6.57
	7.5 m									*6 020	*6 020			*4 760	*4 760	7.89
	6 m							*7 680	*7 680	*7 330	6 670			*4 570	*4 570	8.77
	4.5 m					*9 840	*9 840	*8 910	*8 910	*8 120	6 500	*6 010	4 830	*4 560	4 550	9.32
	3 m					*13 650	13 610	*10 530	8 770	*8 970	6 270	*7 410	4 730	*4 680	4 250	9.6
	1.5 m					*16 640	12 710	*12 120	8 330	*9 850	6 030	*8 490	4 610	*4 960	4 140	9.65
	0 m			*6 600	*6 600	*18 290	12 190	*13 250	8 010	*10 520	5 850	*8 730	4 510	*5 440	4 210	9.45
	-1.5 m	*6 600	*6 600	*10 580	*10 580	*18 580	12 000	*13 680	7 840	*10 760	5 740	*6 270	4 480	*6 230	4 480	9.0
	-3 m	*11 070	*11 070	*15 950	*15 950	*17 740	12 020	*13 280	7 820	*10 310	5 740			*7 630	5 060	8.26
	-4.5 m			*21 630	*21 630	*15 580	12 220	*11 670	7 950					*9 110	6 310	7.13
-6 m					*11 000	*11 000									5.35	
<b>Boom :</b> 6.2 m <b>2-piece boom</b> <b>Arm :</b> 2.55 m <b>Shoe :</b> 600 mm <b>L/Frame:</b> LC	9 m					*11 360	*11 360							*10 220	*10 220	4.83
	7.5 m					*11 520	*11 520	*10 950	8 780					*8 910	7 570	6.53
	6 m					*12 660	*12 660	*11 710	8 650	*9 000	5 950			*8 480	5 860	7.56
	4.5 m					*16 100	13 030	*12 510	8 300	9 020	5 850			7 780	5 040	8.2
	3 m							12 510	7 870	8 810	5 650			7 210	4 640	8.52
	1.5 m							12 090	7 500	8 600	5 470			7 050	4 500	8.57
	0 m					*17 390	11 090	11 840	7 290	8 470	5 340			7 260	4 620	8.35
	-1.5 m					*14 990	11 100	11 780	7 230	8 450	5 330			7 950	5 040	7.84
-3 m					*11 350	11 290	*9 080	7 340					*6 920	6 020	6.97	
<b>Boom :</b> 6.2 m <b>2-piece boom</b> <b>Arm :</b> 3.05 m <b>Shoe :</b> 600 mm <b>L/Frame:</b> LC	9 m													*7 020	*7 020	5.73
	7.5 m							*8 890	*8 890					*6 190	*6 190	7.21
	6 m					*9 240	*9 240	*9 680	8 800	*8 520	6 070			*5 880	5 220	8.16
	4.5 m					*15 190	13 340	*12 020	8 430	9 100	5 920			*5 820	4 560	8.75
	3 m					*17 520	12 280	12 630	7 970	8 860	5 700	*6 470	4 270	*5 970	4 230	9.05
	1.5 m					*18 660	11 460	12 160	7 560	8 620	5 480	6 550	4 180	*6 310	4 110	9.1
	0 m					*18 050	11 090	11 850	7 290	8 450	5 330			6 600	4 200	8.89
	-1.5 m			*10 430	*10 430	*16 090	11 020	11 740	7 190	8 390	5 270			7 140	4 530	8.41
-3 m					*12 880	11 140	*10 180	7 240	*7 090	5 360			*6 760	5 260	7.61	

Notes: 1. Machine in "Fine Mode-F" (Power Boost) for lifting capacities.

2. The above loads are in compliance with SAE J1097 and ISO 10567 Hydraulic Excavator Lifting Capacity Standards.

3. Rated loads do not exceed 87% of hydraulic lifting capacity or 75% of tipping load.

4. Rated loads marked with an asterisk (\*) are limited by hydraulic capacity rather than tipping load.

# Specifications

## LIFTING CAPACITY - ECR355 L

At the arm end without bucket.

For Lifting capacity including bucket. Simply subtract actual weight of the direct fit bucket or the bucket with quick fit from the following values.

	Lifting point	1.5 m		3 m		4.5 m		6.0 m		7.5 m		9.0 m		Max. reach		
		Along UC	Across UC	Along UC	Across UC	Along UC	Across UC	Along UC	Across UC	Along UC	Across UC	Along UC	Across UC	Along UC	Across UC	Max. m
Boom : 6.2 m 2-piece boom Arm : 3.7 m Shoe : 600 mm L/Frame: LC	10.5 m					*6 920	*6 920							*6 780	*6 780	4.55
	9 m							*6 900	*6 900					*5 380	*5 380	6.67
	7.5 m							*7 210	*7 210	*6 330	6 230			*4 850	*4 850	7.98
	6 m							*7 530	*7 530	*7 390	6 180			*4 620	4 590	8.85
	4.5 m			*9 140	*9 140	*9 290	*9 290	*9 120	8 590	*8 510	6 000	*6 330	4 410	*4 570	4 070	9.39
	3 m					*16 440	12 630	*12 450	8 100	8 920	5 750	6 670	4 290	*4 670	3 790	9.68
	1.5 m					*18 230	11 650	12 250	7 620	8 640	5 490	6 540	4 170	*4 910	3 690	9.72
	0 m					*18 410	11 090	11 850	7 280	8 420	5 290	6 430	4 070	*5 330	3 750	9.53
	-1.5 m			*9 870	*9 870	*17 100	10 890	11 650	7 100	8 300	5 180	6 400	4 040	*6 040	3 990	9.08
	-3 m			*15 310	*15 310	*14 500	10 930	*11 240	7 090	8 310	5 190					8.34
-4.5 m					*10 320	*10 320	*7 940	7 240							7.22	
Boom : 6.2 m 2-piece boom Arm : 2.55 m Shoe : 600 mm L/Frame: LC Dozer blade down	9 m					*11 360	*11 360							*10 220	*10 220	4.83
	7.5 m					*11 520	*11 520	*10 950	9 440					*8 910	8 160	6.53
	6 m					*12 660	*12 660	*11 710	9 310	*9 000	6 450			*8 480	6 350	7.56
	4.5 m					*16 100	14 020	*12 510	8 960	*10 510	6 340			*8 480	5 490	8.2
	3 m							*13 380	8 530	*10 800	6 150			*8 780	5 060	8.52
	1.5 m							*13 800	8 160	*10 870	5 960			*9 200	4 920	8.57
	0 m					*17 390	12 070	*13 370	7 950	*10 400	5 840			*8 810	5 050	8.35
	-1.5 m					*14 990	12 090	*11 920	7 890	*8 980	5 830			*8 170	5 510	7.84
	-3 m					*11 350	*11 350	*9 080	8 000					*6 920	6 560	6.97
	Boom : 6.2 m 2-piece boom Arm : 3.05 m Shoe : 600 mm L/Frame: LC Dozer blade down	9 m													*7 020	*7 020
7.5 m								*8 890	*8 890					*6 190	*6 190	7.21
6 m						*9 240	*9 240	*9 680	9 450	*8 520	6 560			*5 880	5 660	8.16
4.5 m						*15 190	14 320	*12 020	9 090	*10 190	6 410			*5 820	4 970	8.75
3 m						*17 520	13 260	*13 040	8 630	*10 600	6 200	*6 470	4 670	*5 970	4 620	9.05
1.5 m						*18 660	12 440	*13 680	8 220	*10 830	5 980	*7 370	4 580	*6 310	4 510	9.1
0 m						*18 050	12 070	*13 570	7 950	*10 600	5 820			*6 930	4 600	8.89
-1.5 m				*10 430	*10 430	*16 090	12 000	*12 480	7 840	*9 600	5 760			*7 730	4 960	8.41
-3 m						*12 880	12 130	*10 180	7 900	*7 090	5 850			*6 760	5 750	7.61
Boom : 6.2 m 2-piece boom Arm : 3.7 m Shoe : 600 mm L/Frame: LC Dozer blade down		10.5 m					*6 920	*6 920							*6 780	*6 780
	9 m							*6 900	*6 900					*5 380	*5 380	6.67
	7.5 m							*7 210	*7 210	*6 330	*6 330			*4 850	*4 850	7.98
	6 m							*7 530	*7 530	*7 390	6 680			*4 620	*4 620	8.85
	4.5 m			*9 140	*9 140	*9 290	*9 290	*9 120	*9 120	*8 510	6 490	*6 330	4 800	*4 570	4 450	9.39
	3 m					*16 440	13 610	*12 450	8 760	*10 230	6 240	*7 640	4 690	*4 670	4 160	9.68
	1.5 m					*18 230	12 630	*13 360	8 280	*10 640	5 990	*8 720	4 560	*4 910	4 050	9.72
	0 m					*18 410	12 080	*13 610	7 940	*10 670	5 790	*8 520	4 460	*5 330	4 120	9.53
	-1.5 m			*9 870	*9 870	*17 100	11 880	*12 960	7 760	*10 070	5 680	*6 890	4 430	*6 040	4 380	9.08
	-3 m			*15 310	*15 310	*14 500	11 910	*11 240	7 750	*8 470	5 690			*6 640	4 960	8.34
-4.5 m					*10 320	*10 320	*7 940	7 900							7.22	

Notes: 1. Machine in "Fine Mode-F" (Power Boost) for lifting capacities.

2. The above loads are in compliance with SAE J1097 and ISO 10567 Hydraulic Excavator Lifting Capacity Standards.

3. Rated loads do not exceed 87% of hydraulic lifting capacity or 75% of tipping load.

4. Rated loads marked with an asterisk (\*) are limited by hydraulic capacity rather than tipping load.

## LIFTING CAPACITY - ECR355 NL

At the arm end without bucket.

For Lifting capacity including bucket. Simply subtract actual weight of the direct fit bucket or the bucket with quick fit from the following values.

	Lifting point	1.5 m		3 m		4.5 m		6.0 m		7.5 m		9.0 m		Max. reach		
		Along UC	Across UC	Along UC	Across UC	Along UC	Across UC	Along UC	Across UC	Along UC	Across UC	Along UC	Across UC	Along UC	Across UC	Max. m
Boom: 6.2 m Arm: 2.55 m Shoe: 600 mm L/Frame: NLC	9 m													*9 960	*9 960	4.72
	7.5 m							*9 120	7 820					*8 770	6 910	6.45
	6 m					*10 480	*10 480	*9 420	7 710					*8 420	5 330	7.49
	4.5 m					*13 090	11 480	*10 540	7 390	8 850	5 230			7 750	4 570	8.13
	3 m					*16 300	10 570	*11 980	7 000	8 650	5 050			7 170	4 200	8.46
	1.5 m					*17 830	9 960	11 880	6 670	8 460	4 880			7 010	4 070	8.51
	0 m					*18 800	9 750	11 650	6 470	8 330	4 770			7 210	4 160	8.29
	-1.5 m			*12 210	*12 210	*18 060	9 750	11 590	6 420	8 300	4 750			7 900	4 540	7.77
	-3 m			*21 380	19 860	*16 250	9 900	11 690	6 500					9 510	5 410	6.89
-4.5 m					*12 590	10 240							*10 050	7 720	5.47	
Boom: 6.2 m Arm: 3.05 m Shoe: 600 mm L/Frame: NLC	9 m													*6 840	*6 840	5.63
	7.5 m							*8 240	*8 240					*6 090	*6 090	7.13
	6 m							*8 690	8 630	*8 280	5 980			*5 820	5 240	8.09
	4.5 m					*11 930	*11 930	*9 870	8 300	*8 830	5 850			*5 810	4 590	8.68
	3 m					*15 200	12 130	*11 400	7 880	8 690	5 640			*5 990	4 250	8.99
	1.5 m					*17 750	11 380	11 950	7 500	8 470	5 440	6 440	4 160	*6 390	4 130	9.04
	0 m					*18 730	11 030	11 660	7 250	8 310	5 300			6 560	4 220	8.83
	-1.5 m			*11 230	*11 230	*18 440	10 950	11 540	7 140	8 250	5 240			7 090	4 540	8.35
	-3 m			*18 610	*18 610	*17 040	11 050	11 580	7 180	8 320	5 300			8 270	5 270	7.53
-4.5 m			*18 910	*18 910	*14 120	11 330	*10 330	7 400					*9 590	6 990	6.27	
Boom: 6.2 m Arm: 3.70 m Shoe: 600 mm L/Frame: NLC	9 m							*6 600	*6 600					*5 250	*5 250	6.57
	7.5 m									*6 020	*6 020			*4 760	*4 760	7.89
	6 m							*7 680	*7 680	*7 330	6 080			*4 570	*4 570	8.77
	4.5 m					*9 840	*9 840	*8 910	8 440	*8 120	5 910	*6 010	4 360	*4 560	4 100	9.32
	3 m					*13 650	12 440	*10 530	7 990	8 740	5 680	6 550	4 260	*4 680	3 820	9.6
	1.5 m					*16 640	11 550	12 020	7 550	8 490	5 450	6 420	4 140	*4 960	3 710	9.65
	0 m			*6 600	*6 600	*18 290	11 030	11 660	7 230	8 280	5 260	6 320	4 040	*5 440	3 760	9.45
	-1.5 m	*6 600	*6 600	*10 580	*10 580	*18 580	10 830	11 460	7 060	8 160	5 150	*6 270	4 010	*6 230	4 010	9.0
	-3 m	*11 070	*11 070	*15 950	*15 950	*17 740	10 850	11 440	7 040	8 160	5 150			7 130	4 540	8.26
-4.5 m			*21 630	*21 630	*15 580	11 050	11 580	7 170					8 970	5 680	7.13	
-6 m					*11 000	*11 000									5.35	
Boom: 6.2 m Arm: 2.55 m Shoe: 600 mm L/Frame: NLC Dozer blade down	9 m													*9 960	*9 960	4.72
	7.5 m							*9 120	8 400					*8 770	7 440	6.45
	6 m					*10 480	*10 480	*9 420	8 280					*8 420	5 780	7.49
	4.5 m					*13 090	12 320	*10 540	7 970	*9 350	5 670			*8 480	4 980	8.13
	3 m					*16 300	11 410	*11 980	7 580	*9 990	5 500			*8 860	4 580	8.46
	1.5 m					*17 830	10 800	*13 220	7 250	*10 620	5 320			*9 520	4 450	8.51
	0 m					*18 800	10 590	*13 830	7 060	*10 930	5 210			*9 800	4 550	8.29
	-1.5 m			*12 210	*12 210	*18 060	10 590	*13 640	7 000	*10 610	5 190			*10 100	4 960	7.77
-3 m			*21 380	*21 380	*16 250	10 740	*12 370	7 090					*10 310	5 910	6.89	

Notes: 1. Machine in "Fine Mode-F" (Power Boost) for lifting capacities.

2. The above loads are in compliance with SAE J1097 and ISO 10567 Hydraulic Excavator Lifting Capacity Standards.

3. Rated loads do not exceed 87% of hydraulic lifting capacity or 75% of tipping load.

4. Rated loads marked with an asterisk (\*) are limited by hydraulic capacity rather than tipping load.

# Specifications

## LIFTING CAPACITY - ECR355 NL

At the arm end without bucket.

For Lifting capacity including bucket. Simply subtract actual weight of the direct fit bucket or the bucket with quick fit from the following values.

	Lifting point	1.5 m		3 m		4.5 m		6.0 m		7.5 m		9.0 m		Max. reach		
		Along UC	Across UC	Along UC	Across UC	Along UC	Across UC	Along UC	Across UC	Along UC	Across UC	Along UC	Across UC	Along UC	Across UC	Max. m
Boom: 6.2 m Arm: 3.05 m Shoe: 600 mm L/Frame: NLC Dozer blade down	9 m					*12 590	11 080							*10 050	8 370	5.47
	7.5 m													*6 840	*6 840	5.63
	6 m							*8 240	*8 240					*6 090	*6 090	7.13
	4.5 m							*8 690	8 400	*8 280	5 870			*5 820	5 150	8.09
	3 m					*11 930	*11 930	*9 870	8 080	*8 830	5 730			*5 810	4 510	8.68
	1.5 m					*15 200	11 650	*11 400	7 670	*9 580	5 530			*5 990	4 180	8.99
	0 m					*17 750	10 930	*12 800	7 300	*10 330	5 340	*6 780	4 090	*6 390	4 070	9.04
	-1.5 m					*18 730	10 590	*13 650	7 060	*10 810	5 190			*7 090	4 150	8.83
	-3 m			*11 230	*11 230	*18 440	10 520	*13 740	6 950	*10 780	5 130			*8 300	4 460	8.35
Boom: 6.2 m Arm: 3.70 m Shoe: 600 mm L/Frame: NLC Dozer blade down	10.5 m			*18 610	*18 610	*17 040	10 610	*12 900	6 990	*9 710	5 200			*9 630	5 170	7.53
	9 m			*18 910	*18 910	*14 120	10 880	*10 330	7 210					*9 590	6 810	6.27
	7.5 m							*6 600	*6 600					*5 250	*5 250	6.57
	6 m									*6 020	6 000			*4 760	*4 760	7.89
	4.5 m							*7 680	*7 680	*7 330	5 960			*4 570	4 540	8.77
	3 m					*9 840	*9 840	*8 910	8 210	*8 120	5 790	*6 010	4 290	*4 560	4 030	9.32
	1.5 m					*13 650	11 950	*10 530	7 770	*8 970	5 570	*7 410	4 190	*4 680	3 760	9.6
	0 m					*16 640	11 090	*12 120	7 350	*9 850	5 340	*8 490	4 070	*4 960	3 660	9.65
	-1.5 m			*6 600	*6 600	*18 290	10 590	*13 250	7 040	*10 520	5 150	*8 730	3 980	*5 440	3 710	9.45
-3 m	*6 600	*6 600	*10 580	*10 580	*18 580	10 400	*13 680	6 870	*10 760	5 050	*6 270	3 940	*6 230	3 940	9.0	
-4.5 m	*11 070	*11 070	*15 950	*15 950	*17 740	10 420	*13 280	6 850	*10 310	5 050			*7 630	4 460	8.26	
Boom: 6.2 m 2 piece boom Arm: 2.55 m Shoe: 600 mm L/Frame: NLC	9 m			*21 630	21 090	*15 580	10 610	*11 670	6 980					*9 110	5 560	7.13
	7.5 m					*11 000	*11 000									5.35
	6 m					*11 360	*11 360							*10 220	*10 220	4.83
	4.5 m					*11 520	*11 520	*10 950	8 790					*8 910	7 570	6.53
	3 m					*12 660	*12 660	*11 710	8 660	8 990	5 950			*8 480	5 860	7.56
	1.5 m					*16 100	13 080	*12 510	8 310	8 880	5 850			7 660	5 040	8.2
	0 m							12 310	7 880	8 660	5 650			7 090	4 630	8.52
	-1.5 m							11 890	7 510	8 460	5 460			6 930	4 500	8.57
	-3 m					*17 390	11 120	11 650	7 290	8 320	5 340			7 130	4 610	8.35
-4.5 m					*14 990	11 130	11 590	7 240	8 310	5 330			7 820	5 040	7.84	
Boom: 6.2 m 2 piece boom Arm: 3.05 m Shoe: 600 mm L/Frame: NLC	9 m					*11 350	11 320	*9 080	7 350					*6 920	6 020	6.97
	7.5 m													*7 020	*7 020	5.73
	6 m							*8 890	8 010					*6 190	5 780	7.21
	4.5 m					*9 240	*9 240	*9 680	7 850	*8 520	5 400			*5 880	4 630	8.16
	3 m					*15 190	11 780	*12 020	7 490	8 960	5 260			*5 820	4 030	8.75
	1.5 m					*17 520	10 750	12 430	7 050	8 720	5 040	*6 470	3 760	*5 970	3 730	9.05
	0 m					*18 660	9 960	11 960	6 640	8 480	4 830	6 440	3 680	*6 310	3 610	9.1
	-1.5 m					*18 050	9 610	11 660	6 380	8 310	4 680			6 490	3 680	8.89
	-3 m			*10 430	*10 430	*16 090	9 540	11 540	6 280	8 240	4 620			7 020	3 970	8.41
-4.5 m					*12 880	9 660	*10 180	6 330	*7 090	4 700			*6 760	4 620	7.61	

Notes: 1. Machine in "Fine Mode-F" (Power Boost) for lifting capacities.

2. The above loads are in compliance with SAE J1097 and ISO 10567 Hydraulic Excavator Lifting Capacity Standards.

3. Rated loads do not exceed 87% of hydraulic lifting capacity or 75% of tipping load.

4. Rated loads marked with an asterisk (\*) are limited by hydraulic capacity rather than tipping load.

**LIFTING CAPACITY - ECR355 NL**

At the arm end without bucket.

For Lifting capacity including bucket. Simply subtract actual weight of the direct fit bucket or the bucket with quick fit from the following values.

	Lifting point	1.5 m		3 m		4.5 m		6.0 m		7.5 m		9.0 m		Max. reach		
		Along UC	Across UC	Along UC	Across UC	Along UC	Across UC	Along UC	Across UC	Along UC	Across UC	Along UC	Across UC	Along UC	Across UC	Max. m
Boom: 6.2 m 2 piece boom Arm: 3.70 m Shoe: 600 mm L/Frame: NLC	9 m					*6 920	*6 920							*6 780	*6 780	4.55
	7.5 m							*6 900	*6 900					*5 380	*5 380	6.67
	6 m							*7 210	*7 210	*6 330	6 130			*4 850	*4 850	7.98
	4.5 m							*7 530	*7 530	*7 390	6 090			*4 620	4 510	8.85
	3 m			*9 140	*9 140	*9 290	*9 290	*9 120	8 470	*8 510	5 910	*6 330	4 330	*4 570	4 000	9.39
	1.5 m					*16 440	12 450	*12 450	7 980	8 780	5 660	6 560	4 220	*4 670	3 730	9.68
	0 m					*18 230	11 470	12 050	7 500	8 500	5 400	6 420	4 090	*4 910	3 620	9.72
	-1.5 m					*18 410	10 910	11 660	7 160	8 280	5 200	6 320	3 990	*5 330	3 680	9.53
	-3 m			*9 870	*9 870	*17 100	10 710	11 460	6 980	8 160	5 090	6 290	3 960	*6 040	3 920	9.08
	-4.5 m			*15 310	*15 310	*14 500	10 750	*11 240	6 960	8 170	5 100			*6 640	4 450	8.34
-6 m					*10 320	*10 320	*7 940	7 120							7.22	
Boom: 6.2 m 2 piece boom Arm: 2.55 m Shoe: 600 mm L/Frame: NLC Dozer blade down	9 m					*11 360	*11 360							*10 220	*10 220	4.83
	7.5 m					*11 520	*11 520	*10 950	8 410					*8 910	7 260	6.53
	6 m					*12 660	*12 660	*11 710	8 290	*9 000	5 730			*8 480	5 640	7.56
	4.5 m					*16 100	12 320	*12 510	7 950	*10 510	5 630			*8 480	4 860	8.2
	3 m							*13 380	7 530	*10 800	5 440			*8 780	4 470	8.52
	1.5 m							*13 800	7 170	*10 870	5 260			*9 200	4 340	8.57
	0 m					*17 390	10 450	*13 370	6 960	*10 400	5 140			*8 810	4 450	8.35
	-1.5 m					*14 990	10 470	*11 920	6 910	*8 980	5 120			*8 170	4 850	7.84
-3 m					*11 350	10 640	*9 080	7 010					*6 920	5 770	6.97	
Boom: 6.2 m 2 piece boom Arm: 3.05 m Shoe: 600 mm L/Frame: NLC Dozer blade down	9 m													*7 020	*7 020	5.73
	7.5 m							*8 890	8 590					*6 190	*6 190	7.21
	6 m					*9 240	*9 240	*9 680	8 430	*8 520	5 840			*5 880	5 030	8.16
	4.5 m					*15 190	12 610	*12 020	8 070	*10 190	5 700			*5 820	4 400	8.75
	3 m					*17 520	11 590	*13 040	7 620	*10 600	5 480	*6 470	4 120	*5 970	4 080	9.05
	1.5 m					*18 660	10 810	*13 680	7 220	*10 830	5 270	*7 370	4 030	*6 310	3 970	9.1
	0 m					*18 050	10 450	*13 570	6 960	*10 600	5 120			*6 930	4 050	8.89
	-1.5 m			*10 430	*10 430	*16 090	10 390	*12 480	6 860	*9 600	5 060			*7 730	4 360	8.41
-3 m					*12 880	10 500	*10 180	6 910	*7 090	5 150			*6 760	5 060	7.61	
Boom: 6.2 m 2 piece boom Arm: 3.70 m Shoe: 600 mm L/Frame: NLC Dozer blade down	10.5 m					*6 920	*6 920							*6 780	*6 780	4.55
	9 m							*6 900	*6 900					*5 380	*5 380	6.67
	7.5 m							*7 210	*7 210	*6 330	6 000			*4 850	*4 850	7.98
	6 m							*7 530	*7 530	*7 390	5 950			*4 620	4 430	8.85
	4.5 m			*9 140	*9 140	*9 290	*9 290	*9 120	8 230	*8 510	5 770	*6 330	4 250	*4 570	3 930	9.39
	3 m					*16 440	11 930	*12 450	7 750	*10 230	5 530	*7 640	4 140	*4 670	3 660	9.68
	1.5 m					*18 230	10 990	*13 360	7 280	*10 640	5 280	*8 720	4 020	*4 910	3 560	9.72
	0 m					*18 410	10 450	*13 610	6 950	*10 670	5 080	*8 520	3 920	*5 330	3 610	9.53
	-1.5 m			*9 870	*9 870	*17 100	10 260	*12 960	6 780	*10 070	4 980	*6 890	3 890	*6 040	3 850	9.08
	-3 m			*15 310	*15 310	*14 500	10 290	*11 240	6 760	*8 470	4 980			*6 640	4 360	8.34
-4.5 m					*10 320	*10 320	*7 940	6 910							7.22	

- Notes: 1. Machine in "Fine Mode-F" (Power Boost) for lifting capacities.
2. The above loads are in compliance with SAE J1097 and ISO 10567 Hydraulic Excavator Lifting Capacity Standards.
3. Rated loads do not exceed 87% of hydraulic lifting capacity or 75% of tipping load.
4. Rated loads marked with an asterisk (\*) are limited by hydraulic capacity rather than tipping load.





# Equipment

## STANDARD & OPTIONAL EQUIPMENT

• = Standard / o = Optional

### Engine

Turbocharged, 6 stroke diesel engine with water cooling, direct injection and charged air cooler that meets EU StageV requirements	•
Cooling system by fan clutch/Elec	•
New work mode with 10 steps	•
Cyclone pre-cleaner	•
Fuel shut off valve	•
Engine block heater	o
Coolant heater by diesel	o
Reversible fan drive	o
Precleaner, oil bath	o
Air filter, High efficiency	o
Delayed engine Shutdown	o
Automatic engine shutdown	o
Water separator with heater	o
Arctic regeneration	o
Oil sampling port for engine oil	o

### Electric / Electronic control system

Anti-theft with code lock system	•
Alternator, 120 A	•
Automatic idling system	•
Lock Out / Tag Out function on main battery switch	•
Standard light	•
Basic light package	o
Advanced light package	o
Deluxe light package	o
Arm light	o
LH light	o

### Undercarriage and structures

3-point side access	•
Direct filling DEF(AdBlue) / Sight gauge and splash guard	•
Openable 3 piece hood	•
Guardrail, fixed/foldable	o
Inner rail	o
SIPS (Side Impact Protection Steel)	o
HD Side door & hood with screen	o
Lower frame, L	•
Lower frame, NL	o
Lower frame, L with dozer blade	o
Lower frame, NL with dozer blade	o
Link 600/700/800/850 mm triple grouser shoe	o
Link 600 mm double grouser shoe	o

## STANDARD & OPTIONAL EQUIPMENT

• = Standard / o = Optional

### Hydraulic System

EH(Electro-Hydraulic) control system	•
Auto warm up	•
Auto power boost	•
One touch power boost	•
Priority Adjustment	•
Boom down speed control	•
Shock reduction function	•
Joystick, Semi-long / 4 switch / 4 switch & 1 proportional / Simple L8 / L8	o
Hydraulic oil mineral 32 / 46 / 68	o
Longlife hyd oil mineral 32 / 46 / 68	o
Hydraulic oil bio 46	o
Pattern change	o
Boom float function	o
Straight travel pedal	o
Comfort driving control	o
Creep mode	o
Dedicated drain line	o
Variable X3 P-Q control	o
Hose rupture valve for boom	•
Hose rupture valve for arm	•

### Cab and interior

Keyless engine start and stop	•
8" HD display	•
ROPS certified cab	•
Tiltable left console	•
Digital hour meter	•
Wireless mobile charger with Kinematic sensor package option	•
Various storage space with cool/heated	•
Cleaning air gun	o
1 piece wind shield cab	o
High visibility cab	o
Cabin large mirror	o
Cabin large mirror, Heated	o
Basic / Premium / Deluxe seat	o
Seat belt, 2 inch 2 point / 3 inch 2 point / 3 inch 3 point	o
Climate control-HEPA filter	o
Radio with MP3/USB/Bluetooth	o
Front rain shield	o
Sun screen	o
Lower wiper	o
Sun shield, roof hatch	o
Foot rest, High mount	o
FOG (Falling Object Guard)	o
FOPS (Falling Object Protection Structure)	o
Safety net	o

---

**STANDARD & OPTIONAL EQUIPMENT**

---

• = Standard / o = Optional

**Digging equipment**

Boom: 6.2 m monoblock	•
Boom: VA 6.2 m	o
Arm: 3.05 m	•
Arm: 2.55 m	o
Arm: 3.7 m	o

**Machine Controls**

Kinematic sensor package	•
Volvo Co-Pilot 2nd display, 12.8" touchable Full HD	•
Dig Assist, Start	o
Dig Assist, 2D	o
Dig Assist, In-Field Design	o
Dig Assist, Topcon 3D-MC	o
Dig Assist, Trimble Earthworks	o
Dig Assist, Infield-Design Advanced	o
Dig Assist, On-Board Weighing	o
Dig Assist, Laser Receiver	o
Volvo Active Control	o
Dig Assist, Boundary Limit	o

**Safety and security**

Travel alarm, beep / white noise	o
Flashing beacon, LED	o
Green light beacon	o
Rear view camera	•
Side view camera	•
HD VSV (Volvo Smart View)	o
HD VSV with obstacle detection	o
Provision, HD VSV with obstacle detection	o

**Service and maintenance**

Swing out A/C condenser	•
Fuel filler pump	o
Quick Hydraulic Oil Fill connection	o
Jump start connector	o
Auto lubrication system	o
Tool kit	o

Not all products are available in all markets. Under our policy of continuous improvement, we reserve the right to change specifications and design without prior notice. The illustrations do not necessarily show the standard version of the machine.

**V O L V O**