

V O L V O



Volvo Excavators 14.7-16.7 t 122 hp

ECR145

Volvo Construction Equipment

ECR145

A short swing radius machine that delivers optimum results.



Push the edge of efficiency

The ECR145 redefines what is possible from a short swing radius machine, with more comfort, more performance and more efficiency. With a bigger cab, increased fuel efficiency and improved lifting capacity, count on the ECR145 to deliver optimum results in short swing applications.



Operator comfort

- Conventional type cab on a short swing radius machine
- 20% more cab space
- More precise controls
- Quieter cab
- Personalized settings for greater comfort



Smart View with Obstacle Detection

- Increased safety onsite and for the operator
- Radar warns for items outside the screen
- HD screen
- Human identifying alarm separate from other obstacles



Serviceability

- New right hand service access to upper platform
- Ground level access for service
- Grouped filters and lubrication points
- Quick and easy oil changes



Fuel Efficiency

- New electric fan
- Reduce fuel
- Lower noise
- Easier maintenance



Productivity

- Swing without obstruction- significant improvement in right hand visibility
- 5% more stability
- 11% increase in lifting capacity
- 5% more swing capacity
- 9% more tractive force
- Up to 12% more fuel efficient



Co-Pilot

The new Volvo Co-Pilot features a new 12.8" display with full HD resolution. Associated with the new HD side and rear camera, it gives better visibility on your operations. Both hardware and software improvements provide increased control on the Dig Assist applications.

Smooth Control

You will find the new joystick controls offer smoother, easier operation. Because the controls are more precise, it is easier for you to achieve what you are trying to do, leading to better machine performance.



Volvo Smart View

Volvo Smart View with Obstacle Detection provides operators with a 360° view of the machines surroundings thanks to the camera and the new radar detection system. This high technology can identify obstacles as either an object or a human being, allowing the operator to take appropriate action.

Stay connected

In the comfort of the new cab, you can charge your mobile phone wirelessly or plugged in. You also have the option to use USB connections to access your music playlists or podcasts. The Bluetooth speaker enables you to have clear communication when making a phone call.

Comfort

The new style cab's ambition is to being more comfortable and make your work easier. A handy storage space allows you to store your coolbox or shoes while you work. You will enjoy reduced noise levels, built-in sunscreen and improved HVAC. Moreover, the new comfortable seat offer will allow to reduce the operator fatigue when working all day.

Fuel efficiency

In the new Volvo excavators our improved electro-hydraulic system reduces your fuel consumption dramatically. It is done by regulating engine speed and hydraulic flow rate based on the task at hand. This ensures that only the necessary amount of energy is used, leading to improved fuel efficiency and lower operating costs.

Outstanding cooling performance

The ECR145 is equipped with smart electric fans cooling system. It automatically adjusts independently the fans speed according to engine coolant temperature, hydraulic temperature and hydraulic workload. This minimizes unnecessary energy consumption and improve overall fuel efficiency. By reducing engine load and preventing overheating, the system ensures optimum excavator performance, extends component life and lowers operating costs.

New electro-hydraulic system

At the heart of the fuel efficiency improvements is the new electro-hydraulic system with enhanced main control valve (MCV). This intelligent technology uses electronic sensors to monitor the operator's movements and send signals to the machine's on-board computer (ECU) which processes the information and sends commands to the main control valve. The result is smooth and precise movement of the excavator's boom, bucket, and other hydraulic functions allowing for more accurate digging and loading.

Dig Assist

A must-have on the modern construction site, Dig Assist provides unrivalled machine guidance and control technology, enabling operators to work with the highest levels of precision and accuracy. The addition of On-Board Weighing provides real-time insights into the bucket's load, helping to eliminate overloading, underloading, reweighing and waiting times.

Productivity

Advanced electric control joystick and full electric travel pedals provide lightning-fast response times. Boom/Swing priority functions help operators work with speed and ease by prioritizing one function over another, improving cycle times.



Serviceability

Minimizing downtime is key to protect your total cost of ownership. Easy access, clean and quick oil changes, as well as 1 000-hour intervals for engine oil, oil and fuel filter further increase your machine availability. Swing out condenser also makes cleaning of the radiator and oil cooler more convenient.



Volvo ECR145 in detail

Engine

The next-generation Volvo diesel engine uses Volvo Advanced Combustion Technology (V-ACT) to deliver lower emissions, superior performance and fuel efficiency. The engine uses precise, high pressure fuel injectors, turbo charger and intercooler, and electronic engine controls to optimize machine performance.

Air Filter: 3-stage and precleaner

Automatic Idling System: Reduces engine speed to idle when the levers and pedals are not activated resulting in less fuel consumption and low cab noise levels.

Engine	Volvo	D4J
Max power at	r/min	2 000
Net, ISO 9249/SAE J1349	kW	89
	hp	121
Gross, ISO 14396/SAE J1995	kW	90
	hp	122
Max torque	Nm	566
at engine speed	r/min	1 300
No. of cylinders		4
Displacement	l	4
Bore	mm	101
Stroke	mm	126

Electrical system

High-capacity electrical system that is well protected. Waterproof double-lock harness plugs are used to secure corrosion-free connections. The main relays and solenoid valves are shielded to prevent damage. The master switch is standard. Contronics provides advanced monitoring of machine functions and important diagnostic information.

Voltage	V	24
Batteries	V	2x12
Battery capacity	Ah	100
Alternator	V/A	28 / 180
Start motor	V - kW	24-5.5

Undercarriage and structures

The undercarriage has a robust X-shaped frame. Greased and sealed track chains are standard.

Track shoes		2 x 46
Link pitch	mm	171
Shoe width, triple grouser	mm	500/600/ 700/750
Shoe width, triple grouser (HD)	mm	600/700
Shoe width, rubber shoe	mm	500/600
Bottom rollers		2 x 7
Top rollers		2 x 1

Swing system

The swing system uses an axial piston motors, driving a planetary gearbox for maximum torque. An automatic holding brake and anti-rebound valve are standard.

Max. slew speed	r/min	12.7
Max. slew torque	kNm	41.9

Travel System

Each track is powered by an automatic two-speed shift travel motor. The track brakes are multi-disc, spring-applied and hydraulic released. The travel motor, brake and planetary gears are well protected within the track frame.

Max. drawbar pull	kN	130
Max. travel speed (low)	km/h	3.0
Max. travel speed (high)	km/h	5.5
Gradeability	°	35

Cab

The operator's cab has easy access via a wide door opening. The cab is supported on hydraulic dampening mounts to reduce shock and vibration levels. These along with sound absorbing lining provide low noise levels. The cab has excellent all-round visibility. The front windshield can easily slide up into the ceiling, and the lower front glass can be removed and stored in the side door.

Integrated air-conditioning and heating system: The pressurized and filtered cab air is supplied by an automatically controlled fan. The air is distributed throughout the cab from 10 vents.

Ergonomic operator's seat: The adjustable seat and joystick console move independently to accommodate the operator. The seat has 12 different adjustments plus a seat belt for the operator's comfort and safety.

Sound Level

Sound level in cab according to ISO 6396

L _{pA}	dB	71
-----------------	----	----

External sound level according to ISO 6395 and EU Noise Directive (2000/14/EC) and 474-1:2006 +A1:2009

L _{WA}	dB	99
-----------------	----	----

Hydraulic system

The new electro-hydraulic system and new MCV (main control valve) use intelligent technology to control on-demand flow for high productivity, high-digging capacity and excellent fuel consumption.

The following important functions are included in the system:

Summation system: Combines the flow of both hydraulic pumps to ensure quick cycle times and high productivity

Boom priority: Gives priority to the boom operation for faster raising when loading or performing deep excavations.

Arm priority: Gives priority to the arm operation for faster cycle times in leveling and for increased bucket filling when digging.

Swing priority: Gives priority to swing functions for faster simultaneous operations.

Regeneration system: Prevents cavitation and provides flow to other movements during simultaneous operations for maximum productivity.

Auto Power boost: All digging and lifting forces are increased.

Auto warm up: Hydraulic oil temperature can be set below the threshold that has been set.

Creep mode: Lower travel speed (10%~50% of 1st full speed) can be set by creep switch on.

Holding valves: Boom and arm holding valves prevent the digging equipment from creeping.

Main pump: 2 x Variable displacement axial piston pumps

Maximum flow	l/min	2 x 130
--------------	-------	---------

Pilot pump: Gear pump

Maximum flow	l/min	1 x 18
--------------	-------	--------

Max. pressure

Implement	MPa	32.4 / 34.3
Travel circuit	MPa	34.3
Slew circuit	MPa	26.5
Pilot circuit	MPa	3.9

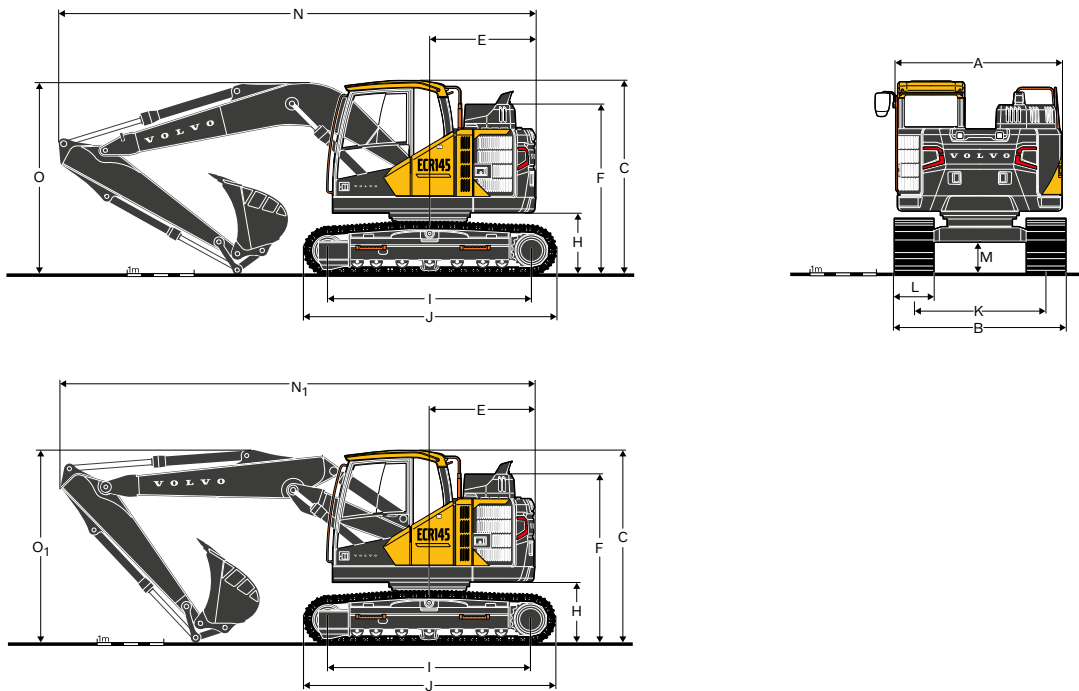
Hydraulic Cylinders

Mono boom		2
Bore x Stroke	ø x mm	110 x 1 055
1st boom of 2-piece boom		1
Bore x Stroke	ø x mm	110 x 980
2nd boom of 2-piece boom		1
Bore x Stroke	ø x mm	160 x 765
Arm		1
Bore x Stroke	ø x mm	120 x 1 028
Bucket		1
Bore x Stroke	ø x mm	100 x 865

Service Refill

Fuel tank	l	200
Hydraulic system, total	l	200
Hydraulic tank	l	74
Engine oil	l	15.5
Engine coolant	l	26
Slew reduction unit	l	4
Travel reduction unit	l	2 x 2.2

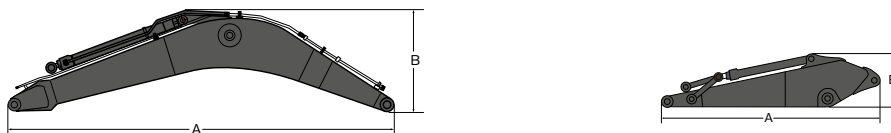
Specifications



DIMENSIONS

Description	Unit	ECR145F L			ECR145F LM		
		4.6 mono or 4.72 2-piece			4.6 mono or 4.72 2-piece		
Boom	m	2.1	2.5	3.0	2.1	2.5	3.0
A. Overall width of upper structure	mm	2 500	2 500	2 500	2 500	2 500	2 500
B. Overall width	mm	2 590	2 590	2 590	2 690	2 690	2 690
C. Overall height of cab	mm	2 895	2 895	2 895	3 075	3 075	3 075
D. Overall height of handrail	mm	2 798	2 798	2 798	2 978	2 978	2 978
E. Tail swing radius	mm	1 565	1 565	1 565	1 565	1 565	1 565
F. Overall height of engine hood	mm	2 533	2 533	2 533	2 713	2 714	2 715
G. Overall height of diffuser	mm	2 724	2 724	2 724	2 904	2 904	2 904
H. Counterweight clearance *	mm	4 380	4 380	4 380	4 380	4 380	4 380
I. Tumbler length	mm	3 040	3 040	3 040	3 000	3 000	3 000
J. Track length	mm	3 770	3 770	3 770	3 790	3 790	3 790
K. Track gauge	mm	1 990	1 990	1 990	1 990	1 990	1 990
L. Shoe width	mm	600	600	600	700	700	700
M. Min. ground clearance *	mm	901	901	901	901	901	901
N. Overall length	mm	7 471	7 476	7 416	7 491	7 491	7 461
N'. Overall length	mm	7 576	7 541	7 441	7 596	7 571	7 201
O. Overall height of boom	mm	2 760	2 900	3 250	2 830	2 970	3 565
O'. Overall height of boom	mm	2 710	2 910	3 470	2 890	2 950	3 380

* Without shoe grouser

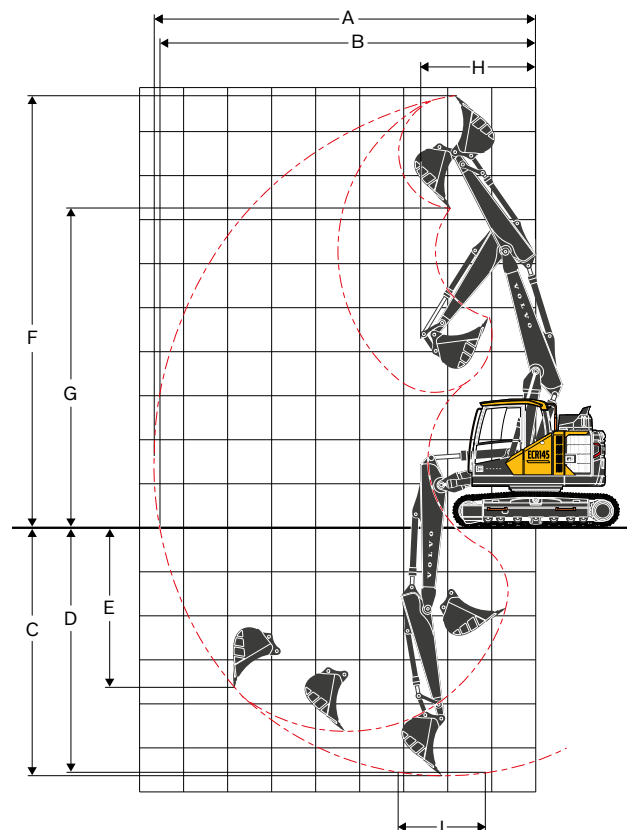
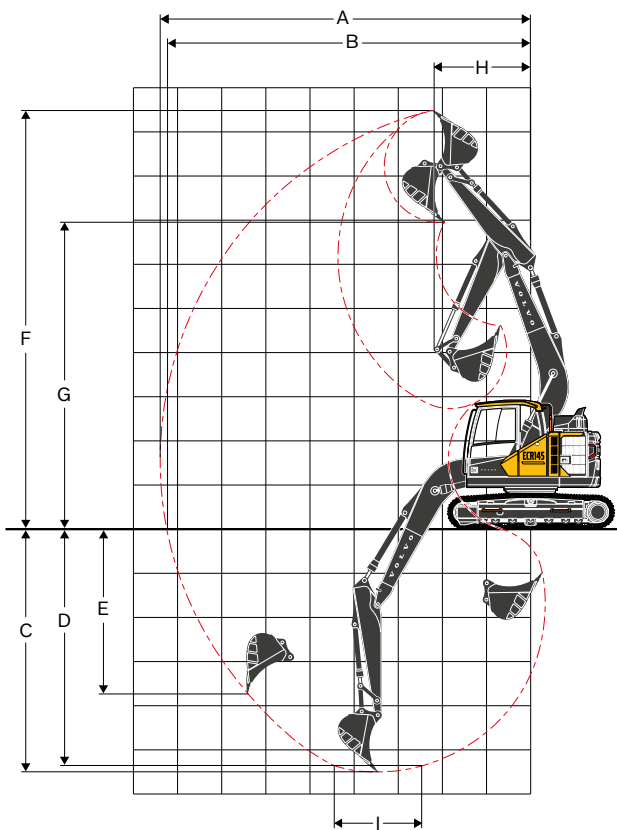


DIMENSIONS

Boom				Arm				
Description	Unit	Mono	2-piece	Description	Unit			
Boom	m	4.6	4.72	Arm	m	2.1	2.5	3.0
A (Length)	mm	4 770	4 885	A (Length)	mm	2 790	3 195	3 690
B (Height)	mm	1 370	1 135	B (Height)	mm	650	675	750
Width	mm	545	545	Width	mm	275	275	275
Weight	kg	1 130	1 450	Weight	kg	560	624	684

* Includes cylinder, piping and pin, excludes boom cyl.pin

*Includes cylinder, linkage and pin



WORKING RANGE

Description	Unit	ECR145F L						ECR145F LM					
		4.6 mono			4.72 2-piece			4.6 mono			4.72 2-piece		
Boom	m	2.1	2.5	3.0	2.1	2.5	3.0	2.1	2.5	3.0	2.1	2.5	3.0
A. Max. digging reach	mm	7 990	8 360	8 850	8 220	8 610	9 100	7 990	8 360	8 850	8 220	8 610	9 100
B. Max. digging reach on ground	mm	7 840	8 215	8 720	8 070	8 465	8 970	7 800	8 180	8 680	8 040	8 430	8 940
C. Max. digging depth	mm	5 130	5 530	6 030	5 235	5 640	6 145	4 950	5 350	5 850	5 055	5 460	5 965
D. Max. digging depth (2.44 m level)	mm	4 880	5 310	5 850	5 115	5 525	6 040	4 700	5 130	5 670	4 935	5 345	5 860
E. Max. vertical wall digging depth	mm	3 954	4 325	4 855	4 155	4 523	5 015	3 774	4 145	4 675	3 975	4 343	4 835
F. Max. cutting height	mm	9 090	9 415	9 860	9 380	9 740	10 205	9 270	9 595	10 040	9 560	9 920	10 385
G. Max. dumping height	mm	6 550	6 875	7 310	6 830	7 190	7 660	6 730	7 055	7 490	7 010	7 370	7 840
H. Min. front swing radius	mm	1 929	2 130	2 505	2 330	2 590	3 010	1 929	2 130	2 505	2 330	2 590	3 010

DIGGING FORCES WITH DIRECT FIT BUCKET

Bucket radius		mm	1 275	1 275	1 275	1 275	1 275	1 275	1 275	1 275	1 275	1 275	1 275
Breakout force - bucket	Normal SAE J1179	kN	80.5	80.5	80.5	80.5	80.5	80.5	80.5	80.5	80.5	80.5	80.5
	Power boost SAE J1179	kN	85.4	85.4	85.4	85.4	85.4	85.4	85.4	85.4	85.4	85.4	85.4
	Normal ISO 6015	kN	91.1	91.1	91.1	91.1	91.1	91.1	91.1	91.1	91.1	91.1	91.1
Tearout force - dipper arm	Power boost ISO 6015	kN	96.6	96.6	96.6	96.6	96.6	96.6	96.6	96.6	96.6	96.6	96.6
	Normal SAE J1179	kN	69.5	62.1	55.3	69.5	62.1	55.3	69.5	62.1	55.3	69.5	62.1
	Power boost SAE J1179	kN	73.8	65.8	58.6	73.8	65.8	58.6	73.8	65.8	58.6	73.8	65.8
Tearout force - dipper arm	Normal ISO 6015	kN	71.4	63.5	56.3	71.4	63.5	56.3	71.4	63.5	56.3	71.4	63.5
	Power boost ISO 6015	kN	75.8	67.3	59.8	75.8	67.3	59.8	75.8	67.3	59.8	75.8	67.3
Rotation angle, bucket	°	179	179	179	179	179	179	179	179	179	179	179	179

Specifications

MACHINE WEIGHTS AND GROUND PRESSURE

Description	Shoe width	Operating weight	Ground pressure	Operating weight	Ground pressure
	mm	kg	kPa	kg	kPa
Triple grouser	500	14 740	44.1	15 823	47.1
	600	14 897	37.3	16 020	40.2
	750	15 313	30.4	16 395	32.4
Triple grouser(HD)	600	15 009	37.3	16 091	40.2
	700	15 109	32.4	16 191	34.3
Rubber	500	14 773	44.1	15 855	47.1
Add on Rubber	500	15 192	45.1	16 274	48.0
	600	15 468	38.2	16 550	41.2
		ECR145F L, 4.6 m boom, 2.5 m arm, 443 kg bucket, 3 200 kg counterweight		ECR145F L with dozer blade, 4.6 m boom, 2.5 m arm, 443 kg bucket, 3 200 kg counterweight	
Description	Shoe width	Operating weight	Ground pressure	Operating weight	Ground pressure
	mm	kg	kPa	kg	kPa
Triple grouser	500	15 040	45.1	16 123	48.0
	600	15 238	38.2	16 320	40.2
	750	15 613	31.4	16 695	33.3
Triple grouser(HD)	600	15 309	38.2	16 391	40.2
	700	15 409	32.4	16 491	35.3
Rubber	500	15 073	45.1	16 155	48.0
Add on Rubber	500	15 492	46.1	16 574	49.0
	600	15 768	39.2	16 850	42.2
		ECR145F L, 4.6 m boom, 2.5 m arm, 443 kg bucket, 3 500 kg counterweight		ECR145F L with dozer blade, 4.6 m boom, 2.5 m arm, 443 kg bucket, 3 500 kg counterweight	
Description	Shoe width	Operating weight	Ground pressure	Operating weight	Ground pressure
	mm	kg	kPa	kg	kPa
Triple grouser	500	15 135	45.1	16 123	48.0
	600	15 332	38.2	16 320	40.2
	750	15 707	31.4	16 695	33.3
Triple grouser(HD)	600	15 403	38.2	16 391	40.2
	700	15 504	33.3	16 491	35.3
Rubber	500	15 167	45.1	16 155	48.0
Add on Rubber	500	15 586	46.1	16 574	49.0
	600	15 862	39.2	16 850	42.2
		ECR145F L, 4.72 m boom, 2.5 m arm, 443 kg bucket, 3 200 kg counterweight		ECR145F L with dozer blade, 4.72 m boom, 2.5 m arm, 443 kg bucket, 3 200 kg counterweight	
Description	Shoe width	Operating weight	Ground pressure	Operating weight	Ground pressure
	mm	kg	kPa	kg	kPa
Triple grouser	500	15 435	46.1	16 517	49.0
	600	15 632	39.2	16 714	41.2
	750	16 007	31.4	17 089	34.3
Triple grouser(HD)	600	15 703	39.2	16 785	41.2
	700	15 804	33.3	16 886	36.3
Rubber	500	15 467	46.1	16 550	49.0
Add on Rubber	500	15 886	47.1	16 968	51.0
	600	16 162	40.2	17 244	43.1
		ECR145F L, 4.72 m boom, 2.5 m arm, 443 kg bucket, 3 500 kg counterweight		ECR145F L with dozer blade, 4.72 m boom, 2.5 m arm, 443 kg bucket, 3 500 kg counterweight	

BUCKET SELECTION GUIDE

Bucket type		Capacity	Cutting width	Weight	Teeth	ECR145F L, 600 mm shoe, 3 200 kg counterweight, Dozer down					
						4.6 m boom			4.72 m 2-piece boom		
						L	mm	kg	EA	2.1 m	2.5 m
Direct fit Buckets General purpose	Without Quick Coupler	250	450	293	3	C	C	C	C	C	C
		330	600	324	3	C	C	C	C	C	C
		420	750	355	3	C	C	C	C	C	C
		540	900	403	4	C	C	C	C	C	C
		660	1 050	443	4	C	C	C	C	C	B
		770	1 200	504	5	C	B	A	B	B	A
	U type quick coupler	250	450	293	3	C	C	C	C	C	C
		330	600	324	3	C	C	C	C	C	C
		420	750	355	3	C	C	C	C	C	C
		540	900	403	4	C	C	C	C	C	B
		660	1 050	443	4	C	B	B	C	B	A
		770	1 200	504	5	B	A	X	B	A	X
	S type quick coupler	240	450	252	3	C	C	C	C	C	C
		330	600	327	3	C	C	C	C	C	C
		420	750	357	3	C	C	C	C	C	C
		540	900	406	4	C	C	C	C	C	B
		660	1 050	446	4	C	B	B	C	B	A
		770	1 200	508	5	B	A	X	B	A	X
Bucket type		Capacity	Cutting width	Weight	Teeth	ECR145F L, 600 mm shoe, 3 500 kg counterweight, Dozer down					
						4.6 m boom			4.72m 2-piece boom		
						L	mm	kg	EA	2.1 m	2.5 m
Direct fit Buckets General purpose	Without Quick Coupler	250	450	293	3	C	C	C	C	C	C
		330	600	324	3	C	C	C	C	C	C
		420	750	355	3	C	C	C	C	C	C
		540	900	403	4	C	C	C	C	C	C
		660	1 050	443	4	C	C	C	C	C	C
		770	1 200	504	5	C	C	B	C	B	A
	U type quick coupler	250	450	293	3	C	C	C	C	C	C
		330	600	324	3	C	C	C	C	C	C
		420	750	355	3	C	C	C	C	C	C
		540	900	403	4	C	C	C	C	C	C
		660	1 050	443	4	C	C	B	C	B	B
		770	1 200	504	5	B	B	A	B	A	X
	S type quick coupler	240	450	252	3	C	C	C	C	C	C
		330	600	327	3	C	C	C	C	C	C
		420	750	357	3	C	C	C	C	C	C
		540	900	406	4	C	C	C	C	C	C
		660	1 050	446	4	C	C	B	C	B	B
		770	1 200	508	5	B	B	X	B	B	X

Please consult with your Volvo dealer for the proper match of buckets and attachments to suit the application.
 The recommendations are given as a guide only, based on typical operation conditions.
 Bucket capacity based on ISO 7451, heaped material with a 1:1 angle of repose.

Maximum material density
 D: 2 100 kg/m³
 C: 1 800 kg/m³
 B: 1 500 kg/m³
 A: 1 200 kg/m³
 X : Not recommended

Specifications

LIFTING CAPACITY ECR145F L

Lifting capacity at the arm end without bucket.

For lifting capacity including bucket, simply subtract actual weight of the direct fit bucket or the bucket with quick coupler from the following values.

	Lifting hook related to ground level	1.5 m		3.0 m		4.5 m		6.0 m		7.5 m		Max.		
		Along UC	Across UC	Along UC	Across UC	Along UC	Across UC	Along UC	Across UC	Along UC	Across UC	Along UC	Across UC	m
Boom 4.0 m	6.0 kg			*5 850	*5 850							*4 280	*4 280	3.93 m
Arm 1.9 m	4.5 kg			*6 080	*6 080	*5 410	3 810					*3 610	2 990	5.21 m
Shoe 500 mm	3.0 kg			*8 220	6 910	*5 970	3 680					*3 460	2 470	5.84 m
Undercarriage: LC	1.5 kg					5 820	3 510	3 740	2 320			*3 600	2 310	6.02 m
Counterweight 3 200 kg	0 kg			*10 620	6 140	5 680	3 390					3 880	2 390	5.81 m
Dozer: without dozer blade	-1.5 kg	*7 970	*7 970	*9 020	6 150	5 660	3 370					4 630	2 820	5.16 m
	-3.0 kg			*5 300	*5 300									3.82 m
Boom 4.0 m	6.0 kg			*5 850	*5 850							*4 280	*4 280	3.93 m
Arm 1.9 m	4.5 kg			*6 080	*6 080	*5 410	4 010					*3 610	3 160	5.21 m
Shoe 500 mm	3.0 kg			*8 220	7 270	*5 970	3 890					*3 460	2 620	5.84 m
Undercarriage: LC	1.5 kg					6 280	3 710	*3 910	2 460			*3 600	2 450	6.02 m
Counterweight 3 200 kg	0 kg			*10 620	6 500	6 140	3 590					*4 060	2 540	5.81 m
Dozer: with dozer blade up	-1.5 kg	*7 970	*7 970	*9 020	6 510	*6 020	3 580					*4 710	2 990	5.16 m
	-3.0 kg			*5 300	*5 300									3.82 m
Boom 4.0 m	6.0 kg			*5 850	*5 850							*4 280	*4 280	3.93 m
Arm 1.9 m	4.5 kg			*6 080	*6 080	*5 410	4 310					*3 610	3 390	5.21 m
Shoe 500 mm	3.0 kg			*8 220	7 920	*5 970	4 180					*3 460	2 810	5.84 m
Undercarriage: LC	1.5 kg					*6 720	4 000	*3 910	2 650			*3 600	2 640	6.02 m
Counterweight 3 200 kg	0 kg			*10 620	7 130	*6 930	3 880					*4 060	2 740	5.81 m
Dozer: with dozer blade down	-1.5 kg	*7 970	*7 970	*9 020	7 140	*6 020	3 870					*4 710	3 230	5.16 m
	-3.0 kg			*5 300	*5 300									3.82 m
Boom 4.0 m	6.0 kg			*5 850	*5 850							*4 280	*4 280	3.93 m
Arm 1.9 m	4.5 kg			*6 080	*6 080	*5 410	3 850					*3 610	3 030	5.21 m
Shoe 600 mm	3.0 kg			*8 220	6 990	*5 970	3 730					*3 460	2 500	5.84 m
Undercarriage: LC	1.5 kg					5 900	3 550	3 790	2 350			*3 600	2 340	6.02 m
Counterweight 3 200 kg	0 kg			*10 620	6 230	5 760	3 440					3 930	2 430	5.81 m
Dozer: without dozer blade	-1.5 kg	*7 970	*7 970	*9 020	6 230	5 740	3 420					4 700	2 860	5.16 m
	-3.0 kg			*5 300	*5 300									3.82 m
Boom 4.0 m	6.0 kg			*5 850	*5 850							*4 280	*4 280	3.93 m
Arm 1.9 m	4.5 kg			*6 080	*6 080	*5 410	4 060					*3 610	3 200	5.21 m
Shoe 600 mm	3.0 kg			*8 220	7 350	*5 970	3 930					*3 460	2 650	5.84 m
Undercarriage: LC	1.5 kg					6 360	3 760	*3 910	2 500			*3 600	2 480	6.02 m
Counterweight 3 200 kg	0 kg			*10 620	6 590	6 220	3 640					*4 060	2 580	5.81 m
Dozer: with dozer blade up	-1.5 kg	*7 970	*7 970	*9 020	6 600	*6 020	3 630					*4 710	3 040	5.16 m
	-3.0 kg			*5 300	*5 300									3.82 m
Boom 4.0 m	6.0 kg			*5 850	*5 850							*4 280	*4 280	3.93 m
Arm 1.9 m	4.5 kg			*6 080	*6 080	*5 410	4 360					*3 610	3 430	5.21 m
Shoe 600 mm	3.0 kg			*8 220	8 010	*5 970	4 230					*3 460	2 850	5.84 m
Undercarriage: LC	1.5 kg					*6 720	4 060	*3 910	2 690			*3 600	2 670	6.02 m
Counterweight 3 200 kg	0 kg			*10 620	7 220	*6 930	3 940					*4 060	2 770	5.81 m
Dozer: with dozer blade down	-1.5 kg	*7 970	*7 970	*9 020	7 230	*6 020	3 920					*4 710	3 270	5.16 m
	-3.0 kg			*5 300	*5 300									3.82 m
Boom 4.0 m	6.0 kg			*5 850	*5 850							*4 280	*4 280	3.93 m
Arm 1.9 m	4.5 kg			*6 080	*6 080	*5 410	3 950					*3 610	3 110	5.21 m
Shoe 500 mm	3.0 kg			*8 220	7 160	*5 970	3 830					*3 460	2 570	5.84 m
Undercarriage: LC	1.5 kg					6 010	3 650	3 870	2 420			*3 600	2 410	6.02 m
Counterweight 3 500 kg	0 kg			*10 620	6 400	5 880	3 530					4 020	2 500	5.81 m
Dozer: without dozer blade	-1.5 kg	*7 970	*7 970	*9 020	6 410	5 860	3 520					*4 710	2 950	5.16 m
	-3.0 kg			*5 300	*5 300									3.82 m
Boom 4.0 m	6.0 kg			*5 850	*5 850							*4 280	*4 280	3.93 m
Arm 1.9 m	4.5 kg			*6 080	*6 080	*5 410	4 150					*3 610	3 280	5.21 m
Shoe 500 mm	3.0 kg			*8 220	7 520	*5 970	4 030					*3 460	2 720	5.84 m
Undercarriage: LC	1.5 kg					6 470	3 860	*3 910	2 560			*3 600	2 550	6.02 m
Counterweight 3 500 kg	0 kg			*10 620	6 760	6 340	3 740					*4 060	2 650	5.81 m
Dozer: with dozer blade up	-1.5 kg	*7 970	*7 970	*9 020	6 770	*6 020	3 720					*4 710	3 120	5.16 m
	-3.0 kg			*5 300	*5 300									3.82 m
Boom 4.0 m	6.0 kg			*5 850	*5 850							*4 280	*4 280	3.93 m
Arm 1.9 m	4.5 kg			*6 080	*6 080	*5 410	4 460					*3 610	3 520	5.21 m
Shoe 500 mm	3.0 kg			*8 220	8 190	*5 970	4 330					*3 460	2 920	5.84 m
Undercarriage: LC	1.5 kg					*6 720	4 160	*3 910	2 750			*3 600	2 740	6.02 m
Counterweight 3 500 kg	0 kg			*10 620	7 400	*6 930	4 030					*4 060	2 840	5.81 m
Dozer: with dozer blade down	-1.5 kg	*7 970	*7 970	*9 020	7 410	*6 020	4 020					*4 710	3 360	5.16 m
	-3.0 kg			*5 300	*5 300									3.82 m

Notes: 1. Machine in "Fine Mode-F" (Power Boost) for lifting capacities. 2. The above loads are in compliance with SAE J1097 and ISO 10567 Hydraulic Excavator Lifting Capacity Standards. 3. Rated loads do not exceed 87% of hydraulic lifting capacity or 75% of tipping load. 4. Rated loads marked with an asterisk (*) are limited by hydraulic capacity rather than tipping load.

LIFTING CAPACITY ECR145F L

Lifting capacity at the arm end without bucket.

For lifting capacity including bucket, simply subtract actual weight of the direct fit bucket or the bucket with quick coupler from the following values.

	Lifting hook related to ground level	1.5 m		3.0 m		4.5 m		6.0 m		7.5 m		Max.		
		Along UC	Across UC	Along UC	Across UC	Along UC	Across UC	Along UC	Across UC	Along UC	Across UC	Along UC	Across UC	m
Boom 4.0 m	6.0 kg			*5 850	*5 850							*4 280	*4 280	3.93 m
Arm 1.9 m	4.5 kg			*6 080	*6 080	*5 410	4 000					*3 610	3 150	5.21 m
Shoe 600 mm	3.0 kg			*8 220	7 250	*5 970	3 870					*3 460	2 610	5.84 m
Undercarriage: LC	1.5 kg					6 090	3 700	*3 910	2 450			*3 600	2 440	6.02 m
Counterweight 3 500 kg	0 kg			*10 620	6 480	5 960	3 580					*4 060	2 530	5.81 m
Dozer: without dozer blade	-1.5 kg	*7 970	*7 970	*9 020	6 490	5 940	3 560					*4 710	2 980	5.16 m
	-3.0 kg			*5 300	*5 300									3.82 m
Boom 4.0 m	6.0 kg			*5 850	*5 850							*4 280	*4 280	3.93 m
Arm 1.9 m	4.5 kg			*6 080	*6 080	*5 410	4 200					*3 610	3 320	5.21 m
Shoe 600 mm	3.0 kg			*8 220	7 610	*5 970	4 080					*3 460	2 750	5.84 m
Undercarriage: LC	1.5 kg					6 560	3 900	*3 910	2 600			*3 600	2 580	6.02 m
Counterweight 3 500 kg	0 kg			*10 620	6 850	6 420	3 790					*4 060	2 680	5.81 m
Dozer: with dozer blade up	-1.5 kg	*7 970	*7 970	*9 020	6 850	*6 020	3 770					*4 710	3 160	5.16 m
	-3.0 kg			*5 300	*5 300									3.82 m
Boom 4.0 m	6.0 kg			*5 850	*5 850							*4 280	*4 280	3.93 m
Arm 1.9 m	4.5 kg			*6 080	*6 080	*5 410	4 510					*3 610	3 560	5.21 m
Shoe 600 mm	3.0 kg			*8 220	*8 220	*5 970	4 380					*3 460	2 960	5.84 m
Undercarriage: LC	1.5 kg					*6 720	4 210	*3 910	2 790			*3 600	2 780	6.02 m
Counterweight 3 500 kg	0 kg			*10 620	7 490	*6 930	4 090					*4 060	2 880	5.81 m
Dozer: with dozer blade down	-1.5 kg	*7 970	*7 970	*9 020	7 500	*6 020	4 070					*4 710	3 400	5.16 m
	-3.0 kg			*5 300	*5 300									3.82 m

Notes: 1. Machine in "Fine Mode-F" (Power Boost) for lifting capacities. 2. The above loads are in compliance with SAE J1097 and ISO 10567 Hydraulic Excavator Lifting Capacity Standards. 3. Rated loads do not exceed 87% of hydraulic lifting capacity or 75% of tipping load. 4. Rated loads marked with an asterisk (*) are limited by hydraulic capacity rather than tipping load.

Specifications

LIFTING CAPACITY ECR145F L

Lifting capacity at the arm end without bucket.

For lifting capacity including bucket, simply subtract actual weight of the direct fit bucket or the bucket with quick coupler from the following values.

	Lifting hook related to ground level	1.5 m		3.0 m		4.5 m		6.0 m		7.5 m		Max.		
		Along UC	Across UC	Along UC	Across UC	Along UC	Across UC	Along UC	Across UC	Along UC	Across UC	Along UC	Across UC	m
Boom 4.6 m Arm 2.1 m Shoe 500 mm Undercarriage: LC Counterweight 3 200 kg Dozer: without dozer blade	7.5 kg											*5 700	*5 700	2.77 m
	6.0 kg			*4 700	*4 700	*4 590	3 860					*4 250	3 320	4.93 m
	4.5 kg			*5 640	*5 640	*4 770	3 810					3 840	2 410	5.99 m
	3.0 kg			*8 250	6 700	*5 590	3 620	3 780	2 360			3 300	2 060	6.54 m
	1.5 kg					5 710	3 410	3 690	2 270			3 130	1 930	6.70 m
	0 kg			*5 560	*5 560	5 560	3 270	3 620	2 210			3 220	1 980	6.51 m
	-1.5 kg	*5 190	*5 190	*9 200	5 950	5 520	3 240					3 670	2 240	5.94 m
	-3.0 kg			*6 950	6 080	*4 760	3 320					*4 180	3 020	4.84 m
Boom 4.6 m Arm 2.1 m Shoe 500 mm Undercarriage: LC Counterweight 3 200 kg Dozer: with dozer blade up	7.5 kg											*5 700	*5 700	2.77 m
	6.0 kg			*4 700	*4 700	*4 590	4 070					*4 250	3 500	4.93 m
	4.5 kg			*5 640	*5 640	*4 770	4 010					*3 940	2 550	5.99 m
	3.0 kg			*8 250	7 060	*5 590	3 820	4 090	2 500			3 580	2 190	6.54 m
	1.5 kg					6 170	3 610	4 000	2 410			3 390	2 060	6.70 m
	0 kg			*5 560	*5 560	6 020	3 480	3 930	2 350			3 500	2 110	6.51 m
	-1.5 kg	*5 190	*5 190	*9 200	6 310	5 980	3 450					3 980	2 380	5.94 m
	-3.0 kg			*6 950	6 440	*4 760	3 520					*4 180	3 200	4.84 m
Boom 4.6 m Arm 2.1 m Shoe 500 mm Undercarriage: LC Counterweight 3 200 kg Dozer: with dozer blade down	7.5 kg											*5 700	*5 700	2.77 m
	6.0 kg			*4 700	*4 700	*4 590	4 370					*4 250	3 760	4.93 m
	4.5 kg			*5 640	*5 640	*4 770	4 310					*3 940	2 740	5.99 m
	3.0 kg			*8 250	7 700	*5 590	4 120	*4 600	2 690			*3 950	2 350	6.54 m
	1.5 kg					*6 470	3 900	*4 890	2 600			*4 220	2 220	6.70 m
	0 kg			*5 560	*5 560	*6 820	3 770	*4 970	2 540			*4 470	2 270	6.51 m
	-1.5 kg	*5 190	*5 190	*9 200	6 930	*6 380	3 740					*4 460	2 570	5.94 m
	-3.0 kg			*6 950	*6 950	*4 760	3 810					*4 180	3 460	4.84 m
Boom 4.6 m Arm 2.1 m Shoe 500 mm Undercarriage: LC Counterweight 3 500 kg Dozer: without dozer blade	7.5 kg											*5 700	*5 700	2.77 m
	6.0 kg			*4 700	*4 700	*4 590	4 010					*4 250	3 450	4.93 m
	4.5 kg			*5 640	*5 640	*4 770	3 950					*3 940	2 510	5.99 m
	3.0 kg			*8 250	6 950	*5 590	3 760	3 910	2 460			3 420	2 150	6.54 m
	1.5 kg					5 910	3 550	3 820	2 370			3 240	2 020	6.70 m
	0 kg			*5 560	*5 560	5 750	3 420	3 750	2 310			3 340	2 070	6.51 m
	-1.5 kg	*5 190	*5 190	*9 200	6 210	5 720	3 390					3 800	2 340	5.94 m
	-3.0 kg			*6 950	6 340	*4 760	3 460					*4 180	3 150	4.84 m
Boom 4.6 m Arm 2.1 m Shoe 500 mm Undercarriage: LC Counterweight 3 500 kg Dozer: with dozer blade up	7.5 kg											*5 700	*5 700	2.77 m
	6.0 kg			*4 700	*4 700	*4 590	4 210					*4 250	3 630	4.93 m
	4.5 kg			*5 640	*5 640	*4 770	4 160					*3 940	2 650	5.99 m
	3.0 kg			*8 250	7 310	*5 590	3 970	4 220	2 600			3 700	2 280	6.54 m
	1.5 kg					6 370	3 760	4 130	2 510			3 510	2 150	6.70 m
	0 kg			*5 560	*5 560	6 220	3 620	4 060	2 450			3 620	2 200	6.51 m
	-1.5 kg	*5 190	*5 190	*9 200	6 570	6 180	3 590					4 110	2 480	5.94 m
	-3.0 kg			*6 950	6 700	*4 760	3 660					*4 180	3 330	4.84 m
Boom 4.6 m Arm 2.1 m Shoe 500 mm Undercarriage: LC Counterweight 3 500 kg Dozer: with dozer blade down	7.5 kg											*5 700	*5 700	2.77 m
	6.0 kg			*4 700	*4 700	*4 590	4 520					*4 250	3 890	4.93 m
	4.5 kg			*5 640	*5 640	*4 770	4 460					*3 940	2 850	5.99 m
	3.0 kg			*8 250	7 970	*5 590	4 270	*4 600	2 790			*3 950	2 450	6.54 m
	1.5 kg					*6 470	4 050	*4 890	2 710			*4 220	2 310	6.70 m
	0 kg			*5 560	*5 560	*6 820	3 920	*4 970	2 640			*4 470	2 370	6.51 m
	-1.5 kg	*5 190	*5 190	*9 200	7 200	*6 380	3 890					*4 460	2 670	5.94 m
	-3.0 kg			*6 950	*6 950	*4 760	3 960					*4 180	3 600	4.84 m
Boom 4.6 m Arm 2.1 m Shoe 600 mm Undercarriage: LC Counterweight 3 200 kg Dozer: without dozer blade	7.5 kg											*5 700	*5 700	2.77 m
	6.0 kg			*4 700	*4 700	*4 590	3 910					*4 250	3 360	4.93 m
	4.5 kg			*5 640	*5 640	*4 770	3 850					3 900	2 440	5.99 m
	3.0 kg			*8 250	6 780	*5 590	3 670	3 830	2 390			3 350	2 090	6.54 m
	1.5 kg					5 790	3 450	3 740	2 300			3 180	1 960	6.70 m
	0 kg			*5 560	*5 560	5 640	3 320	3 670	2 240			3 270	2 010	6.51 m
	-1.5 kg	*5 190	*5 190	*9 200	6 040	5 600	3 290					3 720	2 270	5.94 m
	-3.0 kg			*6 950	6 160	*4 760	3 360					*4 180	3 060	4.84 m

Notes: 1. Machine in "Fine Mode-F" (Power Boost) for lifting capacities. 2. The above loads are in compliance with SAE J1097 and ISO 10567 Hydraulic Excavator Lifting Capacity Standards. 3. Rated loads do not exceed 87% of hydraulic lifting capacity or 75% of tipping load. 4. Rated loads marked with an asterisk (*) are limited by hydraulic capacity rather than tipping load.

LIFTING CAPACITY ECR145F L

Lifting capacity at the arm end without bucket.

For lifting capacity including bucket, simply subtract actual weight of the direct fit bucket or the bucket with quick coupler from the following values.

	Lifting hook related to ground level	1.5 m		3.0 m		4.5 m		6.0 m		7.5 m		Max.			
		Along UC	Across UC	Along UC	Across UC	Along UC	Across UC	Along UC	Across UC	Along UC	Across UC	Along UC	Across UC	m	
Boom 4.6 m Arm 2.1 m Shoe 600 mm Undercarriage: LC Counterweight 3 200 kg Dozer: with dozer blade up	7.5 kg												*5 700	*5 700	2.77 m
	6.0 kg			*4 700	*4 700	*4 590	4 110						*4 250	3 540	4.93 m
	4.5 kg			*5 640	*5 640	*4 770	4 060						*3 940	2 590	5.99 m
	3.0 kg			*8 250	7 140	*5 590	3 870	4 140	2 530				3 630	2 220	6.54 m
	1.5 kg					6 260	3 660	4 050	2 450				3 440	2 090	6.70 m
	0 kg			*5 560	*5 560	6 100	3 530	3 980	2 390				3 550	2 140	6.51 m
	-1.5 kg	*5 190	*5 190	*9 200	6 400	6 060	3 490						4 040	2 410	5.94 m
-3.0 kg			*6 950	6 530	*4 760	3 570						*4 180	3 250	4.84 m	
Boom 4.6 m Arm 2.1 m Shoe 600 mm Undercarriage: LC Counterweight 3 200 kg Dozer: with dozer blade down	7.5 kg												*5 700	*5 700	2.77 m
	6.0 kg			*4 700	*4 700	*4 590	4 420						*4 250	3 800	4.93 m
	4.5 kg			*5 640	*5 640	*4 770	4 360						*3 940	2 780	5.99 m
	3.0 kg			*8 250	7 800	*5 590	4 170	*4 600	2 720				*3 950	2 380	6.54 m
	1.5 kg					*6 470	3 960	*4 890	2 640				*4 220	2 250	6.70 m
	0 kg			*5 560	*5 560	*6 820	3 820	*4 970	2 570				*4 470	2 300	6.51 m
	-1.5 kg	*5 190	*5 190	*9 200	7 030	*6 380	3 790						*4 460	2 610	5.94 m
-3.0 kg			*6 950	*6 950	*4 760	3 860						*4 180	3 510	4.84 m	
Boom 4.6 m Arm 2.1 m Shoe 600 mm Undercarriage: LC Counterweight 3 500 kg Dozer: without dozer blade	7.5 kg												*5 700	*5 700	2.77 m
	6.0 kg			*4 700	*4 700	*4 590	4 050						*4 250	3 490	4.93 m
	4.5 kg			*5 640	*5 640	*4 770	4 000						*3 940	2 540	5.99 m
	3.0 kg			*8 250	7 040	*5 590	3 810	3 970	2 490				3 470	2 180	6.54 m
	1.5 kg					5 990	3 600	3 870	2 410				3 290	2 050	6.70 m
	0 kg			*5 560	*5 560	5 840	3 460	3 810	2 340				3 390	2 100	6.51 m
	-1.5 kg	*5 190	*5 190	*9 200	6 290	5 800	3 430						3 860	2 370	5.94 m
-3.0 kg			*6 950	6 420	*4 760	3 510						*4 180	3 190	4.84 m	
Boom 4.6 m Arm 2.1 m Shoe 600 mm Undercarriage: LC Counterweight 3 500 kg Dozer: with dozer blade up	7.5 kg												*5 700	*5 700	2.77 m
	6.0 kg			*4 700	*4 700	*4 590	4 260						*4 250	3 670	4.93 m
	4.5 kg			*5 640	*5 640	*4 770	4 200						*3 940	2 690	5.99 m
	3.0 kg			*8 250	7 400	*5 590	4 020	4 280	2 630				3 750	2 310	6.54 m
	1.5 kg					6 450	3 800	4 180	2 550				3 560	2 180	6.70 m
	0 kg			*5 560	*5 560	6 300	3 670	4 120	2 490				3 670	2 230	6.51 m
	-1.5 kg	*5 190	*5 190	*9 200	6 660	6 260	3 640						4 170	2 520	5.94 m
-3.0 kg			*6 950	6 780	*4 760	3 710						*4 180	3 380	4.84 m	
Boom 4.6 m Arm 2.1 m Shoe 600 mm Undercarriage: LC Counterweight 3 500 kg Dozer: with dozer blade down	7.5 kg												*5 700	*5 700	2.77 m
	6.0 kg			*4 700	*4 700	*4 590	4 570						*4 250	3 940	4.93 m
	4.5 kg			*5 640	*5 640	*4 770	4 510						*3 940	2 880	5.99 m
	3.0 kg			*8 250	8 070	*5 590	4 320	*4 600	2 830				*3 950	2 480	6.54 m
	1.5 kg					*6 470	4 110	*4 890	2 740				*4 220	2 340	6.70 m
	0 kg			*5 560	*5 560	*6 820	3 970	*4 970	2 680				*4 470	2 400	6.51 m
	-1.5 kg	*5 190	*5 190	*9 200	7 300	*6 380	3 940						*4 460	2 710	5.94 m
-3.0 kg			*6 950	*6 950	*4 760	4 010						*4 180	3 650	4.84 m	
Boom 4.6 m Arm 2.1 m Shoe 700 mm Undercarriage: LC Counterweight 3 200 kg Dozer: without dozer blade	7.5 kg												*5 700	*5 700	2.77 m
	6.0 kg			*4 700	*4 700	*4 590	3 970						*4 250	3 420	4.93 m
	4.5 kg			*5 640	*5 640	*4 770	3 920						*3 940	2 490	5.99 m
	3.0 kg			*8 250	6 900	*5 590	3 730	3 910	2 430				3 420	2 130	6.54 m
	1.5 kg					5 900	3 520	3 820	2 350				3 240	2 000	6.70 m
	0 kg			*5 560	*5 560	5 750	3 390	3 750	2 290				3 340	2 050	6.51 m
	-1.5 kg	*5 190	*5 190	*9 200	6 150	5 710	3 350						3 800	2 320	5.94 m
-3.0 kg			*6 950	6 280	*4 760	3 430						*4 180	3 120	4.84 m	
Boom 4.6 m Arm 2.1 m Shoe 700 mm Undercarriage: LC Counterweight 3 200 kg Dozer: with dozer blade up	7.5 kg												*5 700	*5 700	2.77 m
	6.0 kg			*4 700	*4 700	*4 590	4 180						*4 250	3 600	4.93 m
	4.5 kg			*5 640	*5 640	*4 770	4 120						*3 940	2 630	5.99 m
	3.0 kg			*8 250	7 260	*5 590	3 940	4 220	2 580				3 690	2 260	6.54 m
	1.5 kg					6 370	3 720	4 130	2 490				3 510	2 130	6.70 m
	0 kg			*5 560	*5 560	6 210	3 590	4 060	2 430				3 610	2 180	6.51 m
	-1.5 kg	*5 190	*5 190	*9 200	6 520	6 170	3 560						4 110	2 460	5.94 m
-3.0 kg			*6 950	6 650	*4 760	3 630						*4 180	3 310	4.84 m	
Boom 4.6 m Arm 2.1 m Shoe 700 mm Undercarriage: LC Counterweight 3 200 kg Dozer: with dozer blade down	7.5 kg												*5 700	*5 700	2.77 m
	6.0 kg			*4 700	*4 700	*4 590	4 490						*4 250	3 870	4.93 m
	4.5 kg			*5 640	*5 640	*4 770	4 430						*3 940	2 830	5.99 m
	3.0 kg			*8 250	7 920	*5 590	4 240	*4 600	2 770				*3 950	2 430	6.54 m
	1.5 kg					*6 470	4 030	*4 890	2 690				*4 220	2 290	6.70 m
	0 kg			*5 560	*5 560	*6 820	3 890	*4 970	2 620				*4 470	2 350	6.51 m
	-1.5 kg	*5 190	*5 190	*9 200	7 150	*6 380	3 860						*4 460	2 660	5.94 m
-3.0 kg			*6 950	*6 950	*4 760	3 930						*4 180	3 570	4.84 m	

Notes: 1. Machine in "Fine Mode-F" (Power Boost) for lifting capacities. 2. The above loads are in compliance with SAE J1097 and ISO 10567 Hydraulic Excavator Lifting Capacity Standards. 3. Rated loads do not exceed 87% of hydraulic lifting capacity or 75% of tipping load. 4. Rated loads marked with an asterisk (*) are limited by hydraulic capacity rather than tipping load.

Specifications

LIFTING CAPACITY ECR145F L

Lifting capacity at the arm end without bucket.

For lifting capacity including bucket, simply subtract actual weight of the direct fit bucket or the bucket with quick coupler from the following values.

	Lifting hook related to ground level	1.5 m		3.0 m		4.5 m		6.0 m		7.5 m		Max.		
		Along UC	Across UC	Along UC	Across UC	Along UC	Across UC	Along UC	Across UC	Along UC	Across UC	Along UC	Across UC	m
Boom 4.6 m Arm 2.1 m Shoe 700 mm Undercarriage: LC Counterweight 3 500 kg Dozer: without dozer blade	7.5 kg											*5 700	*5 700	2.77 m
	6.0 kg			*4 700	*4 700	*4 590	4 120					*4 250	3 550	4.93 m
	4.5 kg			*5 640	*5 640	*4 770	4 060					*3 940	2 590	5.99 m
	3.0 kg			*8 250	7 150	*5 590	3 880	4 040	2 530			3 540	2 220	6.54 m
	1.5 kg					6 100	3 660	3 950	2 450			3 350	2 090	6.70 m
	0 kg			*5 560	*5 560	5 950	3 530	3 880	2 390			3 460	2 140	6.51 m
	-1.5 kg	*5 190	*5 190	*9 200	6 410	5 910	3 500					3 930	2 420	5.94 m
	-3.0 kg			*6 950	6 540	*4 760	3 570					*4 180	3 250	4.84 m
Boom 4.6 m Arm 2.1 m Shoe 700 mm Undercarriage: LC Counterweight 3 500 kg Dozer: with dozer blade up	7.5 kg											*5 700	*5 700	2.77 m
	6.0 kg			*4 700	*4 700	*4 590	4 320					*4 250	3 730	4.93 m
	4.5 kg			*5 640	*5 640	*4 770	4 270					*3 940	2 730	5.99 m
	3.0 kg			*8 250	7 520	*5 590	4 080	4 350	2 680			3 810	2 350	6.54 m
	1.5 kg					*6 470	3 870	4 260	2 590			3 620	2 220	6.70 m
	0 kg			*5 560	*5 560	6 410	3 740	4 190	2 530			3 730	2 270	6.51 m
	-1.5 kg	*5 190	*5 190	*9 200	6 770	6 370	3 700					4 240	2 560	5.94 m
	-3.0 kg			*6 950	6 900	*4 760	3 780					*4 180	3 440	4.84 m
Boom 4.6 m Arm 2.1 m Shoe 700 mm Undercarriage: LC Counterweight 3 500 kg Dozer: with dozer blade down	7.5 kg											*5 700	*5 700	2.77 m
	6.0 kg			*4 700	*4 700	*4 590	*4 590					*4 250	4 000	4.93 m
	4.5 kg			*5 640	*5 640	*4 770	4 580					*3 940	2 930	5.99 m
	3.0 kg			*8 250	8 190	*5 590	4 390	*4 600	2 870			*3 950	2 520	6.54 m
	1.5 kg					*6 470	4 180	*4 890	2 790			*4 220	2 380	6.70 m
	0 kg			*5 560	*5 560	*6 820	4 040	*4 970	2 730			*4 470	2 440	6.51 m
	-1.5 kg	*5 190	*5 190	*9 200	7 430	*6 380	4 010					*4 460	2 760	5.94 m
	-3.0 kg			*6 950	*6 950	*4 760	4 090					*4 180	3 710	4.84 m
Boom 4.6 m Arm 2.5 m Shoe 500 mm Undercarriage: LC Counterweight 3 200 kg Dozer: without dozer blade	7.5 kg			*4 760	*4 760							*4 330	*4 330	3.63 m
	6.0 kg					*4 110	3 930					*3 470	2 860	5.44 m
	4.5 kg			*4 360	*4 360	*4 380	3 860	3 870	2 440			*3 240	2 180	6.41 m
	3.0 kg			*7 380	6 870	*5 250	3 660	3 800	2 370			3 030	1 880	6.93 m
	1.5 kg					5 740	3 430	3 690	2 270			2 880	1 780	7.08 m
	0 kg			*6 070	5 910	5 550	3 270	3 610	2 200			2 950	1 810	6.91 m
	-1.5 kg	*4 680	*4 680	*9 700	5 890	5 490	3 210	3 580	2 170			3 300	2 010	6.37 m
	-3.0 kg	*9 140	*9 140	*7 770	5 990	*5 350	3 250					*4 080	2 580	5.36 m
Boom 4.6 m Arm 2.5 m Shoe 500 mm Undercarriage: LC Counterweight 3 200 kg Dozer: with dozer blade up	7.5 kg			*4 760	*4 760							*4 330	*4 330	3.63 m
	6.0 kg					*4 110	*4 110					*3 470	3 020	5.44 m
	4.5 kg			*4 360	*4 360	*4 380	4 060	*4 110	2 580			*3 240	2 310	6.41 m
	3.0 kg			*7 380	7 230	*5 250	3 870	4 110	2 510			*3 240	2 000	6.93 m
	1.5 kg					6 200	3 630	4 000	2 420			3 130	1 890	7.08 m
	0 kg			*6 070	*6 070	6 010	3 470	3 910	2 340			3 200	1 930	6.91 m
	-1.5 kg	*4 680	*4 680	*9 700	6 250	5 950	3 410	3 890	2 310			3 580	2 140	6.37 m
	-3.0 kg	*9 140	*9 140	*7 770	6 350	*5 350	3 450					*4 080	2 740	5.36 m
Boom 4.6 m Arm 2.5 m Shoe 500 mm Undercarriage: LC Counterweight 3 200 kg Dozer: with dozer blade down	7.5 kg			*4 760	*4 760							*4 330	*4 330	3.63 m
	6.0 kg					*4 110	*4 110					*3 470	3 240	5.44 m
	4.5 kg			*4 360	*4 360	*4 380	4 360	*4 110	2 770			*3 240	2 480	6.41 m
	3.0 kg			*7 380	*7 380	*5 250	4 160	*4 380	2 700			*3 240	2 160	6.93 m
	1.5 kg					*6 230	3 930	*4 760	2 600			*3 430	2 040	7.08 m
	0 kg			*6 070	*6 070	*6 760	3 760	*4 960	2 520			*3 860	2 080	6.91 m
	-1.5 kg	*4 680	*4 680	*9 700	6 870	*6 550	3 700	*4 660	2 500			*4 220	2 310	6.37 m
	-3.0 kg	*9 140	*9 140	*7 770	6 970	*5 350	3 750					*4 080	2 960	5.36 m
Boom 4.6 m Arm 2.5 m Shoe 500 mm Undercarriage: LC Counterweight 3 500 kg Dozer: without dozer blade	7.5 kg			*4 760	*4 760							*4 330	*4 330	3.63 m
	6.0 kg					*4 110	4 070					*3 470	2 980	5.44 m
	4.5 kg			*4 360	*4 360	*4 380	4 000	4 010	2 540			*3 240	2 270	6.41 m
	3.0 kg			*7 380	7 120	*5 250	3 810	3 930	2 470			3 140	1 970	6.93 m
	1.5 kg					5 940	3 570	3 830	2 370			2 990	1 860	7.08 m
	0 kg			*6 070	*6 070	5 750	3 410	3 740	2 300			3 060	1 890	6.91 m
	-1.5 kg	*4 680	*4 680	*9 700	6 140	5 680	3 350	3 710	2 270			3 420	2 100	6.37 m
	-3.0 kg	*9 140	*9 140	*7 770	6 240	*5 350	3 400					*4 080	2 690	5.36 m

Notes: 1. Machine in "Fine Mode-F" (Power Boost) for lifting capacities. 2. The above loads are in compliance with SAE J1097 and ISO 10567 Hydraulic Excavator Lifting Capacity Standards. 3. Rated loads do not exceed 87% of hydraulic lifting capacity or 75% of tipping load. 4. Rated loads marked with an asterisk (*) are limited by hydraulic capacity rather than tipping load.

LIFTING CAPACITY ECR145F L

Lifting capacity at the arm end without bucket.

For lifting capacity including bucket, simply subtract actual weight of the direct fit bucket or the bucket with quick coupler from the following values.

	Lifting hook related to ground level	1.5 m		3.0 m		4.5 m		6.0 m		7.5 m		Max.		
		Along UC	Across UC	Along UC	Across UC	Along UC	Across UC	Along UC	Across UC	Along UC	Across UC	Along UC	Across UC	m
Boom 4.6 m Arm 2.5 m Shoe 500 mm Undercarriage: LC Counterweight 3 500 kg Dozer: with dozer blade up	7.5 kg			*4 760	*4 760							*4 330	*4 330	3.63 m
	6.0 kg					*4 110	*4 110					*3 470	3 140	5.44 m
	4.5 kg			*4 360	*4 360	*4 380	4 200	*4 110	2 680			*3 240	2 400	6.41 m
	3.0 kg			*7 380	*7 380	*5 250	4 010	4 240	2 610			*3 240	2 090	6.93 m
	1.5 kg					*6 230	3 780	4 130	2 520			3 230	1 980	7.08 m
	0 kg			*6 070	*6 070	6 210	3 620	4 050	2 440			3 310	2 010	6.91 m
	-1.5 kg	*4 680	*4 680	*9 700	6 500	6 150	3 560	4 020	2 410				3 700	2 240
-3.0 kg	*9 140	*9 140	*7 770	6 600	*5 350	3 600						*4 080	2 860	5.36 m
Boom 4.6 m Arm 2.5 m Shoe 500 mm Undercarriage: LC Counterweight 3 500 kg Dozer: with dozer blade down	7.5 kg			*4 760	*4 760							*4 330	*4 330	3.63 m
	6.0 kg					*4 110	*4 110					*3 470	3 360	5.44 m
	4.5 kg			*4 360	*4 360	*4 380	*4 380	*4 110	2 870			*3 240	2 570	6.41 m
	3.0 kg			*7 380	*7 380	*5 250	4 310	*4 380	2 810			*3 240	2 240	6.93 m
	1.5 kg					*6 230	4 080	*4 760	2 710			*3 430	2 130	7.08 m
	0 kg			*6 070	*6 070	*6 760	3 910	*4 960	2 630			*3 860	2 170	6.91 m
	-1.5 kg	*4 680	*4 680	*9 700	7 140	*6 550	3 850	*4 660	2 600				*4 220	2 410
-3.0 kg	*9 140	*9 140	*7 770	7 240	*5 350	3 900						*4 080	3 080	5.36 m
Boom 4.6 m Arm 2.5 m Shoe 600 mm Undercarriage: LC Counterweight 3 200 kg Dozer: without dozer blade	7.5 kg			*4 760	*4 760							*4 330	*4 330	3.63 m
	6.0 kg					*4 110	3 980					*3 470	2 900	5.44 m
	4.5 kg			*4 360	*4 360	*4 380	3 900	3 930	2 470			*3 240	2 200	6.41 m
	3.0 kg			*7 380	6 950	*5 250	3 710	3 850	2 400			3 070	1 910	6.93 m
	1.5 kg					5 820	3 480	3 750	2 310			2 920	1 800	7.08 m
	0 kg			*6 070	5 990	5 630	3 310	3 660	2 230			2 990	1 840	6.91 m
	-1.5 kg	*4 680	*4 680	*9 700	5 970	5 570	3 260	3 630	2 200				3 350	2 040
-3.0 kg	*9 140	*9 140	*7 770	6 070	*5 350	3 300						*4 080	2 620	5.36 m
Boom 4.6 m Arm 2.5 m Shoe 600 mm Undercarriage: LC Counterweight 3 200 kg Dozer: with dozer blade up	7.5 kg			*4 760	*4 760							*4 330	*4 330	3.63 m
	6.0 kg					*4 110	*4 110					*3 470	3 060	5.44 m
	4.5 kg			*4 360	*4 360	*4 380	4 110	*4 110	2 610			*3 240	2 340	6.41 m
	3.0 kg			*7 380	7 320	*5 250	3 910	4 160	2 550			*3 240	2 030	6.93 m
	1.5 kg					*6 230	3 680	4 060	2 450			3 170	1 920	7.08 m
	0 kg			*6 070	*6 070	6 100	3 520	3 970	2 370			3 250	1 960	6.91 m
	-1.5 kg	*4 680	*4 680	*9 700	6 330	6 030	3 460	3 940	2 350				3 630	2 170
-3.0 kg	*9 140	*9 140	*7 770	6 430	*5 350	3 500						*4 080	2 780	5.36 m
Boom 4.6 m Arm 2.5 m Shoe 600 mm Undercarriage: LC Counterweight 3 200 kg Dozer: with dozer blade down	7.5 kg			*4 760	*4 760							*4 330	*4 330	3.63 m
	6.0 kg					*4 110	*4 110					*3 470	3 280	5.44 m
	4.5 kg			*4 360	*4 360	*4 380	*4 380	*4 110	2 810			*3 240	2 510	6.41 m
	3.0 kg			*7 380	*7 380	*5 250	4 220	*4 380	2 740			*3 240	2 190	6.93 m
	1.5 kg					*6 230	3 980	*4 760	2 640			*3 430	2 070	7.08 m
	0 kg			*6 070	*6 070	*6 760	3 810	*4 960	2 560			*3 860	2 110	6.91 m
	-1.5 kg	*4 680	*4 680	*9 700	6 960	*6 550	3 750	*4 660	2 530				*4 220	2 350
-3.0 kg	*9 140	*9 140	*7 770	7 060	*5 350	3 800						*4 080	3 000	5.36 m
Boom 4.6 m Arm 2.5 m Shoe 600 mm Undercarriage: LC Counterweight 3 500 kg Dozer: without dozer blade	7.5 kg			*4 760	*4 760							*4 330	*4 330	3.63 m
	6.0 kg					*4 110	*4 110					*3 470	3 010	5.44 m
	4.5 kg			*4 360	*4 360	*4 380	4 050	4 060	2 570			*3 240	2 300	6.41 m
	3.0 kg			*7 380	7 210	*5 250	3 850	3 990	2 500			3 180	2 000	6.93 m
	1.5 kg					6 020	3 620	3 880	2 410			3 030	1 890	7.08 m
	0 kg			*6 070	*6 070	5 830	3 460	3 790	2 330			3 100	1 920	6.91 m
	-1.5 kg	*4 680	*4 680	*9 700	6 220	5 760	3 400	3 760	2 300				3 470	2 130
-3.0 kg	*9 140	*9 140	*7 770	6 320	*5 350	3 440						*4 080	2 730	5.36 m
Boom 4.6 m Arm 2.5 m Shoe 600 mm Undercarriage: LC Counterweight 3 500 kg Dozer: with dozer blade up	7.5 kg			*4 760	*4 760							*4 330	*4 330	3.63 m
	6.0 kg					*4 110	*4 110					*3 470	3 170	5.44 m
	4.5 kg			*4 360	*4 360	*4 380	4 250	*4 110	2 710			*3 240	2 430	6.41 m
	3.0 kg			*7 380	*7 380	*5 250	4 060	4 290	2 650			*3 240	2 120	6.93 m
	1.5 kg					*6 230	3 830	4 190	2 550			3 280	2 000	7.08 m
	0 kg			*6 070	*6 070	6 300	3 660	4 100	2 470			3 360	2 040	6.91 m
	-1.5 kg	*4 680	*4 680	*9 700	6 590	6 230	3 600	4 070	2 450				3 750	2 270
-3.0 kg	*9 140	*9 140	*7 770	6 690	*5 350	3 650						*4 080	2 900	5.36 m

Notes: 1. Machine in "Fine Mode-F" (Power Boost) for lifting capacities. 2. The above loads are in compliance with SAE J1097 and ISO 10567 Hydraulic Excavator Lifting Capacity Standards. 3. Rated loads do not exceed 87% of hydraulic lifting capacity or 75% of tipping load. 4. Rated loads marked with an asterisk (*) are limited by hydraulic capacity rather than tipping load.

Specifications

LIFTING CAPACITY ECR145F L

Lifting capacity at the arm end without bucket.

For lifting capacity including bucket, simply subtract actual weight of the direct fit bucket or the bucket with quick coupler from the following values.

	Lifting hook related to ground level	1.5 m		3.0 m		4.5 m		6.0 m		7.5 m		Max.		
		Along UC	Across UC	Along UC	Across UC	Along UC	Across UC	Along UC	Across UC	Along UC	Across UC	Along UC	Across UC	m
Boom 4.6 m Arm 2.5 m Shoe 600 mm Undercarriage: LC Counterweight 3 500 kg Dozer: with dozer blade down	7.5 kg			*4 760	*4 760							*4 330	*4 330	3.63 m
	6.0 kg					*4 110	*4 110					*3 470	3 400	5.44 m
	4.5 kg			*4 360	*4 360	*4 380	*4 380	*4 110	2 910			*3 240	2 610	6.41 m
	3.0 kg			*7 380	*7 380	*5 250	4 370	*4 380	2 840			*3 240	2 270	6.93 m
	1.5 kg					*6 230	4 130	*4 760	2 740			*3 430	2 160	7.08 m
	0 kg			*6 070	*6 070	*6 760	3 960	*4 960	2 660			*3 860	2 200	6.91 m
	-1.5 kg	*4 680	*4 680	*9 700	7 230	*6 550	3 900	*4 660	2 640			*4 220	2 440	6.37 m
-3.0 kg	*9 140	*9 140	*7 770	7 330	*5 350	3 950					*4 080	3 120	5.36 m	
Boom 4.6 m Arm 2.5 m Shoe 700 mm Undercarriage: LC Counterweight 3 200 kg Dozer: without dozer blade	7.5 kg			*4 760	*4 760							*4 330	*4 330	3.63 m
	6.0 kg					*4 110	4 040					*3 470	2 950	5.44 m
	4.5 kg			*4 360	*4 360	*4 380	3 970	4 000	2 520			*3 240	2 250	6.41 m
	3.0 kg			*7 380	7 070	*5 250	3 770	3 930	2 450			3 130	1 950	6.93 m
	1.5 kg					5 930	3 540	3 820	2 350			2 980	1 840	7.08 m
	0 kg			*6 070	*6 070	5 750	3 380	3 740	2 270			3 060	1 870	6.91 m
	-1.5 kg	*4 680	*4 680	*9 700	6 080	5 680	3 320	3 710	2 250			3 420	2 080	6.37 m
-3.0 kg	*9 140	*9 140	*7 770	6 180	*5 350	3 360					*4 080	2 670	5.36 m	
Boom 4.6 m Arm 2.5 m Shoe 700 mm Undercarriage: LC Counterweight 3 200 kg Dozer: with dozer blade up	7.5 kg			*4 760	*4 760							*4 330	*4 330	3.63 m
	6.0 kg					*4 110	*4 110					*3 470	3 110	5.44 m
	4.5 kg			*4 360	*4 360	*4 380	4 170	*4 110	2 660			*3 240	2 380	6.41 m
	3.0 kg			*7 380	*7 380	*5 250	3 980	4 240	2 590			*3 240	2 070	6.93 m
	1.5 kg					*6 230	3 750	4 130	2 490			3 230	1 960	7.08 m
	0 kg			*6 070	*6 070	6 210	3 580	4 040	2 420			3 310	1 990	6.91 m
	-1.5 kg	*4 680	*4 680	*9 700	6 450	6 140	3 530	4 010	2 390			3 700	2 220	6.37 m
-3.0 kg	*9 140	*9 140	*7 770	6 550	*5 350	3 570					*4 080	2 830	5.36 m	
Boom 4.6 m Arm 2.5 m Shoe 700 mm Undercarriage: LC Counterweight 3 200 kg Dozer: with dozer blade down	7.5 kg			*4 760	*4 760							*4 330	*4 330	3.63 m
	6.0 kg					*4 110	*4 110					*3 470	3 340	5.44 m
	4.5 kg			*4 360	*4 360	*4 380	*4 380	*4 110	2 850			*3 240	2 560	6.41 m
	3.0 kg			*7 380	*7 380	*5 250	4 290	*4 380	2 790			*3 240	2 230	6.93 m
	1.5 kg					*6 230	4 050	*4 760	2 690			*3 430	2 110	7.08 m
	0 kg			*6 070	*6 070	*6 760	3 880	*4 960	2 610			*3 860	2 150	6.91 m
	-1.5 kg	*4 680	*4 680	*9 700	7 090	*6 550	3 820	*4 660	2 580			*4 220	2 390	6.37 m
-3.0 kg	*9 140	*9 140	*7 770	7 190	*5 350	3 870					*4 080	3 060	5.36 m	
Boom 4.6 m Arm 2.5 m Shoe 700 mm Undercarriage: LC Counterweight 3 500 kg Dozer: without dozer blade	7.5 kg			*4 760	*4 760							*4 330	*4 330	3.63 m
	6.0 kg					*4 110	*4 110					*3 470	3 060	5.44 m
	4.5 kg			*4 360	*4 360	*4 380	4 110	*4 110	2 620			*3 240	2 340	6.41 m
	3.0 kg			*7 380	7 320	*5 250	3 920	4 060	2 550			3 240	2 030	6.93 m
	1.5 kg					6 130	3 690	3 950	2 450			3 090	1 920	7.08 m
	0 kg			*6 070	*6 070	5 940	3 520	3 870	2 370			3 170	1 960	6.91 m
	-1.5 kg	*4 680	*4 680	*9 700	6 340	5 880	3 460	3 840	2 350			3 540	2 180	6.37 m
-3.0 kg	*9 140	*9 140	*7 770	6 440	*5 350	3 510					*4 080	2 780	5.36 m	
Boom 4.6 m Arm 2.5 m Shoe 700 mm Undercarriage: LC Counterweight 3 500 kg Dozer: with dozer blade up	7.5 kg			*4 760	*4 760							*4 330	*4 330	3.63 m
	6.0 kg					*4 110	*4 110					*3 470	3 220	5.44 m
	4.5 kg			*4 360	*4 360	*4 380	4 320	*4 110	2 760			*3 240	2 470	6.41 m
	3.0 kg			*7 380	*7 380	*5 250	4 120	4 370	2 690			*3 240	2 150	6.93 m
	1.5 kg					*6 230	3 890	4 260	2 600			3 340	2 040	7.08 m
	0 kg			*6 070	*6 070	6 410	3 730	4 180	2 520			3 420	2 080	6.91 m
	-1.5 kg	*4 680	*4 680	*9 700	6 710	6 340	3 670	4 150	2 490			3 820	2 310	6.37 m
-3.0 kg	*9 140	*9 140	*7 770	6 810	*5 350	3 710					*4 080	2 950	5.36 m	
Boom 4.6 m Arm 2.5 m Shoe 700 mm Undercarriage: LC Counterweight 3 500 kg Dozer: with dozer blade down	7.5 kg			*4 760	*4 760							*4 330	*4 330	3.63 m
	6.0 kg					*4 110	*4 110					*3 470	3 460	5.44 m
	4.5 kg			*4 360	*4 360	*4 380	*4 380	*4 110	2 960			*3 240	2 650	6.41 m
	3.0 kg			*7 380	*7 380	*5 250	4 440	*4 380	2 890			*3 240	2 320	6.93 m
	1.5 kg					*6 230	4 200	*4 760	2 790			*3 430	2 200	7.08 m
	0 kg			*6 070	*6 070	*6 760	4 040	*4 960	2 710			*3 860	2 240	6.91 m
	-1.5 kg	*4 680	*4 680	*9 700	7 360	*6 550	3 980	*4 660	2 690			*4 220	2 490	6.37 m
-3.0 kg	*9 140	*9 140	*7 770	7 460	*5 350	4 020					*4 080	3 180	5.36 m	
Boom 4.6 m Arm 3.0 m Shoe 500 mm Undercarriage: LC Counterweight 3 200 kg Dozer: without dozer blade	7.5 kg					*3 420	*3 420					*3 410	*3 410	4.50 m
	6.0 kg					*3 540	*3 540	*3 000	2 470			*2 870	2 430	6.05 m
	4.5 kg					*3 860	*3 860	*3 730	2 470			*2 710	1 920	6.94 m
	3.0 kg			*5 650	*5 650	*4 760	3 710	3 820	2 380			*2 710	1 680	7.41 m
	1.5 kg					5 780	3 460	3 690	2 270	2 630	1 610	2 600	1 590	7.56 m
	0 kg			*6 630	5 900	5 550	3 260	3 590	2 170			2 650	1 610	7.39 m
	-1.5 kg	*4 130	*4 130	*8 960	5 800	5 440	3 160	3 530	2 120			2 910	1 760	6.89 m
-3.0 kg	*7 560	*7 560	*8 600	5 860	5 450	3 170					3 580	2 160	5.98 m	
-4.5 kg			*5 450	*5 450								*3 430	*3 430	4.37 m

Notes: 1. Machine in "Fine Mode-F" (Power Boost) for lifting capacities. 2. The above loads are in compliance with SAE J1097 and ISO 10567 Hydraulic Excavator Lifting Capacity Standards. 3. Rated loads do not exceed 87% of hydraulic lifting capacity or 75% of tipping load. 4. Rated loads marked with an asterisk (*) are limited by hydraulic capacity rather than tipping load.

LIFTING CAPACITY ECR145F L

Lifting capacity at the arm end without bucket.

For lifting capacity including bucket, simply subtract actual weight of the direct fit bucket or the bucket with quick coupler from the following values.

	Lifting hook related to ground level	1.5 m		3.0 m		4.5 m		6.0 m		7.5 m		Max.		
		Along UC	Across UC	Along UC	Across UC	Along UC	Across UC	Along UC	Across UC	Along UC	Across UC	Along UC	Across UC	m
Boom 4.6 m Arm 3.0 m Shoe 500 mm Undercarriage: LC Counterweight 3 200 kg Dozer: with dozer blade up	7.5 kg					*3 420	*3 420					*3 410	*3 410	4.50 m
	6.0 kg					*3 540	*3 540	*3 000	2 610			*2 870	2 570	6.05 m
	4.5 kg					*3 860	*3 860	*3 730	2 610			*2 710	2 040	6.94 m
	3.0 kg			*5 650	*5 650	*4 760	3 920	*4 080	2 520			*2 710	1 790	7.41 m
	1.5 kg					*5 860	3 660	4 000	2 410	2 860	1 720	2 830	1 700	7.56 m
	0 kg			*6 630	6 260	6 010	3 460	3 890	2 310			2 880	1 720	7.39 m
	-1.5 kg	*4 130	*4 130	*8 960	6 160	5 900	3 360	3 840	2 260			3 160	1 880	6.89 m
	-3.0 kg	*7 560	*7 560	*8 600	6 220	*5 840	3 370					*3 880	2 310	5.98 m
	-4.5 kg			*5 450	*5 450							*3 430	*3 430	4.37 m
Boom 4.6 m Arm 3.0 m Shoe 500 mm Undercarriage: LC Counterweight 3 200 kg Dozer: with dozer blade down	7.5 kg					*3 420	*3 420					*3 410	*3 410	4.50 m
	6.0 kg					*3 540	*3 540	*3 000	2 800			*2 870	2 760	6.05 m
	4.5 kg					*3 860	*3 860	*3 730	2 800			*2 710	2 190	6.94 m
	3.0 kg			*5 650	*5 650	*4 760	4 220	*4 080	2 710			*2 710	1 930	7.41 m
	1.5 kg					*5 860	3 950	*4 540	2 600	*3 100	1 860	*2 850	1 840	7.56 m
	0 kg			*6 630	*6 630	*6 600	3 750	*4 860	2 500			*3 160	1 860	7.39 m
	-1.5 kg	*4 130	*4 130	*8 960	6 780	*6 650	3 650	*4 800	2 450			*3 760	2 040	6.89 m
	-3.0 kg	*7 560	*7 560	*8 600	6 840	*5 840	3 660					*3 880	2 490	5.98 m
	-4.5 kg			*5 450	*5 450							*3 430	*3 430	4.37 m
Boom 4.6 m Arm 3.0 m Shoe 500 mm Undercarriage: LC Counterweight 3 500 kg Dozer: without dozer blade	7.5 kg					*3 420	*3 420					*3 410	*3 410	4.50 m
	6.0 kg					*3 540	*3 540	*3 000	2 570			*2 870	2 530	6.05 m
	4.5 kg					*3 860	*3 860	*3 730	2 570			*2 710	2 000	6.94 m
	3.0 kg			*5 650	*5 650	*4 760	3 860	3 950	2 480			*2 710	1 760	7.41 m
	1.5 kg					*5 860	3 600	3 830	2 370	2 730	1 690	2 700	1 670	7.56 m
	0 kg			*6 630	6 160	5 740	3 400	3 720	2 270			2 750	1 690	7.39 m
	-1.5 kg	*4 130	*4 130	*8 960	6 060	5 640	3 310	3 660	2 220			3 020	1 850	6.89 m
	-3.0 kg	*7 560	*7 560	*8 600	6 120	5 650	3 310					3 720	2 260	5.98 m
	-4.5 kg			*5 450	*5 450							*3 430	*3 430	4.37 m
Boom 4.6 m Arm 3.0 m Shoe 500 mm Undercarriage: LC Counterweight 3 500 kg Dozer: with dozer blade up	7.5 kg					*3 420	*3 420					*3 410	*3 410	4.50 m
	6.0 kg					*3 540	*3 540	*3 000	2 710			*2 870	2 670	6.05 m
	4.5 kg					*3 860	*3 860	*3 730	2 710			*2 710	2 120	6.94 m
	3.0 kg			*5 650	*5 650	*4 760	4 060	*4 080	2 620			*2 710	1 870	7.41 m
	1.5 kg					*5 860	3 800	4 130	2 510	2 960	1 800	*2 850	1 780	7.56 m
	0 kg			*6 630	6 520	6 210	3 600	4 030	2 410			2 980	1 800	7.39 m
	-1.5 kg	*4 130	*4 130	*8 960	6 420	6 100	3 510	3 970	2 360			3 270	1 970	6.89 m
	-3.0 kg	*7 560	*7 560	*8 600	6 480	*5 840	3 520					*3 880	2 410	5.98 m
	-4.5 kg			*5 450	*5 450							*3 430	*3 430	4.37 m
Boom 4.6 m Arm 3.0 m Shoe 500 mm Undercarriage: LC Counterweight 3 500 kg Dozer: with dozer blade down	7.5 kg					*3 420	*3 420					*3 410	*3 410	4.50 m
	6.0 kg					*3 540	*3 540	*3 000	2 900			*2 870	2 860	6.05 m
	4.5 kg					*3 860	*3 860	*3 730	2 900			*2 710	2 280	6.94 m
	3.0 kg			*5 650	*5 650	*4 760	4 370	*4 080	2 820			*2 710	2 020	7.41 m
	1.5 kg					*5 860	4 100	*4 540	2 700	*3 100	1 940	*2 850	1 920	7.56 m
	0 kg			*6 630	*6 630	*6 600	3 900	*4 860	2 610			*3 160	1 940	7.39 m
	-1.5 kg	*4 130	*4 130	*8 960	7 050	*6 650	3 810	*4 800	2 550			*3 760	2 120	6.89 m
	-3.0 kg	*7 560	*7 560	*8 600	7 110	*5 840	3 810					*3 880	2 600	5.98 m
	-4.5 kg			*5 450	*5 450							*3 430	*3 430	4.37 m
Boom 4.6 m Arm 3.0 m Shoe 600 mm Undercarriage: LC Counterweight 3 200 kg Dozer: without dozer blade	7.5 kg					*3 420	*3 420					*3 410	*3 410	4.50 m
	6.0 kg					*3 540	*3 540	*3 000	2 500			*2 870	2 460	6.05 m
	4.5 kg					*3 860	*3 860	*3 730	2 500			*2 710	1 950	6.94 m
	3.0 kg			*5 650	*5 650	*4 760	3 760	3 870	2 410			*2 710	1 710	7.41 m
	1.5 kg					*5 860	3 500	3 750	2 300	2 670	1 640	2 640	1 620	7.56 m
	0 kg			*6 630	5 980	5 630	3 300	3 640	2 200			2 690	1 640	7.39 m
	-1.5 kg	*4 130	*4 130	*8 960	5 880	5 520	3 210	3 580	2 150			2 950	1 790	6.89 m
	-3.0 kg	*7 560	*7 560	*8 600	5 940	5 530	3 220					3 640	2 200	5.98 m
	-4.5 kg			*5 450	*5 450							*3 430	*3 430	4.37 m
Boom 4.6 m Arm 3.0 m Shoe 600 mm Undercarriage: LC Counterweight 3 200 kg Dozer: with dozer blade up	7.5 kg					*3 420	*3 420					*3 410	*3 410	4.50 m
	6.0 kg					*3 540	*3 540	*3 000	2 640			*2 870	2 600	6.05 m
	4.5 kg					*3 860	*3 860	*3 730	2 640			*2 710	2 070	6.94 m
	3.0 kg			*5 650	*5 650	*4 760	3 960	*4 080	2 560			*2 710	1 820	7.41 m
	1.5 kg					*5 860	3 710	4 060	2 440	2 900	1 750	*2 850	1 730	7.56 m
	0 kg			*6 630	6 350	6 090	3 510	3 950	2 350			2 920	1 750	7.39 m
	-1.5 kg	*4 130	*4 130	*8 960	6 250	5 980	3 410	3 890	2 300			3 210	1 910	6.89 m
	-3.0 kg	*7 560	*7 560	*8 600	6 310	*5 840	3 420					*3 880	2 340	5.98 m
	-4.5 kg			*5 450	*5 450							*3 430	*3 430	4.37 m

Notes: 1. Machine in "Fine Mode-F" (Power Boost) for lifting capacities. 2. The above loads are in compliance with SAE J1097 and ISO 10567 Hydraulic Excavator Lifting Capacity Standards. 3. Rated loads do not exceed 87% of hydraulic lifting capacity or 75% of tipping load. 4. Rated loads marked with an asterisk (*) are limited by hydraulic capacity rather than tipping load.

Specifications

LIFTING CAPACITY ECR145F L

Lifting capacity at the arm end without bucket.

For lifting capacity including bucket, simply subtract actual weight of the direct fit bucket or the bucket with quick coupler from the following values.

	Lifting hook related to ground level	1.5 m		3.0 m		4.5 m		6.0 m		7.5 m		Max.		
		Along UC	Across UC	Along UC	Across UC	Along UC	Across UC	Along UC	Across UC	Along UC	Across UC	Along UC	Across UC	m
Boom 4.6 m Arm 3.0 m Shoe 600 mm Undercarriage: LC Counterweight 3 200 kg Dozer: with dozer blade down	7.5 kg					*3 420	*3 420					*3 410	*3 410	4.50 m
	6.0 kg					*3 540	*3 540	*3 000	2 830			*2 870	2 790	6.05 m
	4.5 kg					*3 860	*3 860	*3 730	2 830			*2 710	2 220	6.94 m
	3.0 kg			*5 650	*5 650	*4 760	4 270	*4 080	2 750			*2 710	1 960	7.41 m
	1.5 kg					*5 860	4 010	*4 540	2 640	*3 100	1 890	*2 850	1 860	7.56 m
	0 kg			*6 630	*6 630	*6 600	3 800	*4 860	2 540			*3 160	1 890	7.39 m
	-1.5 kg	*4 130	*4 130	*8 960	6 870	*6 650	3 710	*4 800	2 490			*3 760	2 070	6.89 m
	-3.0 kg	*7 560	*7 560	*8 600	6 930	*5 840	3 710					*3 880	2 530	5.98 m
	-4.5 kg			*5 450	*5 450							*3 430	*3 430	4.37 m
Boom 4.6 m Arm 3.0 m Shoe 600 mm Undercarriage: LC Counterweight 3 500 kg Dozer: without dozer blade	7.5 kg					*3 420	*3 420					*3 410	*3 410	4.50 m
	6.0 kg					*3 540	*3 540	*3 000	2 600			*2 870	2 560	6.05 m
	4.5 kg					*3 860	*3 860	*3 730	2 600			*2 710	2 030	6.94 m
	3.0 kg			*5 650	*5 650	*4 760	3 900	4 000	2 510			*2 710	1 790	7.41 m
	1.5 kg					*5 860	3 650	3 880	2 400	2 770	1 710	2 740	1 690	7.56 m
	0 kg			*6 630	6 240	5 830	3 450	3 770	2 310			2 790	1 710	7.39 m
	-1.5 kg	*4 130	*4 130	*8 960	6 140	5 720	3 350	3 720	2 250			3 060	1 870	6.89 m
	-3.0 kg	*7 560	*7 560	*8 600	6 200	5 730	3 360					3 770	2 300	5.98 m
	-4.5 kg			*5 450	*5 450							*3 430	*3 430	4.37 m
Boom 4.6 m Arm 3.0 m Shoe 600 mm Undercarriage: LC Counterweight 3 500 kg Dozer: with dozer blade up	7.5 kg					*3 420	*3 420					*3 410	*3 410	4.50 m
	6.0 kg					*3 540	*3 540	*3 000	2 740			*2 870	2 700	6.05 m
	4.5 kg					*3 860	*3 860	*3 730	2 740			*2 710	2 150	6.94 m
	3.0 kg			*5 650	*5 650	*4 760	4 110	*4 080	2 660			*2 710	1 900	7.41 m
	1.5 kg					*5 860	3 850	4 190	2 540	3 000	1 820	*2 850	1 800	7.56 m
	0 kg			*6 630	6 600	6 290	3 650	4 080	2 450			3 020	1 830	7.39 m
	-1.5 kg	*4 130	*4 130	*8 960	6 500	6 180	3 560	4 030	2 400			3 320	2 000	6.89 m
	-3.0 kg	*7 560	*7 560	*8 600	6 560	*5 840	3 570					*3 880	2 440	5.98 m
	-4.5 kg			*5 450	*5 450							*3 430	*3 430	4.37 m
Boom 4.6 m Arm 3.0 m Shoe 600 mm Undercarriage: LC Counterweight 3 500 kg Dozer: with dozer blade down	7.5 kg					*3 420	*3 420					*3 410	*3 410	4.50 m
	6.0 kg					*3 540	*3 540	*3 000	2 940			*2 870	*2 870	6.05 m
	4.5 kg					*3 860	*3 860	*3 730	2 940			*2 710	2 310	6.94 m
	3.0 kg			*5 650	*5 650	*4 760	4 420	*4 080	2 850			*2 710	2 040	7.41 m
	1.5 kg					*5 860	4 160	*4 540	2 740	*3 100	1 970	*2 850	1 940	7.56 m
	0 kg			*6 630	*6 630	*6 600	3 950	*4 860	2 640			*3 160	1 970	7.39 m
	-1.5 kg	*4 130	*4 130	*8 960	7 140	*6 650	3 860	*4 800	2 590			*3 760	2 150	6.89 m
	-3.0 kg	*7 560	*7 560	*8 600	7 200	*5 840	3 870					*3 880	2 630	5.98 m
	-4.5 kg			*5 450	*5 450							*3 430	*3 430	4.37 m
Boom 4.6 m Arm 3.0 m Shoe 700 mm Undercarriage: LC Counterweight 3 200 kg Dozer: without dozer blade	7.5 kg					*3 420	*3 420					*3 410	*3 410	4.50 m
	6.0 kg					*3 540	*3 540	*3 000	2 540			*2 870	2 510	6.05 m
	4.5 kg					*3 860	*3 860	*3 730	2 540			*2 710	1 980	6.94 m
	3.0 kg			*5 650	*5 650	*4 760	3 820	3 950	2 460			*2 710	1 740	7.41 m
	1.5 kg					*5 860	3 570	3 820	2 350	2 730	1 670	2 690	1 650	7.56 m
	0 kg			*6 630	6 100	5 740	3 370	3 720	2 250			2 740	1 670	7.39 m
	-1.5 kg	*4 130	*4 130	*8 960	6 000	5 630	3 270	3 660	2 200			3 010	1 830	6.89 m
	-3.0 kg	*7 560	*7 560	*8 600	6 060	5 640	3 280					3 710	2 240	5.98 m
	-4.5 kg			*5 450	*5 450							*3 430	*3 430	4.37 m
Boom 4.6 m Arm 3.0 m Shoe 700 mm Undercarriage: LC Counterweight 3 200 kg Dozer: with dozer blade up	7.5 kg					*3 420	*3 420					*3 410	*3 410	4.50 m
	6.0 kg					*3 540	*3 540	*3 000	2 690			*2 870	2 650	6.05 m
	4.5 kg					*3 860	*3 860	*3 730	2 690			*2 710	2 100	6.94 m
	3.0 kg			*5 650	*5 650	*4 760	4 030	*4 080	2 600			*2 710	1 860	7.41 m
	1.5 kg					*5 860	3 770	4 130	2 490	2 960	1 780	*2 850	1 760	7.56 m
	0 kg			*6 630	6 470	6 200	3 570	4 020	2 390			2 980	1 780	7.39 m
	-1.5 kg	*4 130	*4 130	*8 960	6 370	6 090	3 480	3 970	2 340			3 270	1 950	6.89 m
	-3.0 kg	*7 560	*7 560	*8 600	6 420	*5 840	3 490					*3 880	2 390	5.98 m
	-4.5 kg			*5 450	*5 450							*3 430	*3 430	4.37 m
Boom 4.6 m Arm 3.0 m Shoe 700 mm Undercarriage: LC Counterweight 3 200 kg Dozer: with dozer blade down	7.5 kg					*3 420	*3 420					*3 410	*3 410	4.50 m
	6.0 kg					*3 540	*3 540	*3 000	2 880			*2 870	2 840	6.05 m
	4.5 kg					*3 860	*3 860	*3 730	2 880			*2 710	2 260	6.94 m
	3.0 kg			*5 650	*5 650	*4 760	4 340	*4 080	2 800			*2 710	2 000	7.41 m
	1.5 kg					*5 860	4 080	*4 540	2 680	*3 100	1 920	*2 850	1 900	7.56 m
	0 kg			*6 630	*6 630	*6 600	3 870	*4 860	2 590			*3 160	1 930	7.39 m
	-1.5 kg	*4 130	*4 130	*8 960	7 000	*6 650	3 780	*4 800	2 540			*3 760	2 110	6.89 m
	-3.0 kg	*7 560	*7 560	*8 600	7 060	*5 840	3 790					*3 880	2 580	5.98 m
	-4.5 kg			*5 450	*5 450							*3 430	*3 430	4.37 m

Notes: 1. Machine in "Fine Mode-F" (Power Boost) for lifting capacities. 2. The above loads are in compliance with SAE J1097 and ISO 10567 Hydraulic Excavator Lifting Capacity Standards. 3. Rated loads do not exceed 87% of hydraulic lifting capacity or 75% of tipping load. 4. Rated loads marked with an asterisk (*) are limited by hydraulic capacity rather than tipping load.

LIFTING CAPACITY ECR145F L

Lifting capacity at the arm end without bucket.

For lifting capacity including bucket, simply subtract actual weight of the direct fit bucket or the bucket with quick coupler from the following values.

	Lifting hook related to ground level	1.5 m		3.0 m		4.5 m		6.0 m		7.5 m		Max.		
		Along UC	Across UC	Along UC	Across UC	Along UC	Across UC	Along UC	Across UC	Along UC	Across UC	Along UC	Across UC	m
Boom 4.6 m Arm 3.0 m Shoe 700 mm Undercarriage: LC Counterweight 3 500 kg Dozer: without dozer blade	7.5 kg					*3 420	*3 420					*3 410	*3 410	4.50 m
	6.0 kg					*3 540	*3 540	*3 000	2 640			*2 870	2 600	6.05 m
	4.5 kg					*3 860	*3 860	*3 730	2 640			*2 710	2 070	6.94 m
	3.0 kg			*5 650	*5 650	*4 760	3 970	*4 080	2 560			*2 710	1 820	7.41 m
	1.5 kg					*5 860	3 710	3 950	2 450	2 820	1 750	2 790	1 730	7.56 m
	0 kg			*6 630	6 360	5 940	3 510	3 850	2 350			2 850	1 750	7.39 m
	-1.5 kg	*4 130	*4 130	*8 960	6 260	5 830	3 420	3 790	2 300			3 120	1 910	6.89 m
	-3.0 kg	*7 560	*7 560	*8 600	6 310	*5 840	3 420					3 850	2 340	5.98 m
	-4.5 kg			*5 450	*5 450							*3 430	*3 430	4.37 m
Boom 4.6 m Arm 3.0 m Shoe 700 mm Undercarriage: LC Counterweight 3 500 kg Dozer: with dozer blade up	7.5 kg					*3 420	*3 420					*3 410	*3 410	4.50 m
	6.0 kg					*3 540	*3 540	*3 000	2 790			*2 870	2 750	6.05 m
	4.5 kg					*3 860	*3 860	*3 730	2 790			*2 710	2 190	6.94 m
	3.0 kg			*5 650	*5 650	*4 760	4 170	*4 080	2 700			*2 710	1 930	7.41 m
	1.5 kg					*5 860	3 920	4 260	2 590	3 050	1 860	*2 850	1 840	7.56 m
	0 kg			*6 630	*6 630	6 400	3 720	4 150	2 490			3 080	1 860	7.39 m
	-1.5 kg	*4 130	*4 130	*8 960	6 620	6 290	3 620	4 100	2 440			3 380	2 030	6.89 m
	-3.0 kg	*7 560	*7 560	*8 600	6 680	*5 840	3 630					*3 880	2 490	5.98 m
	-4.5 kg			*5 450	*5 450							*3 430	*3 430	4.37 m
Boom 4.6 m Arm 3.0 m Shoe 700 mm Undercarriage: LC Counterweight 3 500 kg Dozer: with dozer blade down	7.5 kg					*3 420	*3 420					*3 410	*3 410	4.50 m
	6.0 kg					*3 540	*3 540	*3 000	2 990			*2 870	*2 870	6.05 m
	4.5 kg					*3 860	*3 860	*3 730	2 990			*2 710	2 350	6.94 m
	3.0 kg			*5 650	*5 650	*4 760	4 490	*4 080	2 900			*2 710	2 080	7.41 m
	1.5 kg					*5 860	4 230	*4 540	2 790	*3 100	2 000	*2 850	1 980	7.56 m
	0 kg			*6 630	*6 630	*6 600	4 020	*4 860	2 690			*3 160	2 010	7.39 m
	-1.5 kg	*4 130	*4 130	*8 960	7 270	*6 650	3 930	*4 800	2 640			*3 760	2 200	6.89 m
	-3.0 kg	*7 560	*7 560	*8 600	7 330	*5 840	3 940					*3 880	2 680	5.98 m
	-4.5 kg			*5 450	*5 450							*3 430	*3 430	4.37 m

Notes: 1. Machine in "Fine Mode-F" (Power Boost) for lifting capacities. 2. The above loads are in compliance with SAE J1097 and ISO 10567 Hydraulic Excavator Lifting Capacity Standards. 3. Rated loads do not exceed 87% of hydraulic lifting capacity or 75% of tipping load. 4. Rated loads marked with an asterisk (*) are limited by hydraulic capacity rather than tipping load.

Specifications

LIFTING CAPACITY ECR145F L

Lifting capacity at the arm end without bucket.

For lifting capacity including bucket, simply subtract actual weight of the direct fit bucket or the bucket with quick coupler from the following values.

	Lifting hook related to ground level	1.5 m		3.0 m		4.5 m		6.0 m		7.5 m		Max.		
		Along UC	Across UC	Along UC	Across UC	Along UC	Across UC	Along UC	Across UC	Along UC	Across UC	Along UC	Across UC	m
Boom 4.72 m 2pcs	7.5 kg			*6 210	*6 210							*5 410	*5 410	3.31 m
Arm 2.1 m	6.0 kg			*5 310	*5 310	*5 440	3 900					*4 020	3 010	5.24 m
Shoe 500 mm	4.5 kg			*5 440	*5 440	*5 640	3 830	3 880	2 420			3 620	2 250	6.24 m
Undercarriage: LC	3.0 kg					6 000	3 620	3 810	2 360			3 150	1 950	6.77 m
Counterweight 3 200 kg	1.5 kg					5 740	3 400	3 720	2 270			3 000	1 840	6.93 m
Dozer: without dozer blade	0 kg					5 590	3 260	3 640	2 200			3 090	1 880	6.75 m
	-1.5 kg			*7 200	5 960	*5 520	3 240	3 640	2 200			*3 300	2 120	6.2 m
Boom 4.72 m 2pcs	7.5 kg			*6 210	*6 210							*5 410	*5 410	3.31 m
Arm 2.1 m	6.0 kg			*5 310	*5 310	*5 440	4 110					*4 020	3 180	5.24 m
Shoe 500 mm	4.5 kg			*5 440	*5 440	*5 640	4 030	4 190	2 560			*3 630	2 390	6.24 m
Undercarriage: LC	3.0 kg					*6 290	3 820	4 120	2 500			3 410	2 070	6.77 m
Counterweight 3 200 kg	1.5 kg					6 200	3 600	4 020	2 410			3 260	1 960	6.93 m
Dozer: with dozer blade up	0 kg					6 050	3 470	3 950	2 350			3 350	2 010	6.75 m
	-1.5 kg			*7 200	6 320	*5 520	3 440	*3 680	2 340			*3 300	2 260	6.2 m
Boom 4.72 m 2pcs	7.5 kg			*6 210	*6 210							*5 410	*5 410	3.31 m
Arm 2.1 m	6.0 kg			*5 310	*5 310	*5 440	4 420					*4 020	3 420	5.24 m
Shoe 500 mm	4.5 kg			*5 440	*5 440	*5 640	4 340	*4 780	2 750			*3 630	2 570	6.24 m
Undercarriage: LC	3.0 kg					*6 290	4 130	*4 890	2 690			*3 550	2 230	6.77 m
Counterweight 3 200 kg	1.5 kg					*6 780	3 900	*4 980	2 600			*3 690	2 110	6.93 m
Dozer: with dozer blade down	0 kg					*6 580	3 760	*4 730	2 540			*3 810	2 170	6.75 m
	-1.5 kg			*7 200	6 950	*5 520	3 730	*3 680	2 530			*3 300	2 440	6.2 m
Boom 4.72 m 2pcs	7.5 kg			*6 210	*6 210							*5 410	*5 410	3.31 m
Arm 2.1 m	6.0 kg			*5 310	*5 310	*5 440	4 050					*4 020	3 130	5.24 m
Shoe 500 mm	4.5 kg			*5 440	*5 440	*5 640	3 970	4 010	2 520			*3 630	2 350	6.24 m
Undercarriage: LC	3.0 kg					6 200	3 770	3 950	2 460			3 260	2 030	6.77 m
Counterweight 3 500 kg	1.5 kg					5 940	3 540	3 850	2 370			3 110	1 920	6.93 m
Dozer: without dozer blade	0 kg					5 790	3 410	3 780	2 300			3 200	1 970	6.75 m
	-1.5 kg			*7 200	6 220	*5 520	3 380	*3 680	2 300			*3 300	2 220	6.2 m
Boom 4.72 m 2pcs	7.5 kg			*6 210	*6 210							*5 410	*5 410	3.31 m
Arm 2.1 m	6.0 kg			*5 310	*5 310	*5 440	4 250					*4 020	3 300	5.24 m
Shoe 500 mm	4.5 kg			*5 440	*5 440	*5 640	4 180	4 320	2 660			*3 630	2 480	6.24 m
Undercarriage: LC	3.0 kg					*6 290	3 970	4 250	2 600			3 530	2 150	6.77 m
Counterweight 3 500 kg	1.5 kg					6 400	3 740	4 150	2 510			3 360	2 040	6.93 m
Dozer: with dozer blade up	0 kg					6 250	3 610	4 080	2 450			3 460	2 090	6.75 m
	-1.5 kg			*7 200	6 580	*5 520	3 580	*3 680	2 440			*3 300	2 350	6.2 m
Boom 4.72 m 2pcs	7.5 kg			*6 210	*6 210							*5 410	*5 410	3.31 m
Arm 2.1 m	6.0 kg			*5 310	*5 310	*5 440	4 570					*4 020	3 540	5.24 m
Shoe 500 mm	4.5 kg			*5 440	*5 440	*5 640	4 490	*4 780	2 860			*3 630	2 670	6.24 m
Undercarriage: LC	3.0 kg					*6 290	4 280	*4 890	2 800			*3 550	2 320	6.77 m
Counterweight 3 500 kg	1.5 kg					*6 780	4 050	*4 980	2 710			*3 690	2 200	6.93 m
Dozer: with dozer blade down	0 kg					*6 580	3 910	*4 730	2 640			*3 810	2 260	6.75 m
	-1.5 kg			*7 200	*7 200	*5 520	3 890	*3 680	2 640			*3 300	2 540	6.2 m
Boom 4.72 m 2pcs	7.5 kg			*6 210	*6 210							*5 410	*5 410	3.31 m
Arm 2.1 m	6.0 kg			*5 310	*5 310	*5 440	3 950					*4 020	3 050	5.24 m
Shoe 600 mm	4.5 kg			*5 440	*5 440	*5 640	3 870	3 930	2 450			*3 630	2 280	6.24 m
Undercarriage: LC	3.0 kg					6 080	3 670	3 870	2 390			3 200	1 970	6.77 m
Counterweight 3 200 kg	1.5 kg					5 820	3 440	3 770	2 300			3 050	1 870	6.93 m
Dozer: without dozer blade	0 kg					5 670	3 310	3 700	2 240			3 130	1 910	6.75 m
	-1.5 kg			*7 200	6 040	*5 520	3 280	*3 680	2 230			*3 300	2 150	6.2 m
Boom 4.72 m 2pcs	7.5 kg			*6 210	*6 210							*5 410	*5 410	3.31 m
Arm 2.1 m	6.0 kg			*5 310	*5 310	*5 440	4 160					*4 020	3 220	5.24 m
Shoe 600 mm	4.5 kg			*5 440	*5 440	*5 640	4 080	4 240	2 590			*3 630	2 420	6.24 m
Undercarriage: LC	3.0 kg					*6 290	3 870	4 180	2 530			3 460	2 100	6.77 m
Counterweight 3 200 kg	1.5 kg					6 290	3 650	4 080	2 440			3 300	1 990	6.93 m
Dozer: with dozer blade up	0 kg					6 130	3 510	4 010	2 380			3 400	2 040	6.75 m
	-1.5 kg			*7 200	6 410	*5 520	3 490	*3 680	2 380			*3 300	2 290	6.2 m
Boom 4.72 m 2pcs	7.5 kg			*6 210	*6 210							*5 410	*5 410	3.31 m
Arm 2.1 m	6.0 kg			*5 310	*5 310	*5 440	4 470					*4 020	3 460	5.24 m
Shoe 600 mm	4.5 kg			*5 440	*5 440	*5 640	4 390	*4 780	2 790			*3 630	2 600	6.24 m
Undercarriage: LC	3.0 kg					*6 290	4 180	*4 890	2 730			*3 550	2 260	6.77 m
Counterweight 3 200 kg	1.5 kg					*6 780	3 950	*4 980	2 640			*3 690	2 140	6.93 m
Dozer: with dozer blade down	0 kg					*6 580	3 810	*4 730	2 570			*3 810	2 200	6.75 m
	-1.5 kg			*7 200	7 040	*5 520	3 790	*3 680	2 570			*3 300	2 470	6.2 m

Notes: 1. Machine in "Fine Mode-F" (Power Boost) for lifting capacities. 2. The above loads are in compliance with SAE J1097 and ISO 10567 Hydraulic Excavator Lifting Capacity Standards. 3. Rated loads do not exceed 87% of hydraulic lifting capacity or 75% of tipping load. 4. Rated loads marked with an asterisk (*) are limited by hydraulic capacity rather than tipping load.

LIFTING CAPACITY ECR145F L

Lifting capacity at the arm end without bucket.

For lifting capacity including bucket, simply subtract actual weight of the direct fit bucket or the bucket with quick coupler from the following values.

	Lifting hook related to ground level	1.5 m		3.0 m		4.5 m		6.0 m		7.5 m		Max.		
		Along UC	Across UC	Along UC	Across UC	Along UC	Across UC	Along UC	Across UC	Along UC	Across UC	Along UC	Across UC	m
Boom 4.72 m 2pcs	7.5 kg			*6 210	*6 210							*5 410	*5 410	3.31 m
Arm 2.1 m	6.0 kg			*5 310	*5 310	*5 440	4 090					*4 020	3 170	5.24 m
Shoe 600 mm	4.5 kg			*5 440	*5 440	*5 640	4 020	4 070	2 550			*3 630	2 380	6.24 m
Undercarriage: LC	3.0 kg					6 280	3 810	4 000	2 490			3 310	2 060	6.77 m
Counterweight 3 500 kg	1.5 kg					6 020	3 590	3 900	2 400			3 150	1 950	6.93 m
Dozer: without dozer blade	0 kg					5 870	3 450	3 830	2 340			3 250	2 000	6.75 m
	-1.5 kg			*7 200	6 300	*5 520	3 430	*3 680	2 330			*3 300	2 250	6.2 m
Boom 4.72 m 2pcs	7.5 kg			*6 210	*6 210							*5 410	*5 410	3.31 m
Arm 2.1 m	6.0 kg			*5 310	*5 310	*5 440	4 300					*4 020	3 340	5.24 m
Shoe 600 mm	4.5 kg			*5 440	*5 440	*5 640	4 220	4 380	2 690			*3 630	2 520	6.24 m
Undercarriage: LC	3.0 kg					*6 290	4 020	4 310	2 630			*3 550	2 180	6.77 m
Counterweight 3 500 kg	1.5 kg					6 490	3 790	4 210	2 540			3 410	2 070	6.93 m
Dozer: with dozer blade up	0 kg					6 330	3 660	4 140	2 480			3 510	2 120	6.75 m
	-1.5 kg			*7 200	6 660	*5 520	3 630	*3 680	2 480			*3 300	2 380	6.2 m
Boom 4.72 m 2pcs	7.5 kg			*6 210	*6 210							*5 410	*5 410	3.31 m
Arm 2.1 m	6.0 kg			*5 310	*5 310	*5 440	4 620					*4 020	3 590	5.24 m
Shoe 600 mm	4.5 kg			*5 440	*5 440	*5 640	4 540	*4 780	2 890			*3 630	2 700	6.24 m
Undercarriage: LC	3.0 kg					*6 290	4 330	*4 890	2 830			*3 550	2 350	6.77 m
Counterweight 3 500 kg	1.5 kg					*6 780	4 100	*4 980	2 740			*3 690	2 230	6.93 m
Dozer: with dozer blade down	0 kg					*6 580	3 960	*4 730	2 680			*3 810	2 290	6.75 m
	-1.5 kg			*7 200	*7 200	*5 520	3 940	*3 680	2 670			*3 300	2 570	6.2 m
Boom 4.72 m 2pcs	7.5 kg			*6 210	*6 210							*5 410	*5 410	3.31 m
Arm 2.1 m	6.0 kg			*5 310	*5 310	*5 440	4 020					*4 020	3 100	5.24 m
Shoe 700 mm	4.5 kg			*5 440	*5 440	*5 640	3 940	4 010	2 500			*3 630	2 330	6.24 m
Undercarriage: LC	3.0 kg					6 190	3 730	3 940	2 440			3 260	2 010	6.77 m
Counterweight 3 200 kg	1.5 kg					5 940	3 510	3 840	2 350			3 110	1 900	6.93 m
Dozer: without dozer blade	0 kg					5 780	3 370	3 770	2 280			3 200	1 950	6.75 m
	-1.5 kg			*7 200	6 160	*5 520	3 350	*3 680	2 280			*3 300	2 190	6.2 m
Boom 4.72 m 2pcs	7.5 kg			*6 210	*6 210							*5 410	*5 410	3.31 m
Arm 2.1 m	6.0 kg			*5 310	*5 310	*5 440	4 220					*4 020	3 270	5.24 m
Shoe 700 mm	4.5 kg			*5 440	*5 440	*5 640	4 150	4 320	2 640			*3 630	2 460	6.24 m
Undercarriage: LC	3.0 kg					*6 290	3 940	4 250	2 580			3 520	2 140	6.77 m
Counterweight 3 200 kg	1.5 kg					6 400	3 710	4 150	2 490			3 360	2 020	6.93 m
Dozer: with dozer blade up	0 kg					6 240	3 580	4 080	2 430			3 460	2 070	6.75 m
	-1.5 kg			*7 200	6 520	*5 520	3 550	*3 680	2 420			*3 300	2 330	6.2 m
Boom 4.72 m 2pcs	7.5 kg			*6 210	*6 210							*5 410	*5 410	3.31 m
Arm 2.1 m	6.0 kg			*5 310	*5 310	*5 440	4 540					*4 020	3 520	5.24 m
Shoe 700 mm	4.5 kg			*5 440	*5 440	*5 640	4 460	*4 780	2 840			*3 630	2 650	6.24 m
Undercarriage: LC	3.0 kg					*6 290	4 250	*4 890	2 780			*3 550	2 300	6.77 m
Counterweight 3 200 kg	1.5 kg					*6 780	4 020	*4 980	2 690			*3 690	2 190	6.93 m
Dozer: with dozer blade down	0 kg					*6 580	3 880	*4 730	2 620			*3 810	2 240	6.75 m
	-1.5 kg			*7 200	7 170	*5 520	3 860	*3 680	2 620			*3 300	2 520	6.2 m
Boom 4.72 m 2pcs	7.5 kg			*6 210	*6 210							*5 410	*5 410	3.31 m
Arm 2.1 m	6.0 kg			*5 310	*5 310	*5 440	4 160					*4 020	3 220	5.24 m
Shoe 700 mm	4.5 kg			*5 440	*5 440	*5 640	4 080	4 140	2 600			*3 630	2 420	6.24 m
Undercarriage: LC	3.0 kg					*6 290	3 880	4 080	2 540			3 370	2 100	6.77 m
Counterweight 3 500 kg	1.5 kg					6 130	3 650	3 980	2 450			3 220	1 990	6.93 m
Dozer: without dozer blade	0 kg					5 980	3 520	3 900	2 380			3 310	2 040	6.75 m
	-1.5 kg			*7 200	6 410	*5 520	3 490	*3 680	2 380			*3 300	2 290	6.2 m
Boom 4.72 m 2pcs	7.5 kg			*6 210	*6 210							*5 410	*5 410	3.31 m
Arm 2.1 m	6.0 kg			*5 310	*5 310	*5 440	4 370					*4 020	3 390	5.24 m
Shoe 700 mm	4.5 kg			*5 440	*5 440	*5 640	4 290	4 450	2 740			*3 630	2 560	6.24 m
Undercarriage: LC	3.0 kg					*6 290	4 080	4 380	2 680			*3 550	2 220	6.77 m
Counterweight 3 500 kg	1.5 kg					6 600	3 860	4 280	2 590			3 470	2 110	6.93 m
Dozer: with dozer blade up	0 kg					6 440	3 720	4 210	2 530			3 580	2 160	6.75 m
	-1.5 kg			*7 200	6 780	*5 520	3 700	*3 680	2 520			*3 300	2 430	6.2 m
Boom 4.72 m 2pcs	7.5 kg			*6 210	*6 210							*5 410	*5 410	3.31 m
Arm 2.1 m	6.0 kg			*5 310	*5 310	*5 440	4 690					*4 020	3 640	5.24 m
Shoe 700 mm	4.5 kg			*5 440	*5 440	*5 640	4 610	*4 780	2 940			*3 630	2 750	6.24 m
Undercarriage: LC	3.0 kg					*6 290	4 400	*4 890	2 880			*3 550	2 390	6.77 m
Counterweight 3 500 kg	1.5 kg					*6 780	4 170	*4 980	2 790			*3 690	2 270	6.93 m
Dozer: with dozer blade down	0 kg					*6 580	4 030	*4 730	2 730			*3 810	2 330	6.75 m
	-1.5 kg			*7 200	*7 200	*5 520	4 010	*3 680	2 720			*3 300	2 620	6.2 m

Notes: 1. Machine in "Fine Mode-F" (Power Boost) for lifting capacities. 2. The above loads are in compliance with SAE J1097 and ISO 10567 Hydraulic Excavator Lifting Capacity Standards. 3. Rated loads do not exceed 87% of hydraulic lifting capacity or 75% of tipping load. 4. Rated loads marked with an asterisk (*) are limited by hydraulic capacity rather than tipping load.

Specifications

LIFTING CAPACITY ECR145F L

Lifting capacity at the arm end without bucket.

For lifting capacity including bucket, simply subtract actual weight of the direct fit bucket or the bucket with quick coupler from the following values.

	Lifting hook related to ground level	1.5 m		3.0 m		4.5 m		6.0 m		7.5 m		Max.		
		Along UC	Across UC	Along UC	Across UC	Along UC	Across UC	Along UC	Across UC	Along UC	Across UC	Along UC	Across UC	m
Boom 4.72 m 2pcs Arm 2.5 m Shoe 500 mm Undercarriage: LC Counterweight 3 200 kg Dozer: without dozer blade	7.5 kg			*5 340	*5 340							*4 110	*4 110	4.09 m
	6.0 kg					*4 690	3 970					*3 250	2 620	5.75 m
	4.5 kg			*4 030	*4 030	*4 850	3 880	3 920	2 450			*2 970	2 030	6.68 m
	3.0 kg					*6 030	3 670	3 830	2 370			2 890	1 780	7.17 m
	1.5 kg					5 770	3 420	3 720	2 270			2 760	1 690	7.32 m
	0 kg					5 580	3 260	3 630	2 190			2 830	1 720	7.15 m
	-1.5 kg			*8 070	5 880	5 520	3 200	3 600	2 160			3 140	1 910	6.63 m
	-3.0 kg			*5 270	*5 270	*3 990	3 250							5.67 m
Boom 4.72 m 2pcs Arm 2.5 m Shoe 500 mm Undercarriage: LC Counterweight 3 200 kg Dozer: with dozer blade up	7.5 kg			*5 340	*5 340							*4 110	*4 110	4.09 m
	6.0 kg					*4 690	4 170					*3 250	2 760	5.75 m
	4.5 kg			*4 030	*4 030	*4 850	4 090	4 230	2 590			*2 970	2 160	6.68 m
	3.0 kg					*6 030	3 870	4 140	2 520			*2 910	1 890	7.17 m
	1.5 kg					6 230	3 620	4 030	2 410			3 000	1 800	7.32 m
	0 kg					6 040	3 460	3 940	2 330			3 070	1 840	7.15 m
	-1.5 kg			*8 070	6 250	*5 860	3 400	3 910	2 310			*3 190	2 030	6.63 m
	-3.0 kg			*5 270	*5 270	*3 990	3 450							5.67 m
Boom 4.72 m 2pcs Arm 2.5 m Shoe 500 mm Undercarriage: LC Counterweight 3 200 kg Dozer: with dozer blade down	7.5 kg			*5 340	*5 340							*4 110	*4 110	4.09 m
	6.0 kg					*4 690	4 480					*3 250	2 970	5.75 m
	4.5 kg			*4 030	*4 030	*4 850	4 390	*4 570	2 790			*2 970	2 320	6.68 m
	3.0 kg					*6 030	4 170	*4 760	2 710			*2 910	2 040	7.17 m
	1.5 kg					*6 670	3 920	*4 940	2 600			*3 010	1 940	7.32 m
	0 kg					*6 680	3 750	*4 830	2 520			*3 270	1 980	7.15 m
	-1.5 kg			*8 070	6 870	*5 860	3 700	*4 110	2 500			*3 190	2 200	6.63 m
	-3.0 kg			*5 270	*5 270	*3 990	3 750							5.67 m
Boom 4.72 m 2pcs Arm 2.5 m Shoe 500 mm Undercarriage: LC Counterweight 3 500 kg Dozer: without dozer blade	7.5 kg			*5 340	*5 340							*4 110	*4 110	4.09 m
	6.0 kg					*4 690	4 120					*3 250	2 720	5.75 m
	4.5 kg			*4 030	*4 030	*4 850	4 030	4 050	2 550			*2 970	2 120	6.68 m
	3.0 kg					*6 030	3 810	3 970	2 470			*2 910	1 860	7.17 m
	1.5 kg					5 970	3 560	3 850	2 370			2 860	1 770	7.32 m
	0 kg					5 780	3 400	3 760	2 290			2 930	1 800	7.15 m
	-1.5 kg			*8 070	6 140	5 720	3 350	3 740	2 260			*3 190	2 000	6.63 m
	-3.0 kg			*5 270	*5 270	*3 990	3 390							5.67 m
Boom 4.72 m 2pcs Arm 2.5 m Shoe 500 mm Undercarriage: LC Counterweight 3 500 kg Dozer: with dozer blade up	7.5 kg			*5 340	*5 340							*4 110	*4 110	4.09 m
	6.0 kg					*4 690	4 320					*3 250	2 870	5.75 m
	4.5 kg			*4 030	*4 030	*4 850	4 230	4 360	2 690			*2 970	2 250	6.68 m
	3.0 kg					*6 030	4 010	4 270	2 620			*2 910	1 980	7.17 m
	1.5 kg					6 430	3 770	4 160	2 510			*3 010	1 880	7.32 m
	0 kg					6 240	3 600	4 070	2 430			3 180	1 920	7.15 m
	-1.5 kg			*8 070	6 500	*5 860	3 550	4 040	2 410			*3 190	2 120	6.63 m
	-3.0 kg			*5 270	*5 270	*3 990	3 600							5.67 m
Boom 4.72 m 2pcs Arm 2.5 m Shoe 500 mm Undercarriage: LC Counterweight 3 500 kg Dozer: with dozer blade down	7.5 kg			*5 340	*5 340							*4 110	*4 110	4.09 m
	6.0 kg					*4 690	4 630					*3 250	3 080	5.75 m
	4.5 kg			*4 030	*4 030	*4 850	4 540	*4 570	2 890			*2 970	2 410	6.68 m
	3.0 kg					*6 030	4 320	*4 760	2 810			*2 910	2 130	7.17 m
	1.5 kg					*6 670	4 070	*4 940	2 710			*3 010	2 030	7.32 m
	0 kg					*6 680	3 900	*4 830	2 630			*3 270	2 070	7.15 m
	-1.5 kg			*8 070	7 140	*5 860	3 850	*4 110	2 600			*3 190	2 290	6.63 m
	-3.0 kg			*5 270	*5 270	*3 990	3 900							5.67 m
Boom 4.72 m 2pcs Arm 2.5 m Shoe 600 mm Undercarriage: LC Counterweight 3 200 kg Dozer: without dozer blade	7.5 kg			*5 340	*5 340							*4 110	*4 110	4.09 m
	6.0 kg					*4 690	4 020					*3 250	2 650	5.75 m
	4.5 kg			*4 030	*4 030	*4 850	3 930	3 970	2 480			*2 970	2 060	6.68 m
	3.0 kg					*6 030	3 710	3 890	2 410			*2 910	1 810	7.17 m
	1.5 kg					5 850	3 470	3 770	2 300			2 800	1 710	7.32 m
	0 kg					5 660	3 300	3 680	2 220			2 870	1 750	7.15 m
	-1.5 kg			*8 070	5 970	5 600	3 250	3 660	2 200			3 190	1 940	6.63 m
	-3.0 kg			*5 270	*5 270	*3 990	3 300							5.67 m
Boom 4.72 m 2pcs Arm 2.5 m Shoe 600 mm Undercarriage: LC Counterweight 3 200 kg Dozer: with dozer blade up	7.5 kg			*5 340	*5 340							*4 110	*4 110	4.09 m
	6.0 kg					*4 690	4 220					*3 250	2 800	5.75 m
	4.5 kg			*4 030	*4 030	*4 850	4 130	4 280	2 630			*2 970	2 190	6.68 m
	3.0 kg					*6 030	3 920	4 200	2 550			*2 910	1 920	7.17 m
	1.5 kg					6 320	3 670	4 080	2 450			*3 010	1 830	7.32 m
	0 kg					6 130	3 510	3 990	2 370			3 120	1 860	7.15 m
	-1.5 kg			*8 070	6 330	*5 860	3 450	3 970	2 340			*3 190	2 060	6.63 m
	-3.0 kg			*5 270	*5 270	*3 990	3 500							5.67 m

Notes: 1. Machine in "Fine Mode-F" (Power Boost) for lifting capacities. 2. The above loads are in compliance with SAE J1097 and ISO 10567 Hydraulic Excavator Lifting Capacity Standards. 3. Rated loads do not exceed 87% of hydraulic lifting capacity or 75% of tipping load. 4. Rated loads marked with an asterisk (*) are limited by hydraulic capacity rather than tipping load.

LIFTING CAPACITY ECR145F L

Lifting capacity at the arm end without bucket.

For lifting capacity including bucket, simply subtract actual weight of the direct fit bucket or the bucket with quick coupler from the following values.

	Lifting hook related to ground level	1.5 m		3.0 m		4.5 m		6.0 m		7.5 m		Max.		
		Along UC	Across UC	Along UC	Across UC	Along UC	Across UC	Along UC	Across UC	Along UC	Across UC	Along UC	Across UC	m
Boom 4.72 m 2pcs Arm 2.5 m Shoe 600 mm Undercarriage: LC Counterweight 3 200 kg Dozer: with dozer blade down	7.5 kg			*5 340	*5 340							*4 110	*4 110	4.09 m
	6.0 kg					*4 690	4 540					*3 250	3 010	5.75 m
	4.5 kg			*4 030	*4 030	*4 850	4 450	*4 570	2 820			*2 970	2 350	6.68 m
	3.0 kg					*6 030	4 230	*4 760	2 740			*2 910	2 070	7.17 m
	1.5 kg					*6 670	3 970	*4 940	2 640			*3 010	1 970	7.32 m
	0 kg					*6 680	3 810	*4 830	2 560			*3 270	2 010	7.15 m
	-1.5 kg			*8 070	6 970	*5 860	3 750	*4 110	2 530			*3 190	2 230	6.63 m
	-3.0 kg			*5 270	*5 270	*3 990	3 800							5.67 m
Boom 4.72 m 2pcs Arm 2.5 m Shoe 600 mm Undercarriage: LC Counterweight 3 500 kg Dozer: without dozer blade	7.5 kg			*5 340	*5 340							*4 110	*4 110	4.09 m
	6.0 kg					*4 690	4 160					*3 250	2 750	5.75 m
	4.5 kg			*4 030	*4 030	*4 850	4 070	4 110	2 580			*2 970	2 150	6.68 m
	3.0 kg					*6 030	3 860	4 020	2 510			*2 910	1 890	7.17 m
	1.5 kg					6 050	3 610	3 910	2 400			2 900	1 790	7.32 m
	0 kg					5 860	3 440	3 820	2 320			2 980	1 830	7.15 m
	-1.5 kg			*8 070	6 220	5 800	3 390	3 790	2 300			*3 190	2 020	6.63 m
	-3.0 kg			*5 270	*5 270	*3 990	3 440							5.67 m
Boom 4.72 m 2pcs Arm 2.5 m Shoe 600 mm Undercarriage: LC Counterweight 3 500 kg Dozer: with dozer blade up	7.5 kg			*5 340	*5 340							*4 110	*4 110	4.09 m
	6.0 kg					*4 690	4 370					*3 250	2 910	5.75 m
	4.5 kg			*4 030	*4 030	*4 850	4 280	4 410	2 730			*2 970	2 270	6.68 m
	3.0 kg					*6 030	4 060	4 330	2 650			*2 910	2 000	7.17 m
	1.5 kg					6 520	3 810	4 220	2 550			*3 010	1 910	7.32 m
	0 kg					6 330	3 650	4 130	2 470			3 220	1 940	7.15 m
	-1.5 kg			*8 070	6 590	*5 860	3 600	4 100	2 440			*3 190	2 150	6.63 m
	-3.0 kg			*5 270	*5 270	*3 990	3 650							5.67 m
Boom 4.72 m 2pcs Arm 2.5 m Shoe 600 mm Undercarriage: LC Counterweight 3 500 kg Dozer: with dozer blade down	7.5 kg			*5 340	*5 340							*4 110	*4 110	4.09 m
	6.0 kg					*4 690	4 690					*3 250	3 120	5.75 m
	4.5 kg			*4 030	*4 030	*4 850	4 600	*4 570	2 930			*2 970	2 450	6.68 m
	3.0 kg					*6 030	4 380	*4 760	2 850			*2 910	2 160	7.17 m
	1.5 kg					*6 670	4 120	*4 940	2 740			*3 010	2 050	7.32 m
	0 kg					*6 680	3 960	*4 830	2 660			*3 270	2 100	7.15 m
	-1.5 kg			*8 070	7 240	*5 860	3 900	*4 110	2 640			*3 190	2 320	6.63 m
	-3.0 kg			*5 270	*5 270	*3 990	3 950							5.67 m
Boom 4.72 m 2pcs Arm 2.5 m Shoe 700 mm Undercarriage: LC Counterweight 3 200 kg Dozer: without dozer blade	7.5 kg			*5 340	*5 340							*4 110	*4 110	4.09 m
	6.0 kg					*4 690	4 080					*3 250	2 700	5.75 m
	4.5 kg			*4 030	*4 030	*4 850	3 990	4 050	2 530			*2 970	2 100	6.68 m
	3.0 kg					*6 030	3 780	3 960	2 450			*2 910	1 840	7.17 m
	1.5 kg					5 970	3 530	3 850	2 350			2 860	1 750	7.32 m
	0 kg					5 780	3 370	3 760	2 270			2 930	1 780	7.15 m
	-1.5 kg			*8 070	6 080	5 720	3 310	3 730	2 240			*3 190	1 980	6.63 m
	-3.0 kg			*5 270	*5 270	*3 990	3 360							5.67 m
Boom 4.72 m 2pcs Arm 2.5 m Shoe 700 mm Undercarriage: LC Counterweight 3 200 kg Dozer: with dozer blade up	7.5 kg			*5 340	*5 340							*4 110	*4 110	4.09 m
	6.0 kg					*4 690	4 290					*3 250	2 850	5.75 m
	4.5 kg			*4 030	*4 030	*4 850	4 200	4 360	2 670			*2 970	2 230	6.68 m
	3.0 kg					*6 030	3 980	4 270	2 600			*2 910	1 960	7.17 m
	1.5 kg					6 430	3 740	4 160	2 490			*3 010	1 860	7.32 m
	0 kg					6 240	3 570	4 070	2 410			3 180	1 900	7.15 m
	-1.5 kg			*8 070	6 450	*5 860	3 520	4 040	2 380			*3 190	2 100	6.63 m
	-3.0 kg			*5 270	*5 270	*3 990	3 570							5.67 m
Boom 4.72 m 2pcs Arm 2.5 m Shoe 700 mm Undercarriage: LC Counterweight 3 200 kg Dozer: with dozer blade down	7.5 kg			*5 340	*5 340							*4 110	*4 110	4.09 m
	6.0 kg					*4 690	4 610					*3 250	3 060	5.75 m
	4.5 kg			*4 030	*4 030	*4 850	4 520	*4 570	2 870			*2 970	2 400	6.68 m
	3.0 kg					*6 030	4 300	*4 760	2 790			*2 910	2 110	7.17 m
	1.5 kg					*6 670	4 040	*4 940	2 690			*3 010	2 010	7.32 m
	0 kg					*6 680	3 880	*4 830	2 610			*3 270	2 050	7.15 m
	-1.5 kg			*8 070	7 090	*5 860	3 820	*4 110	2 580			*3 190	2 270	6.63 m
	-3.0 kg			*5 270	*5 270	*3 990	3 870							5.67 m

Notes: 1. Machine in "Fine Mode-F" (Power Boost) for lifting capacities. 2. The above loads are in compliance with SAE J1097 and ISO 10567 Hydraulic Excavator Lifting Capacity Standards. 3. Rated loads do not exceed 87% of hydraulic lifting capacity or 75% of tipping load. 4. Rated loads marked with an asterisk (*) are limited by hydraulic capacity rather than tipping load.

Specifications

LIFTING CAPACITY ECR145F L

Lifting capacity at the arm end without bucket.

For lifting capacity including bucket, simply subtract actual weight of the direct fit bucket or the bucket with quick coupler from the following values.

	Lifting hook related to ground level	1.5 m		3.0 m		4.5 m		6.0 m		7.5 m		Max.		
		Along UC	Across UC	Along UC	Across UC	Along UC	Across UC	Along UC	Across UC	Along UC	Across UC	Along UC	Across UC	m
Boom 4.72 m 2pcs Arm 2.5 m Shoe 700 mm Undercarriage: LC Counterweight 3 500 kg Dozer: without dozer blade	7.5 kg			*5 340	*5 340							*4 110	*4 110	4.09 m
	6.0 kg					*4 690	4 230					*3 250	2 800	5.75 m
	4.5 kg			*4 030	*4 030	*4 850	4 140	4 180	2 630			*2 970	2 190	6.68 m
	3.0 kg					*6 030	3 920	4 100	2 550			*2 910	1 920	7.17 m
	1.5 kg					6 170	3 670	3 980	2 450			2 960	1 830	7.32 m
	0 kg					5 980	3 510	3 890	2 370			3 040	1 860	7.15 m
	-1.5 kg			*8 070	6 340	*5 860	3 460	3 860	2 340			*3 190	2 060	6.63 m
	-3.0 kg			*5 270	*5 270	*3 990	3 510							5.67 m
Boom 4.72 m 2pcs Arm 2.5 m Shoe 700 mm Undercarriage: LC Counterweight 3 500 kg Dozer: with dozer blade up	7.5 kg			*5 340	*5 340							*4 110	*4 110	4.09 m
	6.0 kg					*4 690	4 430					*3 250	2 950	5.75 m
	4.5 kg			*4 030	*4 030	*4 850	4 340	4 490	2 770			*2 970	2 320	6.68 m
	3.0 kg					*6 030	4 130	4 400	2 700			*2 910	2 040	7.17 m
	1.5 kg					6 630	3 880	4 290	2 590			*3 010	1 940	7.32 m
	0 kg					6 440	3 720	4 200	2 510			*3 270	1 980	7.15 m
	-1.5 kg			*8 070	6 700	*5 860	3 660	*4 110	2 490			*3 190	2 190	6.63 m
	-3.0 kg			*5 270	*5 270	*3 990	3 710							5.67 m
Boom 4.72 m 2pcs Arm 2.5 m Shoe 700 mm Undercarriage: LC Counterweight 3 500 kg Dozer: with dozer blade down	7.5 kg			*5 340	*5 340							*4 110	*4 110	4.09 m
	6.0 kg					*4 690	*4 690					*3 250	3 170	5.75 m
	4.5 kg			*4 030	*4 030	*4 850	4 670	*4 570	2 980			*2 970	2 490	6.68 m
	3.0 kg					*6 030	4 450	*4 760	2 900			*2 910	2 200	7.17 m
	1.5 kg					*6 670	4 200	*4 940	2 790			*3 010	2 090	7.32 m
	0 kg					*6 680	4 030	*4 830	2 710			*3 270	2 140	7.15 m
	-1.5 kg			*8 070	7 360	*5 860	3 970	*4 110	2 690			*3 190	2 360	6.63 m
	-3.0 kg			*5 270	*5 270	*3 990	*3 990							5.67 m
Boom 4.72 m 2pcs Arm 3.0 m Shoe 500 mm Undercarriage: LC Counterweight 3 200 kg Dozer: without dozer blade	7.5 kg					*3 980	*3 960					*3 250	*3 250	4.92 m
	6.0 kg					*3 800	*3 800	*3 520	2 490			*2 700	2 230	6.36 m
	4.5 kg					*3 750	*3 750	3 960	2 480			*2 500	1 790	7.21 m
	3.0 kg					*5 040	3 720	3 850	2 390	2 700	1 650	*2 450	1 590	7.67 m
	1.5 kg					5 810	3 450	3 720	2 270	2 650	1 610	2 490	1 510	7.81 m
	0 kg					5 580	3 240	3 610	2 170	2 610	1 570	2 540	1 530	7.65 m
	-1.5 kg			*7 490	5 790	5 470	3 150	3 550	2 120			2 780	1 670	7.17 m
	-3.0 kg			*6 460	5 870	*4 710	3 170	*2 980	2 150			*2 430	2 030	6.29 m
Boom 4.72 m 2pcs Arm 3.0 m Shoe 500 mm Undercarriage: LC Counterweight 3 200 kg Dozer: with dozer blade up	7.5 kg					*3 980	*3 980					*3 250	*3 250	4.92 m
	6.0 kg					*3 800	*3 800	*3 520	2 640			*2 700	2 360	6.36 m
	4.5 kg					*3 750	*3 750	*4 000	2 620			*2 500	1 910	7.21 m
	3.0 kg					*5 040	3 920	4 160	2 530	2 930	1 760	*2 450	1 690	7.67 m
	1.5 kg					6 270	3 650	4 030	2 410	2 880	1 720	*2 520	1 610	7.81 m
	0 kg					6 040	3 440	3 920	2 310	2 840	1 680	*2 710	1 640	7.65 m
	-1.5 kg			*7 490	6 150	5 930	3 350	3 860	2 260			3 020	1 790	7.17 m
	-3.0 kg			*6 460	6 230	*4 710	3 370	*2 980	2 290			*2 430	2 160	6.29 m
Boom 4.72 m 2pcs Arm 3.0 m Shoe 500 mm Undercarriage: LC Counterweight 3 200 kg Dozer: with dozer blade down	7.5 kg					*3 980	*3 980					*3 250	*3 250	4.92 m
	6.0 kg					*3 800	*3 800	*3 520	2 830			*2 700	2 540	6.36 m
	4.5 kg					*3 750	*3 750	*4 000	2 820			*2 500	2 060	7.21 m
	3.0 kg					*5 040	4 230	*4 550	2 720	*3 150	1 900	*2 450	1 830	7.67 m
	1.5 kg					*6 440	3 950	*4 830	2 600	*3 790	1 860	*2 520	1 750	7.81 m
	0 kg					*6 700	3 740	*4 870	2 500	*3 550	1 820	*2 710	1 770	7.65 m
	-1.5 kg			*7 490	6 780	*6 170	3 650	*4 410	2 450			*3 040	1 940	7.17 m
	-3.0 kg			*6 460	*6 460	*4 710	3 660	*2 980	2 480			*2 430	2 340	6.29 m
Boom 4.72 m 2pcs Arm 3.0 m Shoe 500 mm Undercarriage: LC Counterweight 3 500 kg Dozer: without dozer blade	7.5 kg					*3 980	*3 980					*3 250	*3 250	4.92 m
	6.0 kg					*3 800	*3 800	*3 520	2 590			*2 700	2 320	6.36 m
	4.5 kg					*3 750	*3 750	*4 000	2 580			*2 500	1 870	7.21 m
	3.0 kg					*5 040	3 870	3 990	2 490	2 800	1 730	*2 450	1 660	7.67 m
	1.5 kg					6 010	3 590	3 850	2 370	2 750	1 690	*2 520	1 580	7.81 m
	0 kg					5 770	3 390	3 740	2 270	2 710	1 650	2 640	1 610	7.65 m
	-1.5 kg			*7 490	6 050	5 670	3 290	3 690	2 220			2 880	1 750	7.17 m
	-3.0 kg			*6 460	6 120	*4 710	3 310	*2 980	2 250			*2 430	2 120	6.29 m

Notes: 1. Machine in "Fine Mode-F" (Power Boost) for lifting capacities. 2. The above loads are in compliance with SAE J1097 and ISO 10567 Hydraulic Excavator Lifting Capacity Standards. 3. Rated loads do not exceed 87% of hydraulic lifting capacity or 75% of tipping load. 4. Rated loads marked with an asterisk (*) are limited by hydraulic capacity rather than tipping load.

LIFTING CAPACITY ECR145F L

Lifting capacity at the arm end without bucket.

For lifting capacity including bucket, simply subtract actual weight of the direct fit bucket or the bucket with quick coupler from the following values.

	Lifting hook related to ground level	1.5 m		3.0 m		4.5 m		6.0 m		7.5 m		Max.		
		Along UC	Across UC	Along UC	Across UC	Along UC	Across UC	Along UC	Across UC	Along UC	Across UC	Along UC	Across UC	m
Boom 4.72 m 2pcs Arm 3.0 m Shoe 500 mm Undercarriage: LC Counterweight 3 500 kg Dozer: with dozer blade up	7.5 kg					*3 980	*3 980					*3 250	*3 250	4.92 m
	6.0 kg					*3 800	*3 800	*3 520	2 740			*2 700	2 450	6.36 m
	4.5 kg					*3 750	*3 750	*4 000	2 720			*2 500	1 990	7.21 m
	3.0 kg					*5 040	4 070	4 290	2 630	3 030	1 840	*2 450	1 770	7.67 m
	1.5 kg					*6 440	3 790	4 160	2 510	2 980	1 800	*2 520	1 690	7.81 m
	0 kg					6 240	3 590	4 050	2 410	2 940	1 760	*2 710	1 710	7.65 m
	-1.5 kg			*7 490	6 410	6 130	3 500	3 990	2 360			*3 040	1 870	7.17 m
	-3.0 kg			*6 460	*6 460	*4 710	3 510	*2 980	2 390			*2 430	2 260	6.29 m
Boom 4.72 m 2pcs Arm 3.0 m Shoe 500 mm Undercarriage: LC Counterweight 3 500 kg Dozer: with dozer blade down	7.5 kg					*3 980	*3 980					*3 250	*3 250	4.92 m
	6.0 kg					*3 800	*3 800	*3 520	2 930			*2 700	2 640	6.36 m
	4.5 kg					*3 750	*3 750	*4 000	2 920			*2 500	2 140	7.21 m
	3.0 kg					*5 040	4 380	*4 550	2 830	*3 150	1 980	*2 450	1 910	7.67 m
	1.5 kg					*6 440	4 100	*4 830	2 700	*3 790	1 940	*2 520	1 820	7.81 m
	0 kg					*6 700	3 890	*4 870	2 600	*3 550	1 900	*2 710	1 850	7.65 m
	-1.5 kg			*7 490	7 050	*6 170	3 800	*4 410	2 550			*3 040	2 020	7.17 m
	-3.0 kg			*6 460	*6 460	*4 710	3 820	*2 980	2 580			*2 430	*2 430	6.29 m
Boom 4.72 m 2pcs Arm 3.0 m Shoe 600 mm Undercarriage: LC Counterweight 3 200 kg Dozer: without dozer blade	7.5 kg					*3 980	*3 980					*3 250	*3 250	4.92 m
	6.0 kg					*3 800	*3 800	*3 520	2 530			*2 700	2 260	6.36 m
	4.5 kg					*3 750	*3 750	*4 000	2 510			*2 500	1 820	7.21 m
	3.0 kg					*5 040	3 770	3 910	2 420	2 740	1 680	*2 450	1 610	7.67 m
	1.5 kg					5 890	3 490	3 770	2 300	2 690	1 640	*2 520	1 530	7.81 m
	0 kg					5 660	3 290	3 660	2 200	2 650	1 600	2 580	1 560	7.65 m
	-1.5 kg			*7 490	5 870	5 550	3 200	3 610	2 150			2 820	1 700	7.17 m
	-3.0 kg			*6 460	5 950	*4 710	3 210	*2 980	2 180			*2 430	2 060	6.29 m
Boom 4.72 m 2pcs Arm 3.0 m Shoe 600 mm Undercarriage: LC Counterweight 3 200 kg Dozer: with dozer blade up	7.5 kg					*3 980	*3 980					*3 250	*3 250	4.92 m
	6.0 kg					*3 800	*3 800	*3 520	2 670			*2 700	2 390	6.36 m
	4.5 kg					*3 750	*3 750	*4 000	2 650			*2 500	1 930	7.21 m
	3.0 kg					*5 040	3 970	4 220	2 560	2 970	1 790	*2 450	1 720	7.67 m
	1.5 kg					6 360	3 700	4 080	2 440	2 920	1 750	*2 520	1 640	7.81 m
	0 kg					6 120	3 490	3 970	2 340	2 880	1 710	*2 710	1 660	7.65 m
	-1.5 kg			*7 490	6 240	6 020	3 400	3 920	2 290			*3 040	1 810	7.17 m
	-3.0 kg			*6 460	6 310	*4 710	3 420	*2 980	2 320			*2 430	2 190	6.29 m
Boom 4.72 m 2pcs Arm 3.0 m Shoe 600 mm Undercarriage: LC Counterweight 3 200 kg Dozer: with dozer blade down	7.5 kg					*3 980	*3 980					*3 250	*3 250	4.92 m
	6.0 kg					*3 800	*3 800	*3 520	2 870			*2 700	2 570	6.36 m
	4.5 kg					*3 750	*3 750	*4 000	2 850			*2 500	2 080	7.21 m
	3.0 kg					*5 040	4 280	*4 550	2 760	*3 150	1 930	*2 450	1 860	7.67 m
	1.5 kg					*6 440	4 000	*4 830	2 640	*3 790	1 890	*2 520	1 770	7.81 m
	0 kg					*6 700	3 790	*4 870	2 530	*3 550	1 850	*2 710	1 800	7.65 m
	-1.5 kg			*7 490	6 870	*6 170	3 700	*4 410	2 480			*3 040	1 960	7.17 m
	-3.0 kg			*6 460	*6 460	*4 710	3 720	*2 980	2 510			*2 430	2 380	6.29 m
Boom 4.72 m 2pcs Arm 3.0 m Shoe 600 mm Undercarriage: LC Counterweight 3 500 kg Dozer: without dozer blade	7.5 kg					*3 980	*3 980					*3 250	*3 250	4.92 m
	6.0 kg					*3 800	*3 800	*3 520	2 630			*2 700	2 350	6.36 m
	4.5 kg					*3 750	*3 750	*4 000	2 610			*2 500	1 900	7.21 m
	3.0 kg					*5 040	3 910	4 040	2 520	2 840	1 760	*2 450	1 690	7.67 m
	1.5 kg					6 090	3 640	3 910	2 400	2 790	1 710	*2 520	1 610	7.81 m
	0 kg					5 850	3 430	3 800	2 300	2 750	1 680	2 680	1 630	7.65 m
	-1.5 kg			*7 490	6 130	5 750	3 340	3 740	2 250			2 920	1 780	7.17 m
	-3.0 kg			*6 460	6 200	*4 710	3 360	*2 980	2 280			*2 430	2 150	6.29 m
Boom 4.72 m 2pcs Arm 3.0 m Shoe 600 mm Undercarriage: LC Counterweight 3 500 kg Dozer: with dozer blade up	7.5 kg					*3 980	*3 980					*3 250	*3 250	4.92 m
	6.0 kg					*3 800	*3 800	*3 520	2 770			*2 700	2 490	6.36 m
	4.5 kg					*3 750	*3 750	*4 000	2 760			*2 500	2 010	7.21 m
	3.0 kg					*5 040	4 120	4 350	2 660	3 070	1 870	*2 450	1 790	7.67 m
	1.5 kg					*6 440	3 840	4 220	2 540	3 020	1 820	*2 520	1 710	7.81 m
	0 kg					6 320	3 640	4 100	2 440	2 980	1 790	*2 710	1 740	7.65 m
	-1.5 kg			*7 490	6 490	*6 170	3 550	4 050	2 390			*3 040	1 890	7.17 m
	-3.0 kg			*6 460	*6 460	*4 710	3 560	*2 980	2 420			*2 430	2 290	6.29 m

Notes: 1. Machine in "Fine Mode-F" (Power Boost) for lifting capacities. 2. The above loads are in compliance with SAE J1097 and ISO 10567 Hydraulic Excavator Lifting Capacity Standards. 3. Rated loads do not exceed 87% of hydraulic lifting capacity or 75% of tipping load. 4. Rated loads marked with an asterisk (*) are limited by hydraulic capacity rather than tipping load.

Specifications

LIFTING CAPACITY ECR145F L

Lifting capacity at the arm end without bucket.

For lifting capacity including bucket, simply subtract actual weight of the direct fit bucket or the bucket with quick coupler from the following values.

	Lifting hook related to ground level	1.5 m		3.0 m		4.5 m		6.0 m		7.5 m		Max.		
		Along UC	Across UC	Along UC	Across UC	Along UC	Across UC	Along UC	Across UC	Along UC	Across UC	Along UC	Across UC	m
Boom 4.72 m 2pcs Arm 3.0 m Shoe 600 mm Undercarriage: LC Counterweight 3 500 kg Dozer: with dozer blade down	7.5 kg					*3 980	*3 980					*3 250	*3 250	4.92 m
	6.0 kg					*3 800	*3 800	*3 520	2 970			*2 700	2 670	6.36 m
	4.5 kg					*3 750	*3 750	*4 000	2 960			*2 500	2 170	7.21 m
	3.0 kg					*5 040	4 430	*4 550	2 860	*3 150	2 010	*2 450	1 930	7.67 m
	1.5 kg					*6 440	4 150	*4 830	2 740	*3 790	1 970	*2 520	1 850	7.81 m
	0 kg					*6 700	3 940	*4 870	2 640	*3 550	1 930	*2 710	1 880	7.65 m
	-1.5 kg			*7 490	7 140	*6 170	3 850	*4 410	2 590			*3 040	2 050	7.17 m
	-3.0 kg			*6 460	*6 460	*4 710	3 870	*2 980	2 620			*2 430	*2 430	6.29 m
Boom 4.72 m 2pcs Arm 3.0 m Shoe 700 mm Undercarriage: LC Counterweight 3 200 kg Dozer: without dozer blade	7.5 kg					*3 980	*3 980					*3 250	*3 250	4.92 m
	6.0 kg					*3 800	*3 800	*3 520	2 570			*2 700	2 300	6.36 m
	4.5 kg					*3 750	*3 750	*4 000	2 560			*2 500	1 850	7.21 m
	3.0 kg					*5 040	3 830	3 980	2 460	2 790	1 710	*2 450	1 650	7.67 m
	1.5 kg					6 010	3 560	3 850	2 340	2 750	1 670	*2 520	1 570	7.81 m
	0 kg					5 770	3 350	3 740	2 240	2 710	1 630	2 630	1 590	7.65 m
	-1.5 kg			*7 490	5 990	5 660	3 260	3 680	2 190			2 880	1 740	7.17 m
	-3.0 kg			*6 460	6 060	*4 710	3 280	*2 980	2 220			*2 430	2 100	6.29 m
Boom 4.72 m 2pcs Arm 3.0 m Shoe 700 mm Undercarriage: LC Counterweight 3 200 kg Dozer: with dozer blade up	7.5 kg					*3 980	*3 980					*3 250	*3 250	4.92 m
	6.0 kg					*3 800	*3 800	*3 520	2 710			*2 700	2 430	6.36 m
	4.5 kg					*3 750	*3 750	*4 000	2 700			*2 500	1 970	7.21 m
	3.0 kg					*5 040	4 040	4 290	2 610	3 020	1 820	*2 450	1 750	7.67 m
	1.5 kg					*6 440	3 760	4 160	2 490	2 980	1 780	*2 520	1 670	7.81 m
	0 kg					6 230	3 560	4 050	2 390	2 940	1 740	*2 710	1 700	7.65 m
	-1.5 kg			*7 490	6 350	6 130	3 470	3 990	2 340			*3 040	1 850	7.17 m
	-3.0 kg			*6 460	6 430	*4 710	3 480	*2 980	2 370			*2 430	2 240	6.29 m
Boom 4.72 m 2pcs Arm 3.0 m Shoe 700 mm Undercarriage: LC Counterweight 3 200 kg Dozer: with dozer blade down	7.5 kg					*3 980	*3 980					*3 250	*3 250	4.92 m
	6.0 kg					*3 800	*3 800	*3 520	2 920			*2 700	2 620	6.36 m
	4.5 kg					*3 750	*3 750	*4 000	2 900			*2 500	2 120	7.21 m
	3.0 kg					*5 040	4 350	*4 550	2 810	*3 150	1 970	*2 450	1 890	7.67 m
	1.5 kg					*6 440	4 070	*4 830	2 690	*3 790	1 930	*2 520	1 810	7.81 m
	0 kg					*6 700	3 860	*4 870	2 580	*3 550	1 890	*2 710	1 840	7.65 m
	-1.5 kg			*7 490	7 000	*6 170	3 770	*4 410	2 530			*3 040	2 000	7.17 m
	-3.0 kg			*6 460	*6 460	*4 710	3 790	*2 980	2 560			*2 430	2 420	6.29 m
Boom 4.72 m 2pcs Arm 3.0 m Shoe 700 mm Undercarriage: LC Counterweight 3 500 kg Dozer: without dozer blade	7.5 kg					*3 980	*3 980					*3 250	*3 250	4.92 m
	6.0 kg					*3 800	*3 800	*3 520	2 670			*2 700	2 390	6.36 m
	4.5 kg					*3 750	*3 750	*4 000	2 660			*2 500	1 940	7.21 m
	3.0 kg					*5 040	3 980	4 110	2 560	2 890	1 790	*2 450	1 720	7.67 m
	1.5 kg					6 200	3 700	3 980	2 440	2 850	1 750	*2 520	1 640	7.81 m
	0 kg					5 970	3 500	3 870	2 340	2 810	1 710	*2 710	1 660	7.65 m
	-1.5 kg			*7 490	6 240	5 860	3 410	3 820	2 290			2 980	1 820	7.17 m
	-3.0 kg			*6 460	6 320	*4 710	3 420	*2 980	2 320			*2 430	2 200	6.29 m
Boom 4.72 m 2pcs Arm 3.0 m Shoe 700 mm Undercarriage: LC Counterweight 3 500 kg Dozer: with dozer blade up	7.5 kg					*3 980	*3 980					*3 250	*3 250	4.92 m
	6.0 kg					*3 800	*3 800	*3 520	2 810			*2 700	2 530	6.36 m
	4.5 kg					*3 750	*3 750	*4 000	2 800			*2 500	2 050	7.21 m
	3.0 kg					*5 040	4 180	4 420	2 710	3 120	1 900	*2 450	1 830	7.67 m
	1.5 kg					*6 440	3 910	4 290	2 590	3 080	1 860	*2 520	1 740	7.81 m
	0 kg					6 430	3 700	4 180	2 490	3 040	1 820	*2 710	1 770	7.65 m
	-1.5 kg			*7 490	6 610	*6 170	3 610	4 120	2 440			*3 040	1 930	7.17 m
	-3.0 kg			*6 460	*6 460	*4 710	3 630	*2 980	2 470			*2 430	2 330	6.29 m
Boom 4.72 m 2pcs Arm 3.0 m Shoe 700 mm Undercarriage: LC Counterweight 3 500 kg Dozer: with dozer blade down	7.5 kg					*3 980	*3 980					*3 250	*3 250	4.92 m
	6.0 kg					*3 800	*3 800	*3 520	3 020			*2 700	*2 700	6.36 m
	4.5 kg					*3 750	*3 750	*4 000	3 010			*2 500	2 210	7.21 m
	3.0 kg					*5 040	4 500	*4 550	2 910	*3 150	2 050	*2 450	1 970	7.67 m
	1.5 kg					*6 440	4 220	*4 830	2 790	*3 790	2 010	*2 520	1 880	7.81 m
	0 kg					*6 700	4 010	*4 870	2 690	*3 550	1 970	*2 710	1 920	7.65 m
	-1.5 kg			*7 490	7 270	*6 170	3 920	*4 410	2 640			*3 040	2 090	7.17 m
	-3.0 kg			*6 460	*6 460	*4 710	3 940	*2 980	2 670			*2 430	*2 430	6.29 m

Notes: 1. Machine in "Fine Mode-F" (Power Boost) for lifting capacities. 2. The above loads are in compliance with SAE J1097 and ISO 10567 Hydraulic Excavator Lifting Capacity Standards. 3. Rated loads do not exceed 87% of hydraulic lifting capacity or 75% of tipping load. 4. Rated loads marked with an asterisk (*) are limited by hydraulic capacity rather than tipping load.

LIFTING CAPACITY ECR145F LM

Lifting capacity at the arm end without bucket.

For lifting capacity including bucket, simply subtract actual weight of the direct fit bucket or the bucket with quick coupler from the following values.

	Lifting hook related to ground level	1.5 m		3.0 m		4.5 m		6.0 m		7.5 m		Max.			
		Along UC	Across UC	Along UC	Across UC	Along UC	Across UC	Along UC	Across UC	Along UC	Across UC	Along UC	Across UC	m	
Boom 4.6 m Arm 2.1 m Shoe 700 mm Undercarriage: LCM Counterweight 3 200 kg	7.5 kg												*5 700	*5 700	2.77 m
	6.0 kg			*4 700	*4 700	*4 590	4 230						*4 250	3 650	4.93 m
	4.5 kg			*5 640	*5 640	*4 770	4 180						*3 940	2 670	5.99 m
	3.0 kg			*8 250	7 350	*5 590	3 990	4 210	2 610				3 680	2 290	6.54 m
	1.5 kg					6 350	3 780	4 120	2 530				3 500	2 160	6.70 m
	0 kg			*5 560	*5 560	6 200	3 640	4 050	2 470				3 600	2 210	6.51 m
	-1.5 kg	*5 190	*5 190	*9 200	6 610	6 160	3 610						4 100	2 500	5.94 m
	-3.0 kg			*6 950	6 740	*4 760	3 690						*4 180	3 350	4.84 m
Boom 4.6 m Arm 2.1 m Shoe 700 mm Undercarriage: LCM Counterweight 3 500 kg	7.5 kg												*5 700	*5 700	2.77 m
	6.0 kg			*4 700	*4 700	*4 590	4 380						*4 250	3 770	4.93 m
	4.5 kg			*5 640	*5 640	*4 770	4 320						*3 940	2 770	5.99 m
	3.0 kg			*8 250	7 610	*5 590	4 130	4 340	2 710				3 800	2 380	6.54 m
	1.5 kg					*6 470	3 920	4 250	2 630				3 610	2 250	6.70 m
	0 kg			*5 560	*5 560	6 400	3 790	4 180	2 570				3 720	2 300	6.51 m
	-1.5 kg	*5 190	*5 190	*9 200	6 860	6 360	3 750						4 240	2 600	5.94 m
	-3.0 kg			*6 950	*6 950	*4 760	3 830						*4 180	3 480	4.84 m
Boom 4.6 m Arm 2.1 m Shoe 800 mm Undercarriage: LCM Counterweight 3 200 kg	7.5 kg												*5 700	*5 700	2.77 m
	6.0 kg			*4 700	*4 700	*4 590	4 390						*4 250	3 790	4.93 m
	4.5 kg			*5 640	*5 640	*4 770	4 340						*3 940	2 780	5.99 m
	3.0 kg			*8 250	7 640	*5 590	4 150	4 400	2 730				3 850	2 390	6.54 m
	1.5 kg					*6 470	3 940	4 300	2 640				3 660	2 260	6.70 m
	0 kg			*5 560	*5 560	6 480	3 810	4 240	2 580				3 770	2 310	6.51 m
	-1.5 kg	*5 190	*5 190	*9 200	6 900	*6 380	3 770						4 290	2 610	5.94 m
	-3.0 kg			*6 950	*6 950	*4 760	3 850						*4 180	3 500	4.84 m
Boom 4.6 m Arm 2.1 m Shoe 800 mm Undercarriage: LCM Counterweight 3 500 kg	7.5 kg												*5 700	*5 700	2.77 m
	6.0 kg			*4 700	*4 700	*4 590	4 540						*4 250	3 920	4.93 m
	4.5 kg			*5 640	*5 640	*4 770	4 480						*3 940	2 880	5.99 m
	3.0 kg			*8 250	7 900	*5 590	4 300	4 530	2 830				*3 950	2 480	6.54 m
	1.5 kg					*6 470	4 080	4 440	2 740				3 780	2 350	6.70 m
	0 kg			*5 560	*5 560	6 680	3 950	4 370	2 680				3 890	2 400	6.51 m
	-1.5 kg	*5 190	*5 190	*9 200	7 150	*6 380	3 920						4 430	2 710	5.94 m
	-3.0 kg			*6 950	*6 950	*4 760	3 990						*4 180	3 630	4.84 m
Boom 4.6 m Arm 2.1 m Shoe 900 mm Undercarriage: LCM Counterweight 3 200 kg	7.5 kg												*5 700	*5 700	2.77 m
	6.0 kg			*4 700	*4 700	*4 590	4 450						*4 250	3 840	4.93 m
	4.5 kg			*5 640	*5 640	*4 770	4 390						*3 940	2 820	5.99 m
	3.0 kg			*8 250	7 740	*5 590	4 210	4 460	2 760				3 910	2 430	6.54 m
	1.5 kg					*6 470	3 990	4 370	2 680				3 720	2 290	6.70 m
	0 kg			*5 560	*5 560	6 580	3 860	4 300	2 620				3 830	2 350	6.51 m
	-1.5 kg	*5 190	*5 190	*9 200	7 000	*6 380	3 830						4 360	2 650	5.94 m
	-3.0 kg			*6 950	*6 950	*4 760	3 900						*4 180	3 550	4.84 m
Boom 4.6 m Arm 2.1 m Shoe 900 mm Undercarriage: LCM Counterweight 3 500 kg	7.5 kg												*5 700	*5 700	2.77 m
	6.0 kg			*4 700	*4 700	*4 590	*4 590						*4 250	3 970	4.93 m
	4.5 kg			*5 640	*5 640	*4 770	4 540						*3 940	2 920	5.99 m
	3.0 kg			*8 250	8 000	*5 590	4 350	4 590	2 860				*3 950	2 520	6.54 m
	1.5 kg					*6 470	4 140	4 500	2 780				3 830	2 380	6.70 m
	0 kg			*5 560	*5 560	6 780	4 010	4 430	2 720				3 950	2 440	6.51 m
	-1.5 kg	*5 190	*5 190	*9 200	7 250	*6 380	3 970						*4 460	2 750	5.94 m
	-3.0 kg			*6 950	*6 950	*4 760	4 050						*4 180	3 680	4.84 m
Boom 4.6 m Arm 2.5 m Shoe 700 mm Undercarriage: LCM Counterweight 3 200 kg	7.5 kg			*4 760	*4 760								*4 330	*4 330	3.63 m
	6.0 kg					*4 110	*4 110						*3 470	3 150	5.44 m
	4.5 kg			*4 360	*4 360	*4 380	4 230	*4 110	2 690				*3 240	2 410	6.41 m
	3.0 kg			*7 380	*7 380	*5 250	4 030	4 230	2 630				*3 240	2 100	6.93 m
	1.5 kg					*6 230	3 800	4 120	2 530				3 220	1 990	7.08 m
	0 kg			*6 070	*6 070	6 190	3 640	4 030	2 450				3 300	2 020	6.91 m
	-1.5 kg	*4 680	*4 680	*9 700	6 540	6 130	3 580	4 010	2 430				3 690	2 250	6.37 m
	-3.0 kg	*9 140	*9 140	*7 770	6 640	*5 350	3 620						*4 080	2 870	5.36 m

Notes: 1. Machine in "Fine Mode-F" (Power Boost) for lifting capacities. 2. The above loads are in compliance with SAE J1097 and ISO 10567 Hydraulic Excavator Lifting Capacity Standards. 3. Rated loads do not exceed 87% of hydraulic lifting capacity or 75% of tipping load. 4. Rated loads marked with an asterisk (*) are limited by hydraulic capacity rather than tipping load.

Specifications

LIFTING CAPACITY ECR145F LM

Lifting capacity at the arm end without bucket.

For lifting capacity including bucket, simply subtract actual weight of the direct fit bucket or the bucket with quick coupler from the following values.

	Lifting hook related to ground level	1.5 m		3.0 m		4.5 m		6.0 m		7.5 m		Max.		
		Along UC	Across UC	Along UC	Across UC	Along UC	Across UC	Along UC	Across UC	Along UC	Across UC	Along UC	Across UC	m
Boom 4.6 m Arm 2.5 m Shoe 700 mm Undercarriage: LCM Counterweight 3 500 kg	7.5 kg			*4 760	*4 760							*4 330	*4 330	3.63 m
	6.0 kg					*4 110	*4 110					*3 470	3 270	5.44 m
	4.5 kg			*4 360	*4 360	*4 380	4 370	*4 110	2 790			*3 240	2 500	6.41 m
	3.0 kg			*7 380	*7 380	*5 250	4 170	4 360	2 730			*3 240	2 180	6.93 m
	1.5 kg					*6 230	3 940	4 250	2 630			3 330	2 070	7.08 m
	0 kg			*6 070	*6 070	6 390	3 780	4 170	2 550			3 410	2 110	6.91 m
	-1.5 kg	*4 680	*4 680	*9 700	6 800	6 330	3 720	4 140	2 530			3 810	2 340	6.37 m
	-3.0 kg	*9 140	*9 140	*7 770	6 900	*5 350	3 760					*4 080	2 990	5.36 m
Boom 4.6 m Arm 2.5 m Shoe 800 mm Undercarriage: LCM Counterweight 3 200 kg	7.5 kg			*4 760	*4 760							*4 330	*4 330	3.63 m
	6.0 kg					*4 110	*4 110					*3 470	3 280	5.44 m
	4.5 kg			*4 360	*4 360	*4 380	*4 380	*4 110	2 810			*3 240	2 520	6.41 m
	3.0 kg			*7 380	*7 380	*5 250	4 190	*4 380	2 740			*3 240	2 200	6.93 m
	1.5 kg					*6 230	3 960	4 310	2 640			3 380	2 080	7.08 m
	0 kg			*6 070	*6 070	6 480	3 800	4 220	2 570			3 460	2 120	6.91 m
	-1.5 kg	*4 680	*4 680	*9 700	6 830	6 410	3 740	4 190	2 540			3 870	2 350	6.37 m
	-3.0 kg	*9 140	*9 140	*7 770	6 930	*5 350	3 780					*4 080	3 000	5.36 m
Boom 4.6 m Arm 2.5 m Shoe 800 mm Undercarriage: LCM Counterweight 3 500 kg	7.5 kg			*4 760	*4 760							*4 330	*4 330	3.63 m
	6.0 kg					*4 110	*4 110					*3 470	3 390	5.44 m
	4.5 kg			*4 360	*4 360	*4 380	*4 380	*4 110	2 910			*3 240	2 610	6.41 m
	3.0 kg			*7 380	*7 380	*5 250	4 340	*4 380	2 840			*3 240	2 280	6.93 m
	1.5 kg					*6 230	4 110	4 440	2 740			*3 430	2 160	7.08 m
	0 kg			*6 070	*6 070	6 680	3 940	4 360	2 670			3 570	2 210	6.91 m
	-1.5 kg	*4 680	*4 680	*9 700	7 090	*6 550	3 880	4 330	2 640			3 990	2 450	6.37 m
	-3.0 kg	*9 140	*9 140	*7 770	7 190	*5 350	3 930					*4 080	3 120	5.36 m
Boom 4.6 m Arm 2.5 m Shoe 900 mm Undercarriage: LCM Counterweight 3 200 kg	7.5 kg			*4 760	*4 760							*4 330	*4 330	3.63 m
	6.0 kg					*4 110	*4 110					*3 470	3 320	5.44 m
	4.5 kg			*4 360	*4 360	*4 380	*4 380	*4 110	2 850			*3 240	2 550	6.41 m
	3.0 kg			*7 380	*7 380	*5 250	4 250	*4 380	2 780			*3 240	2 230	6.93 m
	1.5 kg					*6 230	4 020	4 370	2 680			3 430	2 110	7.08 m
	0 kg			*6 070	*6 070	6 570	3 850	4 290	2 600			3 520	2 150	6.91 m
	-1.5 kg	*4 680	*4 680	*9 700	6 930	6 510	3 800	4 260	2 580			3 930	2 390	6.37 m
	-3.0 kg	*9 140	*9 140	*7 770	7 030	*5 350	3 840					*4 080	3 050	5.36 m
Boom 4.6 m Arm 2.5 m Shoe 900 mm Undercarriage: LCM Counterweight 3 500 kg	7.5 kg			*4 760	*4 760							*4 330	*4 330	3.63 m
	6.0 kg					*4 110	*4 110					*3 470	3 440	5.44 m
	4.5 kg			*4 360	*4 360	*4 380	*4 380	*4 110	2 950			*3 240	2 640	6.41 m
	3.0 kg			*7 380	*7 380	*5 250	4 390	*4 380	2 880			*3 240	2 310	6.93 m
	1.5 kg					*6 230	4 160	4 510	2 780			*3 430	2 190	7.08 m
	0 kg			*6 070	*6 070	*6 760	4 000	4 420	2 710			3 630	2 240	6.91 m
	-1.5 kg	*4 680	*4 680	*9 700	7 190	*6 550	3 940	4 390	2 680			4 050	2 480	6.37 m
	-3.0 kg	*9 140	*9 140	*7 770	7 280	*5 350	3 980					*4 080	3 160	5.36 m
Boom 4.6 m Arm 3.0 m Shoe 700 mm Undercarriage: LCM Counterweight 3 200 kg	7.5 kg					*3 420	*3 420					*3 410	*3 410	4.50 m
	6.0 kg					*3 540	*3 540	*3 000	2 720			*2 870	2 680	6.05 m
	4.5 kg					*3 860	*3 860	*3 730	2 720			*2 710	2 130	6.94 m
	3.0 kg			*5 650	*5 650	*4 760	4 080	*4 080	2 640			*2 710	1 880	7.41 m
	1.5 kg					*5 860	3 820	4 120	2 530	2 950	1 810	*2 850	1 790	7.56 m
	0 kg			*6 630	6 560	6 190	3 620	4 010	2 430			2 970	1 810	7.39 m
	-1.5 kg	*4 130	*4 130	*8 960	6 460	6 080	3 530	3 960	2 380			3 260	1 980	6.89 m
	-3.0 kg	*7 560	*7 560	*8 600	6 510	*5 840	3 540					*3 880	2 420	5.98 m
Boom 4.6 m Arm 3.0 m Shoe 700 mm Undercarriage: LCM Counterweight 3 500 kg	7.5 kg					*3 420	*3 420					*3 410	*3 410	4.50 m
	6.0 kg					*3 540	*3 540	*3 000	2 820			*2 870	2 780	6.05 m
	4.5 kg					*3 860	*3 860	*3 730	2 820			*2 710	2 220	6.94 m
	3.0 kg			*5 650	*5 650	*4 760	4 220	*4 080	2 740			*2 710	1 960	7.41 m
	1.5 kg					*5 860	3 970	4 250	2 630	3 050	1 890	*2 850	1 860	7.56 m
	0 kg			*6 630	*6 630	6 390	3 770	4 150	2 530			3 070	1 890	7.39 m
	-1.5 kg	*4 130	*4 130	*8 960	6 710	6 280	3 670	4 090	2 480			3 370	2 060	6.89 m
	-3.0 kg	*7 560	*7 560	*8 600	6 770	*5 840	3 680					*3 880	2 520	5.98 m
-4.5 kg			*5 450	*5 450							*3 430	*3 430	4.37 m	

Notes: 1. Machine in "Fine Mode-F" (Power Boost) for lifting capacities. 2. The above loads are in compliance with SAE J1097 and ISO 10567 Hydraulic Excavator Lifting Capacity Standards. 3. Rated loads do not exceed 87% of hydraulic lifting capacity or 75% of tipping load. 4. Rated loads marked with an asterisk (*) are limited by hydraulic capacity rather than tipping load.

LIFTING CAPACITY ECR145F LM

Lifting capacity at the arm end without bucket.

For lifting capacity including bucket, simply subtract actual weight of the direct fit bucket or the bucket with quick coupler from the following values.

	Lifting hook related to ground level	1.5 m		3.0 m		4.5 m		6.0 m		7.5 m		Max.		
		Along UC	Across UC	Along UC	Across UC	Along UC	Across UC	Along UC	Across UC	Along UC	Across UC	Along UC	Across UC	m
Boom 4.6 m Arm 3.0 m Shoe 800 mm Undercarriage: LCM Counterweight 3 200 kg	7.5 kg					*3 420	*3 420					*3 410	*3 410	4.50 m
	6.0 kg					*3 540	*3 540	*3 000	2 840			*2 870	2 790	6.05 m
	4.5 kg					*3 860	*3 860	*3 730	2 830			*2 710	2 230	6.94 m
	3.0 kg			*5 650	*5 650	*4 760	4 240	*4 080	2 750			*2 710	1 970	7.41 m
	1.5 kg					*5 860	3 990	4 310	2 640	3 090	1 900	*2 850	1 870	7.56 m
	0 kg			*6 630	*6 630	6 470	3 790	4 200	2 540			3 120	1 900	7.39 m
	-1.5 kg	*4 130	*4 130	*8 960	6 750	6 360	3 690	4 150	2 490			3 420	2 080	6.89 m
	-3.0 kg	*7 560	*7 560	*8 600	6 800	*5 840	3 700					*3 880	2 540	5.98 m
	-4.5 kg			*5 450	*5 450							*3 430	*3 430	4.37 m
Boom 4.6 m Arm 3.0 m Shoe 800 mm Undercarriage: LCM Counterweight 3 500 kg	7.5 kg					*3 420	*3 420					*3 410	*3 410	4.50 m
	6.0 kg					*3 540	*3 540	*3 000	2 940			*2 870	*2 870	6.05 m
	4.5 kg					*3 860	*3 860	*3 730	2 930			*2 710	2 310	6.94 m
	3.0 kg			*5 650	*5 650	*4 760	4 390	*4 080	2 850			*2 710	2 050	7.41 m
	1.5 kg					*5 860	4 130	4 440	2 740	*3 100	1 970	*2 850	1 950	7.56 m
	0 kg			*6 630	*6 630	*6 600	3 930	4 330	2 640			*3 160	1 980	7.39 m
	-1.5 kg	*4 130	*4 130	*8 960	7 000	6 560	3 840	4 280	2 590			3 530	2 160	6.89 m
	-3.0 kg	*7 560	*7 560	*8 600	7 060	*5 840	3 840					*3 880	2 640	5.98 m
	-4.5 kg			*5 450	*5 450							*3 430	*3 430	4.37 m
Boom 4.6 m Arm 3.0 m Shoe 900 mm Undercarriage: LCM Counterweight 3 200 kg	7.5 kg					*3 420	*3 420					*3 410	*3 410	4.50 m
	6.0 kg					*3 540	*3 540	*3 000	2 870			*2 870	2 830	6.05 m
	4.5 kg					*3 860	*3 860	*3 730	2 870			*2 710	2 260	6.94 m
	3.0 kg			*5 650	*5 650	*4 760	4 300	*4 080	2 790			*2 710	2 000	7.41 m
	1.5 kg					*5 860	4 040	4 370	2 680	*3 100	1 930	*2 850	1 900	7.56 m
	0 kg			*6 630	*6 630	6 570	3 840	4 270	2 580			*3 160	1 930	7.39 m
	-1.5 kg	*4 130	*4 130	*8 960	6 840	6 460	3 750	4 210	2 530			3 470	2 110	6.89 m
	-3.0 kg	*7 560	*7 560	*8 600	6 900	*5 840	3 760					*3 880	2 570	5.98 m
	-4.5 kg			*5 450	*5 450							*3 430	*3 430	4.37 m
Boom 4.6 m Arm 3.0 m Shoe 900 mm Undercarriage: LCM Counterweight 3 500 kg	7.5 kg					*3 420	*3 420					*3 410	*3 410	4.50 m
	6.0 kg					*3 540	*3 540	*3 000	2 970			*2 870	*2 870	6.05 m
	4.5 kg					*3 860	*3 860	*3 730	2 970			*2 710	2 350	6.94 m
	3.0 kg			*5 650	*5 650	*4 760	4 440	*4 080	2 890			*2 710	2 080	7.41 m
	1.5 kg					*5 860	4 190	4 510	2 780	*3 100	2 000	*2 850	1 980	7.56 m
	0 kg			*6 630	*6 630	*6 600	3 990	4 400	2 680			*3 160	2 010	7.39 m
	-1.5 kg	*4 130	*4 130	*8 960	7 100	*6 650	3 890	4 340	2 630			3 580	2 190	6.89 m
	-3.0 kg	*7 560	*7 560	*8 600	7 160	*5 840	3 900					*3 880	2 680	5.98 m
	-4.5 kg			*5 450	*5 450							*3 430	*3 430	4.37 m

Notes: 1. Machine in "Fine Mode-F" (Power Boost) for lifting capacities. 2. The above loads are in compliance with SAE J1097 and ISO 10567 Hydraulic Excavator Lifting Capacity Standards. 3. Rated loads do not exceed 87% of hydraulic lifting capacity or 75% of tipping load. 4. Rated loads marked with an asterisk (*) are limited by hydraulic capacity rather than tipping load.

Specifications

LIFTING CAPACITY ECR145F LM

Lifting capacity at the arm end without bucket.

For lifting capacity including bucket, simply subtract actual weight of the direct fit bucket or the bucket with quick coupler from the following values.

	Lifting hook related to ground level	1.5 m		3.0 m		4.5 m		6.0 m		7.5 m		Max.		
		Along UC	Across UC	Along UC	Across UC	Along UC	Across UC	Along UC	Across UC	Along UC	Across UC	Along UC	Across UC	m
Boom 4.72 m 2pcs Arm 2.1 m Shoe 700 mm Undercarriage: LCM Counterweight 3 200 kg	7.5 kg			*6 210	*6 210							*5 410	*5 410	3.31 m
	6.0 kg			*5 310	*5 310	*5 440	4 270					*4 020	3 320	5.24 m
	4.5 kg			*5 440	*5 440	*5 640	4 200	4 310	2 680			*3 630	2 500	6.24 m
	3.0 kg					*6 290	3 990	4 240	2 620			3 520	2 170	6.77 m
	1.5 kg					6 380	3 760	4 140	2 530			3 350	2 060	6.93 m
	0 kg					6 230	3 630	4 070	2 460			3 450	2 110	6.75 m
	-1.5 kg			*7 200	6 610	*5 520	3 600	*3 680	2 460			*3 300	2 370	6.20 m
Boom 4.72 m 2pcs Arm 2.1 m Shoe 700 mm Undercarriage: LCM Counterweight 3 500 kg	7.5 kg			*6 210	*6 210							*5 410	*5 410	3.31 m
	6.0 kg			*5 310	*5 310	*5 440	4 420					*4 020	3 430	5.24 m
	4.5 kg			*5 440	*5 440	*5 640	4 340	4 440	2 780			*3 630	2 590	6.24 m
	3.0 kg					*6 290	4 130	4 370	2 720			*3 550	2 250	6.77 m
	1.5 kg					6 580	3 910	4 270	2 630			3 460	2 140	6.93 m
	0 kg					6 430	3 770	4 200	2 560			3 570	2 190	6.75 m
	-1.5 kg			*7 200	6 870	*5 520	3 750	*3 680	2 560			*3 300	2 460	6.20 m
Boom 4.72 m 2pcs Arm 2.1 m Shoe 800 mm Undercarriage: LCM Counterweight 3 200 kg	7.5 kg			*6 210	*6 210							*5 410	*5 410	3.31 m
	6.0 kg			*5 310	*5 310	*5 440	4 440					*4 020	3 450	5.24 m
	4.5 kg			*5 440	*5 440	*5 640	4 360	4 500	2 790			*3 630	2 610	6.24 m
	3.0 kg					*6 290	4 150	4 430	2 730			*3 550	2 270	6.77 m
	1.5 kg					6 670	3 930	4 330	2 640			3 510	2 150	6.93 m
	0 kg					6 510	3 790	4 260	2 570			3 620	2 200	6.75 m
	-1.5 kg			*7 200	6 900	*5 520	3 770	*3 680	2 570			*3 300	2 480	6.20 m
Boom 4.72 m 2pcs Arm 2.1 m Shoe 800 mm Undercarriage: LCM Counterweight 3 500 kg	7.5 kg			*6 210	*6 210							*5 410	*5 410	3.31 m
	6.0 kg			*5 310	*5 310	*5 440	4 580					*4 020	3 570	5.24 m
	4.5 kg			*5 440	*5 440	*5 640	4 500	4 630	2 890			*3 630	2 700	6.24 m
	3.0 kg					*6 290	4 300	4 560	2 830			*3 550	2 350	6.77 m
	1.5 kg					*6 780	4 070	4 460	2 740			3 620	2 230	6.93 m
	0 kg					*6 580	3 940	4 390	2 670			3 730	2 290	6.75 m
	-1.5 kg			*7 200	7 160	*5 520	3 910	*3 680	2 670			*3 300	2 570	6.20 m
Boom 4.72 m 2pcs Arm 2.1 m Shoe 900 mm Undercarriage: LCM Counterweight 3 200 kg	7.5 kg			*6 210	*6 210							*5 410	*5 410	3.31 m
	6.0 kg			*5 310	*5 310	*5 440	4 490					*4 020	3 500	5.24 m
	4.5 kg			*5 440	*5 440	*5 640	4 420	4 560	2 830			*3 630	2 640	6.24 m
	3.0 kg					*6 290	4 210	4 490	2 770			*3 550	2 300	6.77 m
	1.5 kg					6 760	3 980	4 400	2 680			3 560	2 180	6.93 m
	0 kg					*6 580	3 850	4 320	2 610			3 670	2 240	6.75 m
	-1.5 kg			*7 200	7 000	*5 520	3 820	*3 680	2 610			*3 300	2 510	6.20 m
Boom 4.72 m 2pcs Arm 2.1 m Shoe 900 mm Undercarriage: LCM Counterweight 3 500 kg	7.5 kg			*6 210	*6 210							*5 410	*5 410	3.31 m
	6.0 kg			*5 310	*5 310	*5 440	4 640					*4 020	3 610	5.24 m
	4.5 kg			*5 440	*5 440	*5 640	4 560	4 690	2 930			*3 630	2 740	6.24 m
	3.0 kg					*6 290	4 350	4 630	2 870			*3 550	2 390	6.77 m
	1.5 kg					*6 780	4 130	4 530	2 780			3 670	2 270	6.93 m
	0 kg					*6 580	3 990	4 460	2 710			3 780	2 320	6.75 m
	-1.5 kg			*7 200	*7 200	*5 520	3 970	*3 680	2 710			*3 300	2 610	6.20 m
Boom 4.72 m 2pcs Arm 2.5 m Shoe 700 mm Undercarriage: LCM Counterweight 3 200 kg	7.5 kg			*5 340	*5 340							*4 110	*4 110	4.09 m
	6.0 kg					*4 690	4 340					*3 250	2 890	5.75 m
	4.5 kg			*4 030	*4 030	*4 850	4 250	4 350	2 710			*2 970	2 260	6.68 m
	3.0 kg					*6 030	4 030	4 260	2 630			*2 910	1 990	7.17 m
	1.5 kg					6 410	3 790	4 150	2 530			*3 010	1 890	7.32 m
	0 kg					6 230	3 620	4 060	2 450			3 170	1 930	7.15 m
	-1.5 kg			*8 070	6 540	*5 860	3 570	4 030	2 420			*3 190	2 130	6.63 m
-3.0 kg			*5 270	*5 270	*3 990	3 620							5.67 m	
Boom 4.72 m 2pcs Arm 2.5 m Shoe 700 mm Undercarriage: LCM Counterweight 3 500 kg	7.5 kg			*5 340	*5 340							*4 110	*4 110	4.09 m
	6.0 kg					*4 690	4 480					*3 250	2 990	5.75 m
	4.5 kg			*4 030	*4 030	*4 850	4 390	4 480	2 810			*2 970	2 350	6.68 m
	3.0 kg					*6 030	4 180	4 390	2 730			*2 910	2 070	7.17 m
	1.5 kg					6 610	3 930	4 280	2 630			*3 010	1 970	7.32 m
	0 kg					6 420	3 770	4 190	2 550			*3 270	2 010	7.15 m
	-1.5 kg			*8 070	6 790	*5 860	3 710	*4 110	2 520			*3 190	2 220	6.63 m
-3.0 kg			*5 270	*5 270	*3 990	3 760							5.67 m	

Notes: 1. Machine in "Fine Mode-F" (Power Boost) for lifting capacities. 2. The above loads are in compliance with SAE J1097 and ISO 10567 Hydraulic Excavator Lifting Capacity Standards. 3. Rated loads do not exceed 87% of hydraulic lifting capacity or 75% of tipping load. 4. Rated loads marked with an asterisk (*) are limited by hydraulic capacity rather than tipping load.

LIFTING CAPACITY ECR145F LM

Lifting capacity at the arm end without bucket.

For lifting capacity including bucket, simply subtract actual weight of the direct fit bucket or the bucket with quick coupler from the following values.

	Lifting hook related to ground level	1.5 m		3.0 m		4.5 m		6.0 m		7.5 m		Max.		
		Along UC	Across UC	Along UC	Across UC	Along UC	Across UC	Along UC	Across UC	Along UC	Across UC	Along UC	Across UC	m
Boom 4.72 m 2pcs Arm 2.5 m Shoe 800 mm Undercarriage: LCM Counterweight 3 200 kg	7.5 kg			*5 340	*5 340							*4 110	*4 110	4.09 m
	6.0 kg					*4 690	4 500					*3 250	3 000	5.75 m
	4.5 kg			*4 030	*4 030	*4 850	4 410	4 540	2 820			*2 970	2 360	6.68 m
	3.0 kg					*6 030	4 200	4 450	2 740			*2 910	2 080	7.17 m
	1.5 kg					*6 670	3 950	4 340	2 640			*3 010	1 980	7.32 m
	0 kg					6 510	3 790	4 250	2 560			*3 270	2 020	7.15 m
	-1.5 kg			*8 070	6 830	*5 860	3 730	*4 110	2 530			*3 190	2 230	6.63 m
	-3.0 kg			*5 270	*5 270	*3 990	3 780							5.67 m
Boom 4.72 m 2pcs Arm 2.5 m Shoe 800 mm Undercarriage: LCM Counterweight 3 500 kg	7.5 kg			*5 340	*5 340							*4 110	*4 110	4.09 m
	6.0 kg					*4 690	4 650					*3 250	3 110	5.75 m
	4.5 kg			*4 030	*4 030	*4 850	4 560	*4 570	2 920			*2 970	2 450	6.68 m
	3.0 kg					*6 030	4 340	4 580	2 840			*2 910	2 160	7.17 m
	1.5 kg					*6 670	4 090	4 470	2 740			*3 010	2 060	7.32 m
	0 kg					*6 680	3 930	4 380	2 660			*3 270	2 100	7.15 m
	-1.5 kg			*8 070	7 080	*5 860	3 880	*4 110	2 630			*3 190	2 320	6.63 m
	-3.0 kg			*5 270	*5 270	*3 990	3 930							5.67 m
Boom 4.72 m 2pcs Arm 2.5 m Shoe 900 mm Undercarriage: LCM Counterweight 3 200 kg	7.5 kg			*5 340	*5 340							*4 110	*4 110	4.09 m
	6.0 kg					*4 690	4 560					*3 250	3 050	5.75 m
	4.5 kg			*4 030	*4 030	*4 850	4 470	*4 570	2 860			*2 970	2 390	6.68 m
	3.0 kg					*6 030	4 250	4 510	2 780			*2 910	2 110	7.17 m
	1.5 kg					*6 670	4 010	4 400	2 680			*3 010	2 010	7.32 m
	0 kg					6 610	3 840	4 310	2 600			*3 270	2 050	7.15 m
	-1.5 kg			*8 070	6 930	*5 860	3 790	*4 110	2 570			*3 190	2 270	6.63 m
	-3.0 kg			*5 270	*5 270	*3 990	3 840							5.67 m
Boom 4.72 m 2pcs Arm 2.5 m Shoe 900 mm Undercarriage: LCM Counterweight 3 500 kg	7.5 kg			*5 340	*5 340							*4 110	*4 110	4.09 m
	6.0 kg					*4 690	*4 690					*3 250	3 150	5.75 m
	4.5 kg			*4 030	*4 030	*4 850	4 610	*4 570	2 960			*2 970	2 480	6.68 m
	3.0 kg					*6 030	4 400	4 650	2 880			*2 910	2 190	7.17 m
	1.5 kg					*6 670	4 150	4 530	2 780			*3 010	2 090	7.32 m
	0 kg					*6 680	3 990	4 440	2 700			*3 270	2 130	7.15 m
	-1.5 kg			*8 070	7 180	*5 860	3 930	*4 110	2 670			*3 190	2 360	6.63 m
	-3.0 kg			*5 270	*5 270	*3 990	3 980							5.67 m
Boom 4.72 m 2pcs Arm 3.0 m Shoe 700 mm Undercarriage: LCM Counterweight 3 200 kg	7.5 kg					*3 980	*3 980					*3 250	*3 250	4.92 m
	6.0 kg					*3 800	*3 800	*3 520	2 750			*2 700	2 470	6.36 m
	4.5 kg					*3 750	*3 750	*4 000	2 740			*2 500	2 000	7.21 m
	3.0 kg					*5 040	4 090	4 280	2 640	3 020	1 850	*2 450	1 780	7.67 m
	1.5 kg					*6 440	3 820	4 150	2 520	2 970	1 810	*2 520	1 700	7.81 m
	0 kg					6 220	3 610	4 040	2 420	2 930	1 770	*2 710	1 720	7.65 m
	-1.5 kg			*7 490	6 440	6 110	3 520	3 980	2 370			*3 040	1 880	7.17 m
	-3.0 kg			*6 460	*6 460	*4 710	3 530	*2 980	2 400			*2 430	2 270	6.29 m
Boom 4.72 m 2pcs Arm 3.0 m Shoe 700 mm Undercarriage: LCM Counterweight 3 500 kg	7.5 kg					*3 980	*3 980					*3 250	*3 250	4.92 m
	6.0 kg					*3 800	*3 800	*3 520	2 850			*2 700	2 560	6.36 m
	4.5 kg					*3 750	*3 750	*4 000	2 840			*2 500	2 080	7.21 m
	3.0 kg					*5 040	4 230	4 410	2 740	3 120	1 930	*2 450	1 850	7.67 m
	1.5 kg					*6 440	3 960	4 280	2 620	3 070	1 890	*2 520	1 770	7.81 m
	0 kg					6 420	3 750	4 170	2 520	3 030	1 850	*2 710	1 800	7.65 m
	-1.5 kg			*7 490	6 700	*6 170	3 660	4 110	2 470			*3 040	1 960	7.17 m
	-3.0 kg			*6 460	*6 460	*4 710	3 680	*2 980	2 500			*2 430	2 370	6.29 m
Boom 4.72 m 2pcs Arm 3.0 m Shoe 800 mm Undercarriage: LCM Counterweight 3 200 kg	7.5 kg					*3 980	*3 980					*3 250	*3 250	4.92 m
	6.0 kg					*3 800	*3 800	*3 520	2 860			*2 700	2 570	6.36 m
	4.5 kg					*3 750	*3 750	*4 000	2 850			*2 500	2 090	7.21 m
	3.0 kg					*5 040	4 250	4 470	2 760	*3 150	1 940	*2 450	1 860	7.67 m
	1.5 kg					*6 440	3 980	4 340	2 640	3 110	1 900	*2 520	1 780	7.81 m
	0 kg					6 500	3 770	4 230	2 540	3 070	1 860	*2 710	1 810	7.65 m
	-1.5 kg			*7 490	6 730	*6 170	3 680	4 170	2 490			*3 040	1 970	7.17 m
	-3.0 kg			*6 460	*6 460	*4 710	3 700	*2 980	2 520			*2 430	2 380	6.29 m

Notes: 1. Machine in "Fine Mode-F" (Power Boost) for lifting capacities. 2. The above loads are in compliance with SAE J1097 and ISO 10567 Hydraulic Excavator Lifting Capacity Standards. 3. Rated loads do not exceed 87% of hydraulic lifting capacity or 75% of tipping load. 4. Rated loads marked with an asterisk (*) are limited by hydraulic capacity rather than tipping load.

Specifications

LIFTING CAPACITY ECR145F LM

Lifting capacity at the arm end without bucket.

For lifting capacity including bucket, simply subtract actual weight of the direct fit bucket or the bucket with quick coupler from the following values.

	Lifting hook related to ground level	1.5 m		3.0 m		4.5 m		6.0 m		7.5 m		Max.		
		Along UC	Across UC	Along UC	Across UC	Along UC	Across UC	Along UC	Across UC	Along UC	Across UC	Along UC	Across UC	m
Boom 4.72 m 2pcs Arm 3.0 m Shoe 800 mm Undercarriage: LCM Counterweight 3 500 kg	7.5 kg					*3 980	*3 980					*3 250	*3 250	4.92 m
	6.0 kg					*3 800	*3 800	*3 520	2 960			*2 700	2 670	6.36 m
	4.5 kg					*3 750	*3 750	*4 000	2 950			*2 500	2 170	7.21 m
	3.0 kg					*5 040	4 400	*4 550	2 860	*3 150	2 020	*2 450	1 940	7.67 m
	1.5 kg					*6 440	4 120	4 470	2 740	3 210	1 970	*2 520	1 850	7.81 m
	0 kg					6 700	3 920	4 360	2 640	3 170	1 930	*2 710	1 880	7.65 m
	-1.5 kg			*7 490	6 990	*6 170	3 830	4 300	2 590			*3 040	2 050	7.17 m
	-3.0 kg			*6 460	*6 460	*4 710	3 840	*2 980	2 620			*2 430	*2 430	6.29 m
Boom 4.72 m 2pcs Arm 3.0 m Shoe 900 mm Undercarriage: LCM Counterweight 3 200 kg	7.5 kg					*3 980	*3 980					*3 250	*3 250	4.92 m
	6.0 kg					*3 800	*3 800	*3 520	2 900			*2 700	2 610	6.36 m
	4.5 kg					*3 750	*3 750	*4 000	2 890			*2 500	2 120	7.21 m
	3.0 kg					*5 040	4 310	4 530	2 800	*3 150	1 970	*2 450	1 890	7.67 m
	1.5 kg					*6 440	4 030	4 400	2 680	3 160	1 930	*2 520	1 810	7.81 m
	0 kg					6 600	3 830	4 290	2 570	3 120	1 890	*2 710	1 840	7.65 m
	-1.5 kg			*7 490	6 830	*6 170	3 740	4 230	2 520			*3 040	2 000	7.17 m
	-3.0 kg			*6 460	*6 460	*4 710	3 750	*2 980	2 550			*2 430	2 420	6.29 m
Boom 4.72 m 2pcs Arm 3.0 m Shoe 900 mm Undercarriage: LCM Counterweight 3 500 kg	7.5 kg					*3 980	*3 980					*3 250	*3 250	4.92 m
	6.0 kg					*3 800	*3 800	*3 520	3 000			*2 700	*2 700	6.36 m
	4.5 kg					*3 750	*3 750	*4 000	2 990			*2 500	2 200	7.21 m
	3.0 kg					*5 040	4 450	*4 550	2 900	*3 150	2 040	*2 450	1 970	7.67 m
	1.5 kg					*6 440	4 180	4 530	2 780	3 260	2 000	*2 520	1 880	7.81 m
	0 kg					*6 700	3 970	4 420	2 670	3 220	1 960	*2 710	1 910	7.65 m
	-1.5 kg			*7 490	7 090	*6 170	3 880	4 370	2 620			*3 040	2 080	7.17 m
	-3.0 kg			*6 460	*6 460	*4 710	3 900	*2 980	2 650			*2 430	*2 430	6.29 m

Notes: 1. Machine in "Fine Mode-F" (Power Boost) for lifting capacities. 2. The above loads are in compliance with SAE J1097 and ISO 10567 Hydraulic Excavator Lifting Capacity Standards. 3. Rated loads do not exceed 87% of hydraulic lifting capacity or 75% of tipping load. 4. Rated loads marked with an asterisk (*) are limited by hydraulic capacity rather than tipping load.



ECR145

ACTIVE
CONTOUR

Equipment

STANDARD AND OPTIONAL EQUIPMENT

• = Standard / o = Optional

Engine

Turbocharged, 4 stroke diesel engine with water cooling, direct injection and charged air cooler that meets EU StageV requirements	•
Electric cooling fan with reversible function	•
Fuel shut off valve	•
Fuel filter and water separator	•
Engine block heater	o
Coolant heater by diesel	o
Automatic engine shutdown	o
Delayed engine Shutdown	o
Water separator with heater	o
Arctic regeneration	o
Oil sampling for engine oil	o

Electric / electronic control system

Anti-theft with code lock system	•
Alternator, 180 A	•
Automatic idling system	•
Lock Out / Tag Out function on main battery switch	•
Standard light	•
Batteries, 2 x 12 V / 100 Ah	•
Start motor, 24 V / 5.5 kW	•
Basic light package	o
Advanced light package	o
Deluxe light package	o
Arm light	o
LH light	o

Undercarriage and structures

3-point side access	•
Direct filling DEF (AdBlue) / Sight gauge and splash guard	•
Access way with handrail	•
Hydraulic track adjusters	•
Greased and sealed track link	•
500 / 600 / 700 / 750 mm with triple grousers	o
600 / 700 mm HD	o
500 / 600 mm rubber pad & add on rubber pad	o
GP / HD under cover	o
GP / HD Belly cover	o
3 200 kg counterweight	•
3 500 kg counterweight	o
Dozer blade	o

STANDARD AND OPTIONAL EQUIPMENT

• = Standard / o = Optional

Hydraulic system

EH(Electro-Hydraulic) control system	•
New work mode with 10 steps	•
Auto power boost	•
One touch power boost	•
Priority Adjustment	•
Boom down speed control	•
Shock reduction function	•
Hose rupture valve for boom	•
Hose rupture valve for arm	•
Joystick, Semi-long / 4 switch / 4 switch & 1 proportional / Simple L8 / L8	o
Hydraulic oil mineral 32 / 46 / 68	o
Longlife hyd oil mineral 32 / 46 / 68	o
Hydraulic oil bio 46	o
Pattern change	o
Boom float function	o
Straight travel pedal	o
Comfort driving control	o
Creep mode	o
Dedicated drain line	o
Variable X3 P-Q control	o

Cab and interior

Keyless engine start and stop	•
8" HD display	•
ROPS certified cab	•
Tiltable left console	•
Digital hour meter	•
Various storage space with cool/heated	•
Standard armrest	•
Wireless mobile charger with Kinematic sensor package option	o
1 piece wind shield cab	o
Cabin large mirror, Heated	o
Cabin large mirror	o
Basic / Premium / Deluxe seat	o
Deluxe armrest	o
Seat belt, 2 inch 2 point / 3 inch 2 point	o
Climate control-HEPA filter	o
Radio with MP3/USB/Bluetooth	o
Front rain shield	o
Sun screen	o
Lower wiper	o
Sun shield, roof hatch	o
Foot rest, High mount	o
FOG (Falling Object Guard)	o
FOPS (Falling Object Protection Structure)	o
Safety net	o

STANDARD AND OPTIONAL EQUIPMENT

• = Standard / o = Optional

Digging equipment

4.6 m mono boom	•
4.72 m 2-piece boom	o
2.5 m arm	•
2.1 m / 3.0 m arm	o
Linkage	•
Likage with lifting eye	o

Machine controls

Kinematic sensor package	o
Volvo Co-Pilot 2nd display, 12.8" touchable Full HD	o
Dig Assist, Start	o
Dig Assist, 2D	o
Dig Assist, In-Field Design	o
Dig Assist, Topcon 3D-MC	o
Dig Assist, Infield-Design Advanced	o
Dig Assist, On-Board Weighing	o
Volvo Active Control	o
Dig Assist, Boundary Limit	o

Safety and security

Travel alarm, beep / white noise	o
Flashing beacon, LED	o
Green light beacon	o
Rear view camera	•
Side view camera	o
HD VSV (Volvo Smart View)	o
HD VSV with obstacle detection	o
Provision, HD VSV with obstacle detection	o

Service and maintenance

Fuel filler pump	o
Jump start connector	o
Auto lubrication system	o
Tool kit	o

Not all products are available in all markets. Under our policy of continuous improvement, we reserve the right to change specifications and design without prior notice. The illustrations do not necessarily show the standard version of the machine.

V O L V O